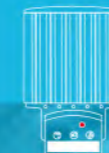
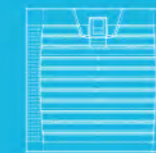


INNOVATION-QUALITY-GLOBAL



400-671-6715

上海

电话: 0086 21-69512240 69512241
传真: 0086 21-36333839 邮编: 201802

昆山

电话: 0086 0512-86169555
传真: 0086 0512-86169556 邮编: 215331

邮箱: info@linkwell.org, linkwell@linkwell.org
网址: www.cnlinkwell.com, www.linkwell.org

☆ 为改进产品, 本选型手册所载产品信息仅供参考, 产品图片及尺寸请以实物为准。若有变更, 不作另行通知。版权所有, 仿冒必究。

Product Catalog 11

Cabinet ventilation

Cabinet ventilation system expert

LINKWELL is the system supplier, with energy-saving, environmental protection, efficient product performance, to meet the requirements of cabinet ventilation system.



LK3238 series fan-and-filter



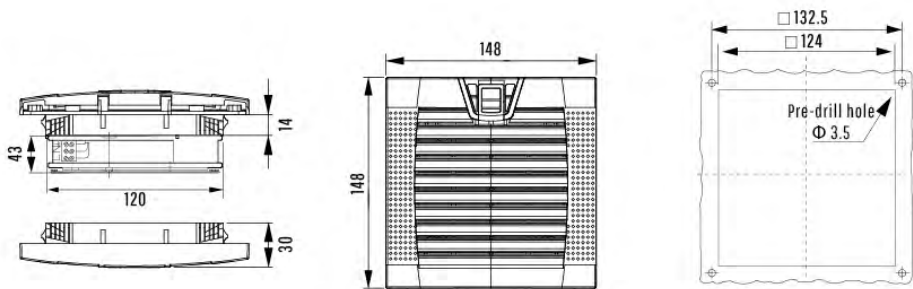
LK3238.300



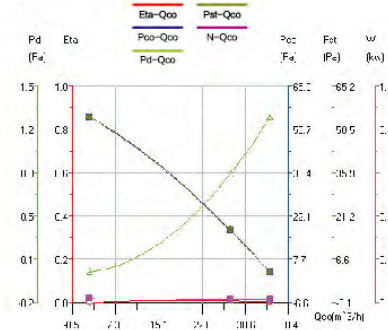
LK3238.230



Dimensions



Characteristics of Static Pressure



LK3239 series fan-and-filter



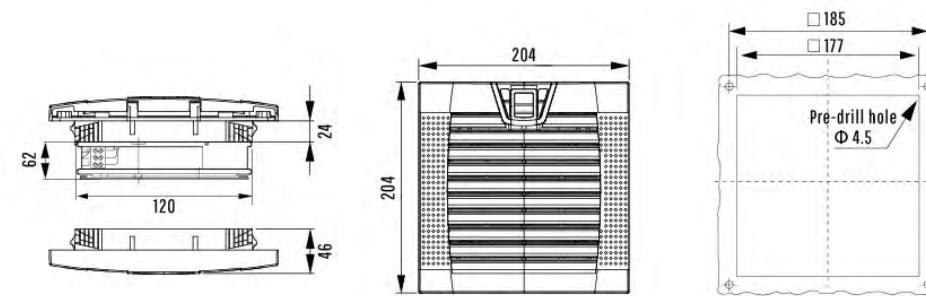
LK3239.300



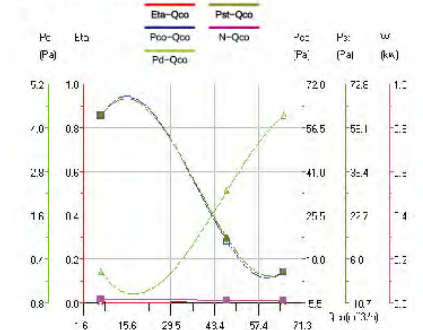
LK3239.230



Dimensions



Characteristics of Static Pressure



Model No.fan-and-filter unit LK	LK3238.230	LLK3238.115	LK3238.024
Rated operating voltage V	220V-240V	110V-120V	24V
Frequency Hz	50/60	50/60	-
Air throughput,unimpeded air flow	65/85m³/h	65/85m³/h	85m³/h
Air throughput with Exit filter including standard filter mat	1×LK3238.300:55/70m³/h		
Axial fan	Self-starting shaded pole motor		DC motor
Rated current max.	0.12A/0.11A	0.24A/0.22A	0.35A
Rated Power	19/18W	19/18W	7.7W
Noise level	41/42dB(A)	41/42dB(A)	41dB(A)
Operating temperature range	-30 °C - +70 °C	-30 °C - +70 °C	-30 °C - +70 °C
Model No. Exit filter	LK3238.300	LK3238.300	LK3238.300
Material	Made of injection-moulded thermoplastic, customizable flame retardant material (UL94-V0)		
Air flow direction	air-in as default; air-out optional		
Protection Level	IP54		

Model No.fan-and-filter unit LK	LK3239.230	LK3239.115	LK3239.024
Rated operating voltage V	220V-240V	110V-120V	24V
Frequency Hz	50/60	50/60	-
Air throughput,unimpeded air flow	105/126m³/h	105/126m³/h	126m³/h
Air throughput with Exit filter including standard filter mat	1×LK3239.300:78/90m³/h		
Axial fan	Self-starting shaded pole motor		DC motor
Rated current max.	0.12A/0.11A	0.24A/0.22A	0.35A
Rated Power	19/18W	19/18W	7.7W
Noise level	41/42dB(A)	41/42dB(A)	41dB(A)
Operating temperature range	-30 °C - +70 °C	-30 °C - +70 °C	-30 °C - +70 °C
Model No. Exit filter	LK3239.300	LK3239.300	LK3239.300
Material	Made of injection-moulded thermoplastic, customizable flame retardant material (UL94-V0)		
Air flow direction	air-in as default; air-out optional		
Protection Level	IP54		

LK3240-P series fan-and-filter



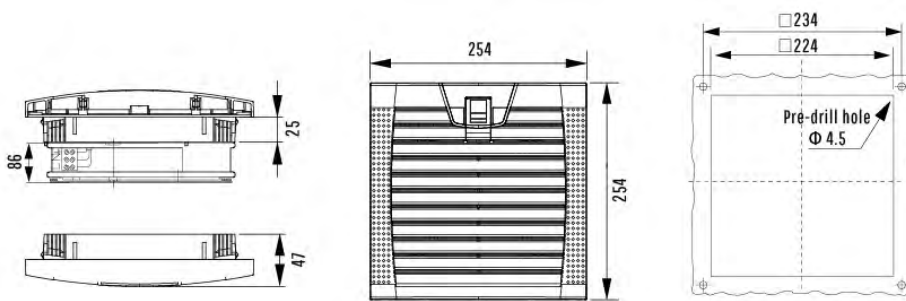
LK3240.300



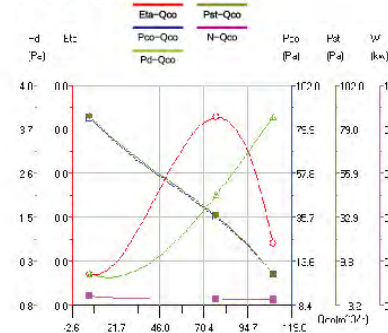
LK3240-P.230



Dimensions



Characteristics of Static Pressure



Model No.fan-and-filter unit LK	LK3240-P.230	LK3240-P.230	LK3240-P.024
Rated operating voltage V	220V-240V	220V-240V	24V
Frequency Hz	50/60	50/60	-
Air throughput,unimpeded air flow	220/240m³/h	220/240m³/h	240m³/h
Air throughput with Exit filter including standard filter mat	1×LK3240.300:155/185m³/h		
Axial fan	Self-starting shaded pole motor		DC motor
Rated current max.	0.24A/0.22A	0.48A/0.46A	0.58A
Rated Power	38/36W	38/36W	14W
Noise level	50/52dB(A)	50/52dB(A)	50dB(A)
Operating temperature range	-30 °C - +70 °C	-30 °C - +70 °C	-30 °C - +70 °C
Model No. Exit filter	LK3240.300	LK3240.300	LK3240.300
Material	Made of injection-moulded thermoplastic, customizable flame retardant material (UL94-V0)		
Air flow direction	air-in as default; air-out optional		
Protection Level	IP54		



LK3240-M series fan-and-filter



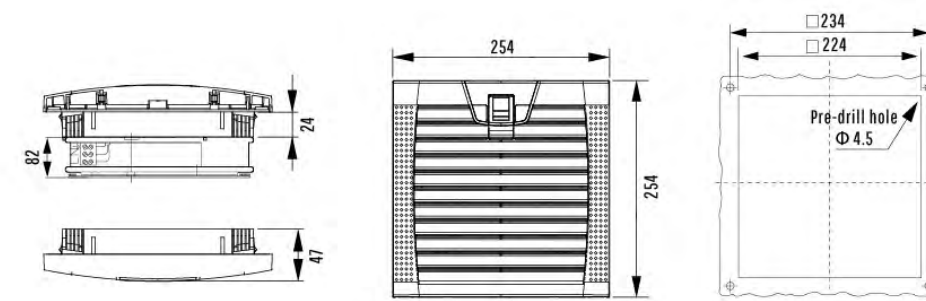
LK3240.300



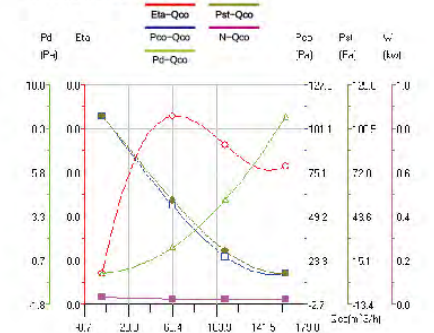
LK3240-M.230



Dimensions



Characteristics of Static Pressure



Model No.fan-and-filter unit LK	LK3240-M.230	LK3240-M.115
Rated operating voltage V	220V-240V	110V-120V
Frequency Hz	50/60	50/60
Air throughput,unimpeded air flow	230/265m³/h	230/265m³/h
Air throughput with Exit filter including standard filter mat	1×LK3240.300:190/215m³/h	
Axial fan	Self-starting shaded pole motor	
Rated current max.	0.30A/0.28A	0.52A/0.5A
Rated Power	41/38W	41/38W
Noise level	50/52dB(A)	50/52dB(A)
Operating temperature range	-30 °C - +70 °C	-30 °C - +70 °C
Model No. Exit filter	LK3240.300	LK3240.300
Material	Made of injection-moulded thermoplastic, customizable flame retardant material (UL94-V0)	
Air flow direction	air-in as default; air-out optional	
Protection Level	IP54	

LK3243 series fan-and-filter



LK3243.300

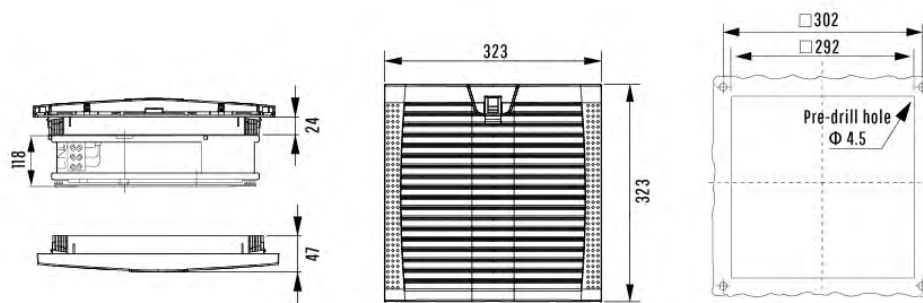


LK3243.230

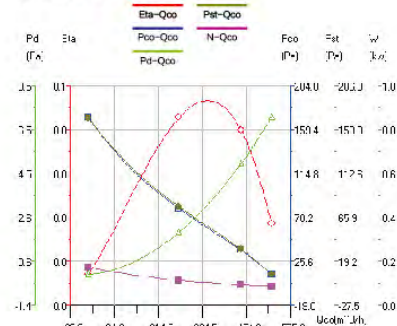


Thermostat installation option

Dimensions



Characteristics of Static Pressure



Model No.fan-and-filter unit LK	LK3243.230	LK3243.115
Rated operating voltage V	220V-240V	110V-120V
Frequency Hz	50/60	50/60
Air throughput,unimpeded air flow	1150/1350m³/h	1150/1350m³/h
Air throughput with Exit filter including standard filter mat	1×LK3243.300:750/950m³/h	
Axial fan	Capacitor operated	
Rated current max.	0.52A/0.65A	0.9A/0.95A
Rated Power	120/160W	120/160W
Noise level	70/72dB(A)	70/72dB(A)
Operating temperature range	-30 °C - +70 °C	-30 °C - +70 °C
Model No. Exit filter	LK3243.300	LK3243.300
Material	Made of injection-moulded thermoplastic, customizable flame retardant material (UL94-V0)	
Air flow direction	air-in as default; air-out optional	
Protection Level	IP54	



LK3244 series fan-and-filter



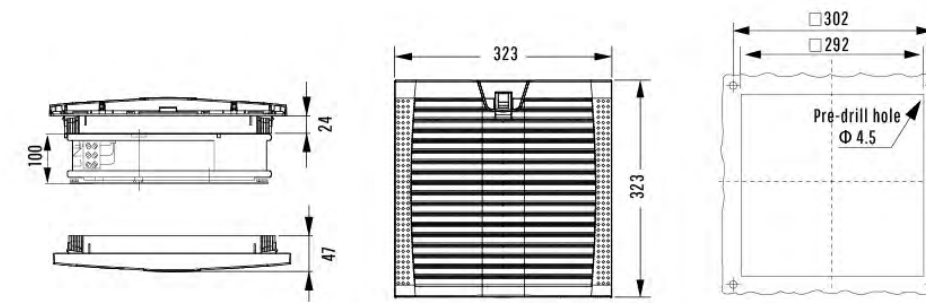
LK3243.300



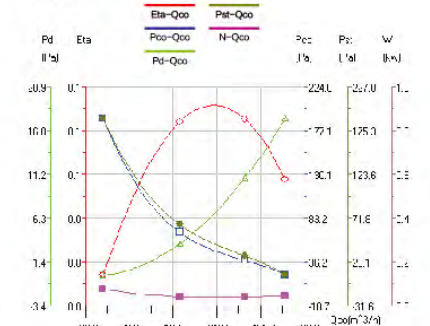
LK3244.230



Dimensions



Characteristics of Static Pressure



Model No.fan-and-filter unit LK	LK3244.230	LK3244.115
Rated operating voltage V	220V-240V	110V-120V
Frequency Hz	50/60	50/60
Air throughput,unimpeded air flow	550/600m³/h	550/600m³/h
Air throughput with Exit filter including standard filter mat	1×LK3243.300:380/410m³/h	
Axial fan	Capacitor operated	
Rated current max.	0.29A/0.37A	0.52A/0.55A
Rated Power	65/80W	65/80W
Noise level	62/65dB(A)	62/65dB(A)
Operating temperature range	-30 °C - +70 °C	-30 °C - +70 °C
Model No. Exit filter	LK3243.300	LK3243.300
Material	Made of injection-moulded thermoplastic, customizable flame retardant material (UL94-V0)	
Air flow direction	air-in as default; air-out optional	
Protection Level	IP54	

LK3245 series fan-and-filter



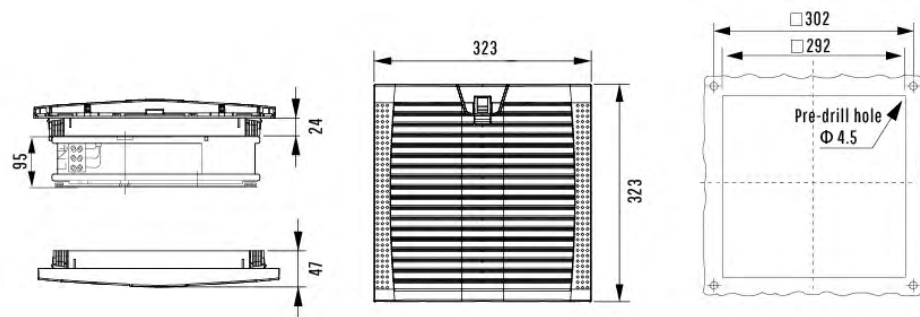
LK3243.300



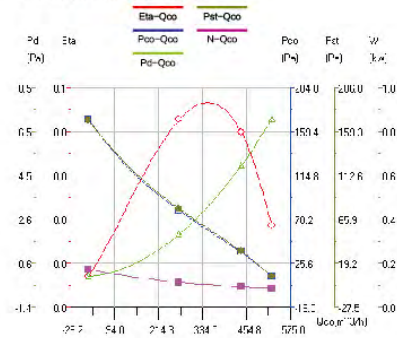
LK3245.230



Dimensions



Characteristics of Static Pressure



Model No.fan-and-filter unit LK	LK3245.230	LK3245.115
Rated operating voltage V	220V-240V	110V-120V
Frequency Hz	50/60	50/60
Air throughput,unimpeded air flow	1150/1350m³/h	1150/1350m³/h
Air throughput with Exit filter including standard filter mat	1×LK3243.300:750/950m³/h	
Axial fan	Capacitor operated	
Rated current max.	0.52A/0.65A	0.9A/0.95A
Rated Power	120/160W	120/160W
Noise level	70/72dB(A)	70/72dB(A)
Operating temperature range	-30 °C - +70 °C	-30 °C - +70 °C
Model No. Exit filter	LK3243.300	LK3243.300
Material	Made of injection-moulded thermoplastic, customizable flame retardant material (UL94-V0)	
Air flow direction	air-in as default; air-out optional	
Protection Level	IP54	



FF109 series fan-and-filter



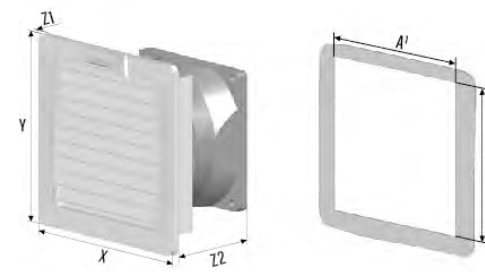
EF109



FF109.230



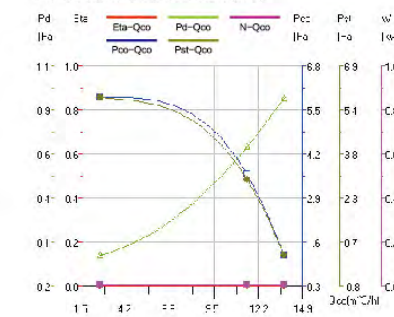
Dimensions



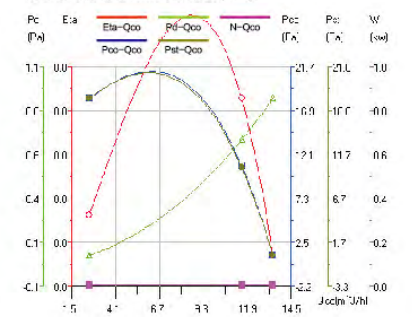
mm	X	Y	Z1	Z2	A'	B'
FF109 AC	109	109	4	62	92	92
FF109 DC	109	109	4	62	92	92
EF109	109	109	4	19	92	92

A' & B' size increase by 1mm for 2-3mm wall thickness cabinet

Characteristics of Static Pressure (IP54)



Characteristics of Static Pressure (IP55)

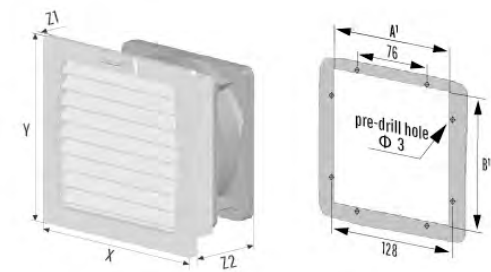


Model No.fan-and-filter unit LK	FF109.230	FF109.115	FF109.024
Rated operating voltage V	220V-240V	110V-120V	24V
Frequency Hz	50/60	50/60	-
Air throughput,unimpeded air flow	25/35m³/h	25/35m³/h	35m³/h
Air throughput with Exit filter including standard filter mat	1×EF109:20/25m³/h		
Axial fan	Self-starting shaded pole motor		DC motor
Rated current max.	0.07A/0.06A	0.14A/0.13A	0.18A
Rated Power	13/12W	13/12W	4.3W
Noise level	37/41dB(A)	37/41dB(A)	41dB(A)
Operating temperature range	-40 °C - +80 °C	-40 °C - +80 °C	-40 °C - +80 °C
Model No. Exit filter	EF109	EF109	EF109
Material	PC alloy material, UL94-V0		
Air flow direction	air-in as default; air-out optional		
Protection Level	IP54 or IP55		

FF145 series fan-and-filter



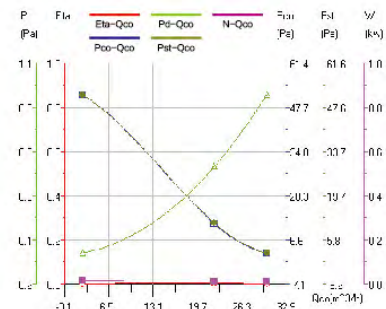
Dimensions



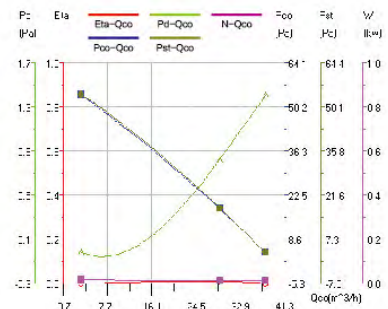
mm	AC	X	Y	Z1	Z2	A'	B'
FF145	DC	145	145	5	70	125	125
EF145		145	145	5	70	125	125

A' & B' size increase by 1mm for 2-3mm wall thickness cabinet

Characteristics of Static Pressure (IP54)



Characteristics of Static Pressure (IP55)



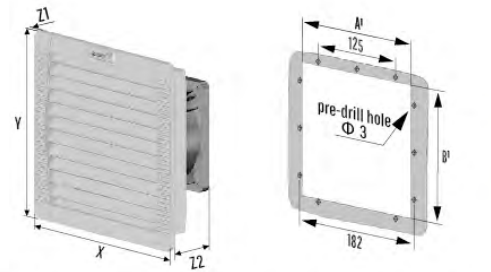
Model No. fan-and-filter unit LK	FF145.230	FF145.115	FF145.024
Rated operating voltage V	220V-240V	110V-120V	24V
Frequency Hz	50/60	50/60	-
Air throughput, unimpeded air flow	65/85m³/h	65/85m³/h	85m³/h
Air throughput with Exit filter including standard filter mat	1×EF145:55/70m³/h		
Axial fan	Self-starting shaded pole motor		DC motor
Rated current max.	0.12A/0.11A	0.24A/0.22A	0.35A
Rated Power	19/18W	19/18W	7.7W
Noise level	41/42dB(A)	41/42dB(A)	41dB(A)
Operating temperature range	-40 °C - +80 °C	-40 °C - +80 °C	-40 °C - +80 °C
Model No. Exit filter	EF145	EF145	EF145
Material	PC alloy material, UL94-V0		
Air flow direction	air-in as default; air-out optional		
Protection Level	IP54 or IP55		



FF202 series fan-and-filter



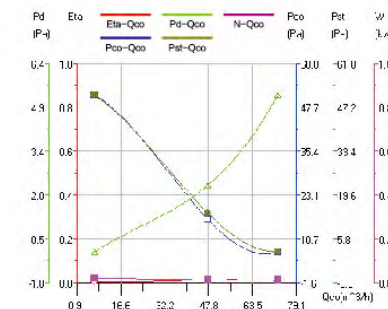
Dimensions



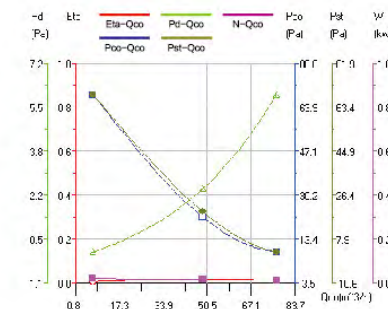
mm	AC	X	Y	Z1	Z2	A'	B'
FF202	DC	202	202	6.5	87	177	177
EF202		202	202	6.5	87	177	177

A' & B' size increase by 1mm for 2-3mm wall thickness cabinet

Characteristics of Static Pressure (IP54)



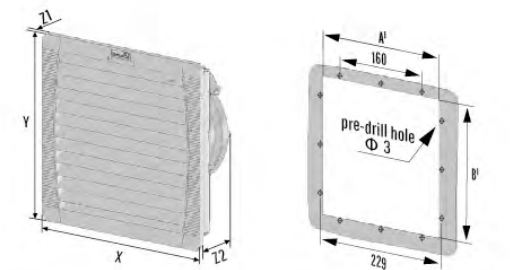
Characteristics of Static Pressure (IP55)



Model No. fan-and-filter unit LK	FF202.230	FF202.115	FF202.024
Rated operating voltage V	220V-240V	110V-120V	24V
Frequency Hz	50/60	50/60	-
Air throughput, unimpeded air flow	105/126m³/h	105/126m³/h	126m³/h
Air throughput with Exit filter including standard filter mat	1×EF202:78/90m³/h		
Axial fan	Self-starting shaded pole motor		DC motor
Rated current max.	0.12A/0.11A	0.24A/0.22A	0.35A
Rated Power	19/18W	19/18W	7.7W
Noise level	41/42dB(A)	41/42dB(A)	41dB(A)
Operating temperature range	-40 °C - +80 °C	-40 °C - +80 °C	-40 °C - +80 °C
Model No. Exit filter	EF202	EF202	EF202
Material	PC alloy material, UL94-V0		
Air flow direction	air-in as default; air-out optional		
Protection Level	IP54 or IP55		



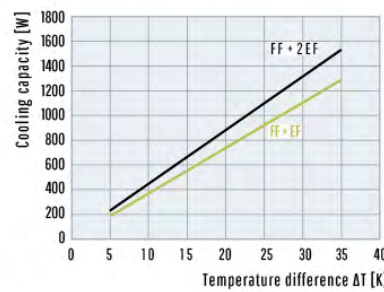
Dimensions



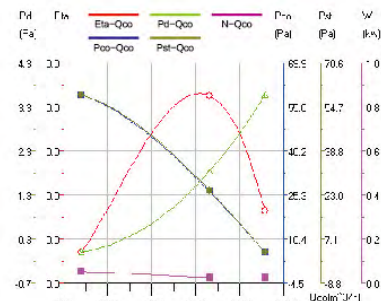
mm	X	Y	Z1	Z2	A'	B'
FF252-P AC	252	252	6.5	111	223	223
FF252-P DC	252	252	6.5	111	223	223
EF252	252	252	6.5	33	223	223

A' & B' size increase by 1mm for 2-3mm wall thickness cabinet

Cooling capacity performance curves



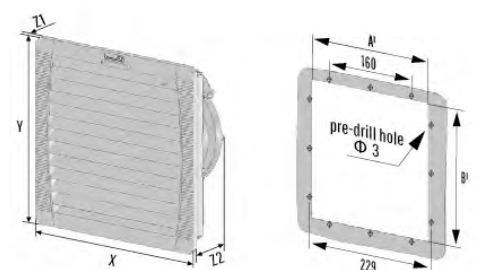
Characteristics of Static Pressure (IP54)



Model No.fan-and-filter unit LK	FF252-P.230	FF252-P.115	FF252-P.024
Rated operating voltage V	220V-240V	110V-120V	24V
Frequency Hz	50/60	50/60	-
Air throughput,unimpeded air flow	220/240m³/h	220/240m³/h	240m³/h
Air throughput with Exit filter including standard filter mat	1×EF252:155/185m³/h		
Axial fan	Self-starting shaded pole motor		DC motor
Rated current max.	0.24A/0.22A	0.48A/0.46A	0.58A
Rated Power	38/36W	38/36W	14W
Noise level	50/52dB(A)	50/52dB(A)	50dB(A)
Operating temperature range	-40 °C - +80 °C	-40 °C - +80 °C	-40 °C - +80 °C
Model No. Exit filter	EF252	EF252	EF252
Material	PC alloy material, UL94-V0		
Air flow direction	air-in as default; air-out optional		
Protection Level	IP54 or IP55		



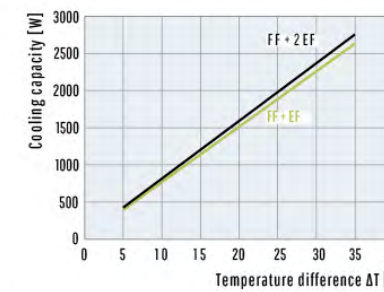
Dimensions



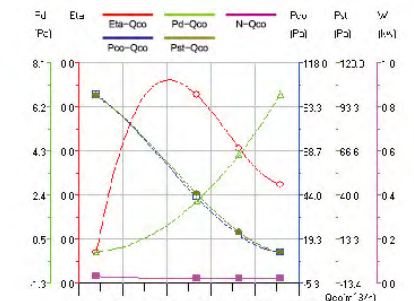
mm	X	Y	Z1	Z2	A'	B'
FF252-M	252	252	6.5	114	223	223
EF252	252	252	6.5	33	223	223

A' & B' size increase by 1mm for 2-3mm wall thickness cabinet

Cooling capacity performance curves



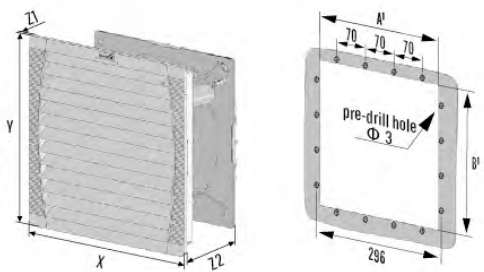
Characteristics of Static Pressure (IP54)



Model No.fan-and-filter unit LK	FF252-M.230	FF252-M.115
Rated operating voltage V	220V-240V	110V-120V
Frequency Hz	50/60	50/60
Air throughput,unimpeded air flow	230/265m³/h	230/265m³/h
Air throughput with Exit filter including standard filter mat	1×EF252:190/215m³/h	
Axial fan	Self-starting shaded pole motor	
Rated current max.	0.30A/0.28A	0.52A/0.5A
Rated Power	41/38W	41/38W
Noise level	50/52dB(A)	50/52dB(A)
Operating temperature range	-40 °C - +80 °C	-40 °C - +80 °C
Model No. Exit filter	EF252	EF252
Material	PC alloy material, UL94-V0	
Air flow direction	air-in as default; air-out optional	
Protection Level	IP54 or IP55	

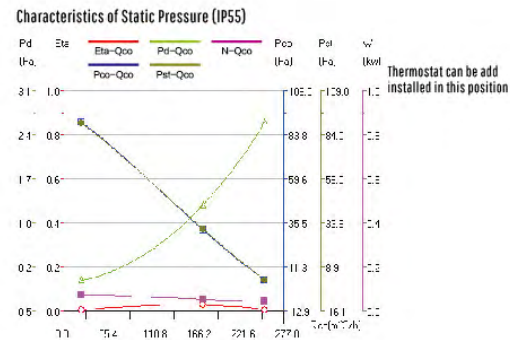
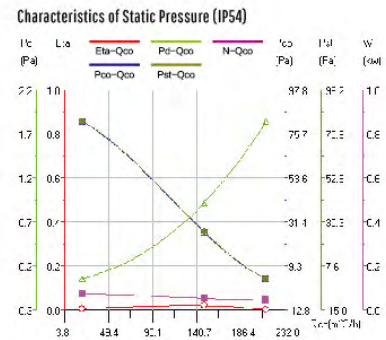


Dimensions



mm	X	Y	Z1	Z2	A'	B'
FF320	320	320	7	162	291	291
EF320	320	320	7	36	291	291

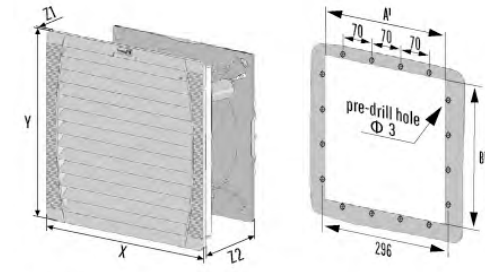
A' & B' size increase by 1mm for 2-3mm wall thickness cabinet



Model No. fan-and-filter unit LK	FF320.230	FF320.115
Rated operating voltage V	220V-240V	110V-120V
Frequency Hz	50/60	50/60
Air throughput, unimpeded air flow	550/600m ³ /h	550/600m ³ /h
Air throughput with Exit filter including standard filter mat	1×EF320:380/410m ³ /h	
Axial fan	Capacitor operated	
Rated current max.	0.29A/0.37A	0.52A/0.55A
Rated Power	65/80W	65/80W
Noise level	62/65dB(A)	62/65dB(A)
Operating temperature range	-40 °C - +80 °C	-40 °C - +80 °C
Model No. Exit filter	EF320	EF320
Material	PC alloy material, UL94-V0	
Air flow direction	air-in as default; air-out optional	
Protection Level	IP54 or IP55	

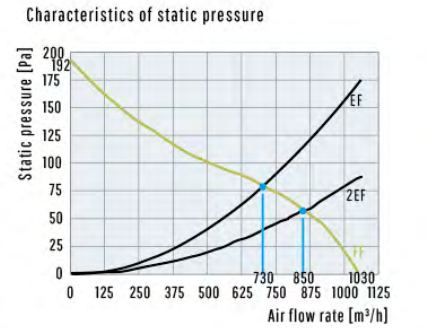
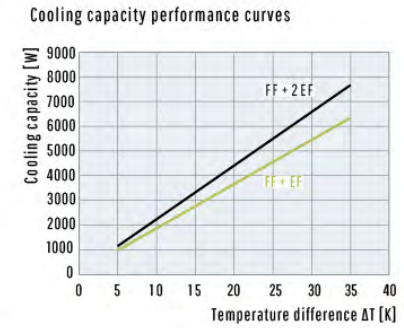


Dimensions



mm	X	Y	Z1	Z2	A'	B'
FF320-D	320	320	7	162	291	291
EF320	320	320	7	36	291	291

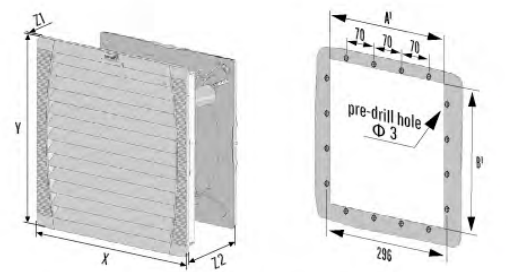
A' & B' size increase by 1mm for 2-3mm wall thickness cabinet



Model No. fan-and-filter unit LK	FF320-D.230	FF320-D.115
Rated operating voltage V	220V-240V	110V-120V
Frequency Hz	50/60	50/60
Air throughput, unimpeded air flow	1150/1350m ³ /h	1150/1350m ³ /h
Air throughput with Exit filter including standard filter mat	1×EF320:750/950m ³ /h	
Axial fan	Capacitor operated	
Rated current max.	0.52A/0.65A	0.9A/0.95A
Rated Power	120/160W	120/160W
Noise level	70/72dB(A)	70/72dB(A)
Operating temperature range	-40 °C - +80 °C	-40 °C - +80 °C
Model No. Exit filter	EF320	EF320
Material	PC alloy material, UL94-V0	
Air flow direction	air-in as default; air-out optional	
Protection Level	IP54 or IP55	

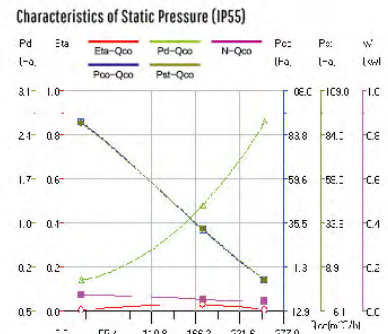
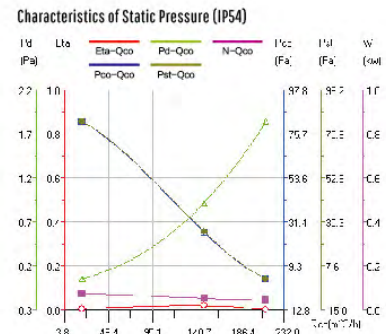


Dimensions



mm	X	Y	Z1	Z2	A'	B'
FF5000	320	320	7	125	291	291
EF320	320	320	7	36	291	291

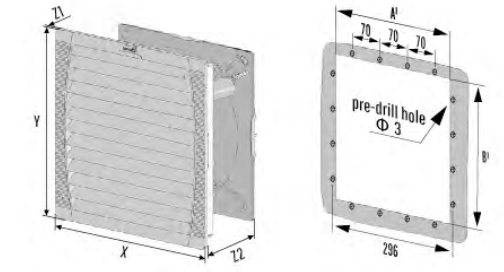
A' & B' size increase by 1mm for 2-3mm wall thickness cabinet



Model No.fan-and-filter unit LK	FF5000.230	FF5000.115
Rated operating voltage V	220V-240V	110V-120V
Frequency Hz	50/60	50/60
Air throughput,unimpeded air flow	550/600m³/h	550/600m³/h
Air throughput with Exit filter including standard filter mat	1×EF320:380/410m³/h	
Axial fan	Capacitor operated	
Rated current max.	0.29A/0.37A	0.52A/0.55A
Rated Power	65/80W	65/80W
Noise level	62/65dB(A)	62/65dB(A)
Operating temperature range	-40 °C - +80 °C	-40 °C - +80 °C
Model No. Exit filter	EF320	EF320
Material	PC alloy material, UL94-V0	
Air flow direction	air-in as default; air-out optional	
Protection Level	IP54 or IP55	

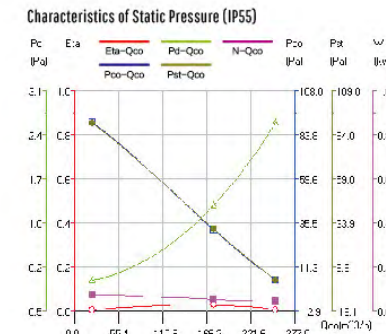
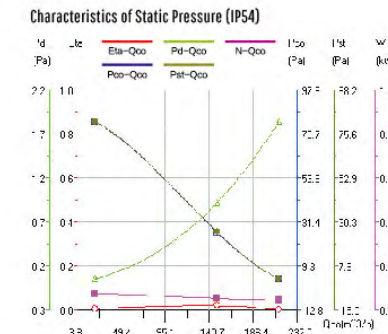


Dimensions



mm	X	Y	Z1	Z2	A'	B'
FF7000	320	320	7	127	291	291
EF320	320	320	7	36	291	291

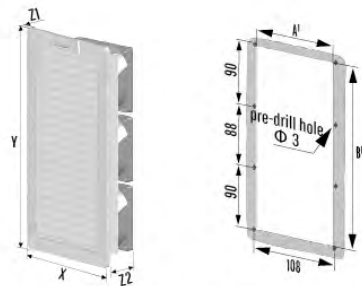
A' & B' size increase by 1mm for 2-3mm wall thickness cabinet



Model No.fan-and-filter unit LK	FF7000.230	FF7000.115
Rated operating voltage V	220V-240V	110V-120V
Frequency Hz	50/60	50/60
Air throughput,unimpeded air flow	1150/1350m³/h	1150/1350m³/h
Air throughput with Exit filter including standard filter mat	1×EF320:750/950m³/h	
Axial fan	Capacitor operated	
Rated current max.	0.52A/0.65A	0.9A/0.95A
Rated Power	120/160W	120/160W
Noise level	70/72dB(A)	70/72dB(A)
Operating temperature range	-40 °C - +80 °C	-40 °C - +80 °C
Model No. Exit filter	EF320	EF320
Material	PC alloy material, UL94-V0	
Air flow direction	air-in as default; air-out optional	
Protection Level	IP54 or IP55	



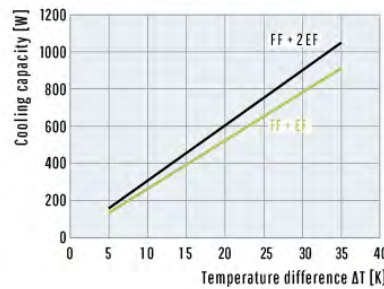
Dimensions



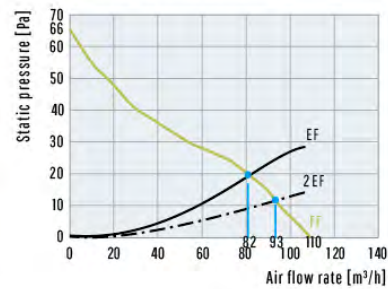
mm		X	Y	Z1	Z2	A'	B'
FF130	AC	130	290	5	74	105	265
	DC	130	290	5	74	105	265
EF130		130	290	5	74	105	265

A' & B' size increase by 1mm for 2-3mm wall thickness cabinet

Cooling capacity performance curves



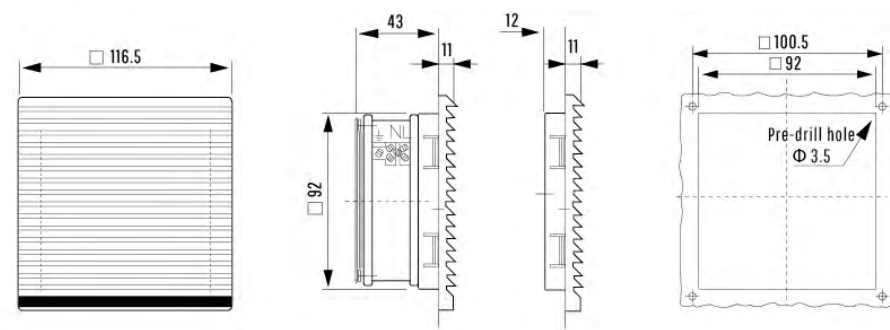
Characteristics of static pressure



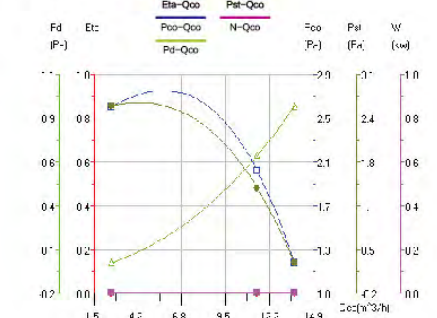
Model No.fan-and-filter unit LK	FF130.230	FF130.115	FF130.024
Rated operating voltage V	220V-240V	110V-120V	24V
Frequency Hz	50/60	50/60	-
Air throughput,unimpeded air flow	105/120m³/h	105/120m³/h	120m³/h
Air throughput with Exit filter including standard filter mat	1×EF130:80/91m³/h		
Axial fan	Self-starting shaded pole motor		
Rated current max.	0.07A/0.06A	0.14A/0.13A	0.18A
Rated Power	39/36W	39/36W	12.9W
Noise level	35/38dB(A)	35/38dB(A)	38dB(A)
Operating temperature range	-40 °C - +80 °C	-40 °C - +80 °C	-40 °C - +80 °C
Model No. Exit filter	EF130	EF130	EF130
Material	PC alloy material, UL94-V0		
Air flow direction	air-in as default; air-out optional		
Protection Level	IP54 or IP55		



Dimensions



Characteristics of Static Pressure



Model No.fan-and-filter unit LK	LK6621.230	LK6621.115	LK6621.024
Rated operating voltage V	220V-240V	110V-120V	24V
Frequency Hz	50/60	50/60	-
Air throughput,unimpeded air flow	25/35m³/h	25/35m³/h	35m³/h
Air throughput with Exit filter including standard filter mat	1×LK6621.300:20/25m³/h		
Axial fan	Self-starting shaded pole motor		
Rated current max.	0.07A/0.06A	0.14A/0.13A	0.18A
Rated Power	13/12W	13/12W	4.3W
Noise level	37/41dB(A)	37/41dB(A)	41dB(A)
Operating temperature range	-30 °C - +70 °C	-30 °C - +70 °C	-30 °C - +70 °C
Model No. Exit filter	LK6621.300	LK6621.300	LK6621.300
Material	Made of injection-moulded thermoplastic, customizable flame retardant material (UL94-V0)		
Air flow direction	air-in as default; air-out optional		
Protection Level	IP54		



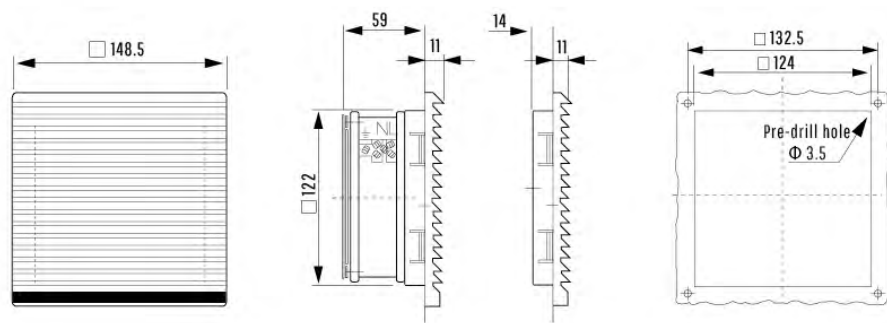
LK6622.300



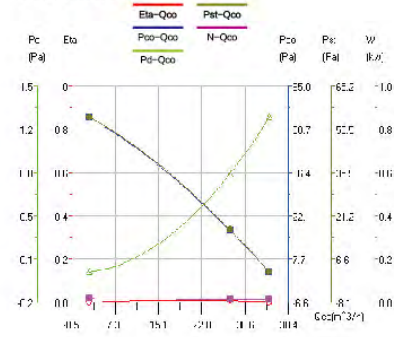
LK6622.230



Dimensions



Characteristics of Static Pressure



Model No.fan-and-filter unit LK	LK6622.230	LK6622.115	LK6622.024
Rated operating voltage V	220V-240V	110V-120V	24V
Frequency Hz	50/60	50/60	-
Air throughput,unimpeded air flow	65/85m³/h	65/85m³/h	85m³/h
Air throughput with Exit filter including standard filter mat	1×LK6622.300:55/70m³/h		
Axial fan	Self-starting shaded pole motor		
Rated current max.	0.12A/0.11A	0.24A/0.22A	0.35A
Rated Power	19/18W	19/18W	7.7W
Noise level	41/42dB(A)	41/42dB(A)	41dB(A)
Operating temperature range	-30 °C - +70 °C	-30 °C - +70 °C	-30 °C - +70 °C
Model No. Exit filter	LK6622.300	LK6622.300	LK6622.300
Material	Made of injection-moulded thermoplastic, customizable flame retardant material (UL94-V0)		
Air flow direction	air-in as default; air-out optional		
Protection Level	IP54		



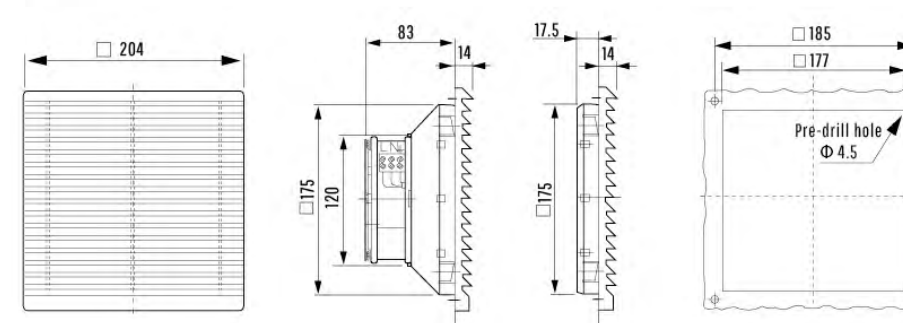
LK6623.300



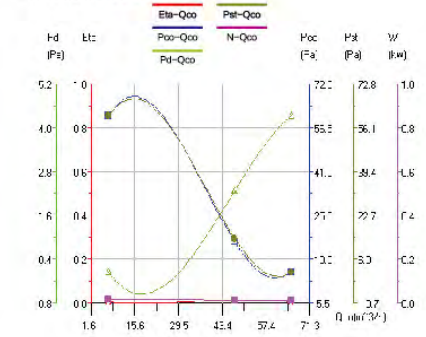
LK6623.230



Dimensions



Characteristics of Static Pressure



Model No.fan-and-filter unit LK	LK6623.230	LK6623.115	LK6623.024
Rated operating voltage V	220V-240V	110V-120V	24V
Frequency Hz	50/60	50/60	-
Air throughput,unimpeded air flow	105/126m³/h	105/126m³/h	126m³/h
Air throughput with Exit filter including standard filter mat	1×LK6623.300:78/90m³/h		
Axial fan	Self-starting shaded pole motor		
Rated current max.	0.12A/0.11A	0.24A/0.22A	0.35A
Rated Power	19/18W	19/18W	7.7W
Noise level	41/42dB(A)	41/42dB(A)	41dB(A)
Operating temperature range	-30 °C - +70 °C	-30 °C - +70 °C	-30 °C - +70 °C
Model No. Exit filter	LK6623.300	LK6623.300	LK6623.300
Material	Made of injection-moulded thermoplastic, customizable flame retardant material (UL94-V0)		
Air flow direction	air-in as default; air-out optional		
Protection Level	IP54		



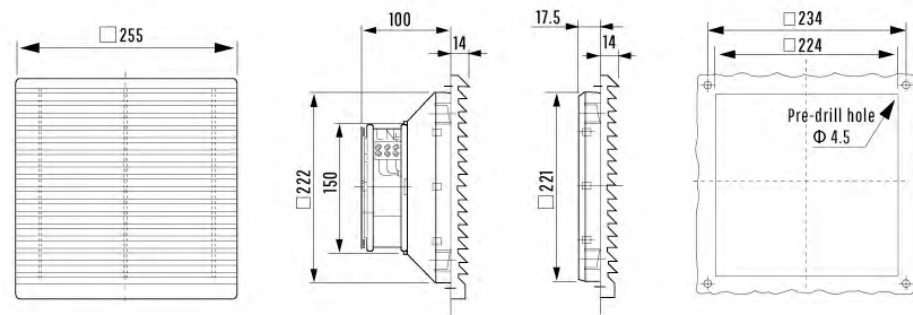
LK6624.300



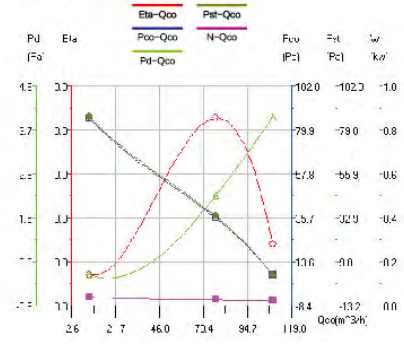
LK6624.230



Dimensions



Characteristics of Static Pressure



Model No.fan-and-filter unit LK	LK6624.230	LK6624.115	LK6624.024
Rated operating voltage V	220V-240V	110V-120V	24V
Frequency Hz	50/60	50/60	-
Air throughput,unimpeded air flow	220/240m³/h	220/240m³/h	240m³/h
Air throughput with Exit filter including standard filter mat	1×LK6624.300:155/185m³/h		
Axial fan	Self-starting shaded pole motor		
Rated current max.	0.24A/0.22A	0.48A/0.46A	0.58A
Rated Power	38/36W	38/36W	14W
Noise level	50/52dB(A)	50/52dB(A)	50dB(A)
Operating temperature range	-30 °C - +70 °C	-30 °C - +70 °C	-30 °C - +70 °C
Model No. Exit filter	LK6624.300	LK6624.300	LK6624.300
Material	Made of injection-moulded thermoplastic, customizable flame retardant material (UL94-V0)		
Air flow direction	air-in as default; air-out optional		
Protection Level	IP54		



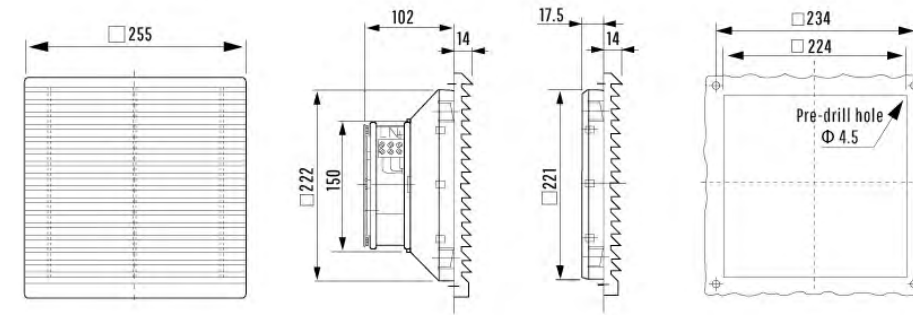
LK6625.300



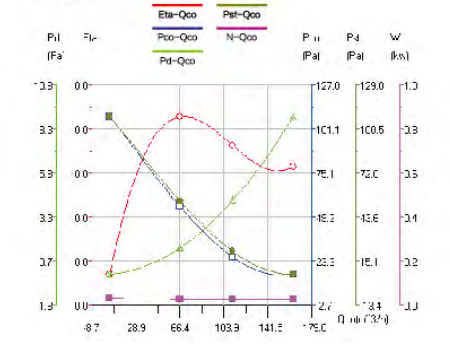
LK6625.230



Dimensions



Characteristics of Static Pressure

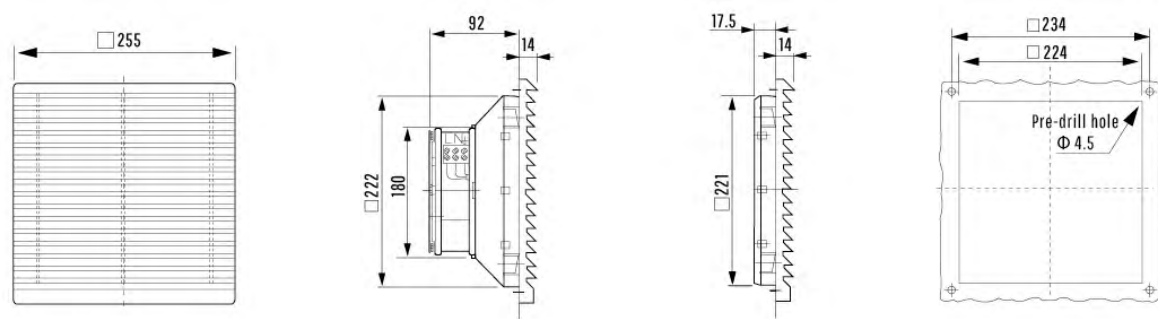


Model No.fan-and-filter unit LK	LK6625.230	LK6625.115
Rated operating voltage V	220V-240V	110V-120V
Frequency Hz	50/60	50/60
Air throughput,unimpeded air flow	230/265m³/h	230/265m³/h
Air throughput with Exit filter including standard filter mat	1×LK6625.300:190/215m³/h	
Axial fan	Self-starting shaded pole motor	
Rated current max.	0.30A/0.28A	0.52A/0.5A
Rated Power	41/38W	41/38W
Noise level	50/52dB(A)	50/52dB(A)
Operating temperature range	-30 °C - +70 °C	-30 °C - +70 °C
Model No. Exit filter	LK6625.300	LK6625.300
Material	Made of injection-moulded thermoplastic, customizable flame retardant material (UL94-V0)	
Air flow direction	air-in as default; air-out optional	
Protection Level	IP54	

LK6625-D series fan-and-filter



Dimensions



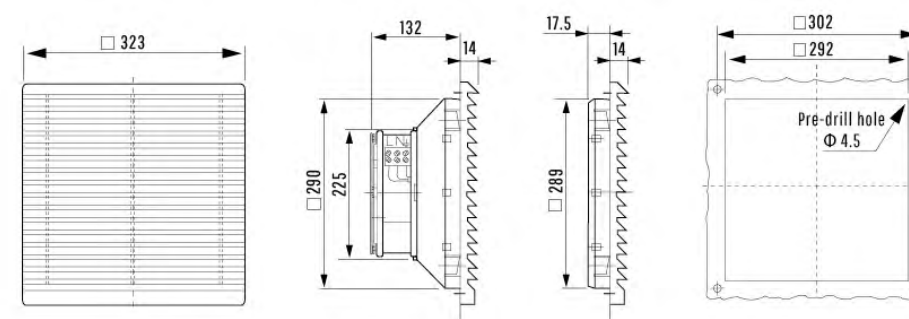
Model No.fan-and-filter unit LK	LK6625.230-D	LK6625.115-D
Rated operating voltage V	220V-240V	110V-120V
Frequency Hz	50/60	50/60
Air throughput,unimpeded air flow	360/380m³/h	360/380m³/h
Air throughput with Exit filter including standard filter mat	1×LK6625.300:280/300m³/h	
Axial fan	Self-starting shaded pole motor	
Rated current max.	0.45A	0.86A
Rated Power	50/45W	50/45W
Noise level	60dB(A)	60dB(A)
Operating temperature range	-30 °C - +70 °C	-30 °C - +70 °C
Model No. Exit filter	LK6625.300	LK6625.300
Material	Made of injection-moulded thermoplastic, customizable flame retardant material (UL94-V0)	
Air flow direction	air-in as default; air-out optional	
Protection Level	IP54	



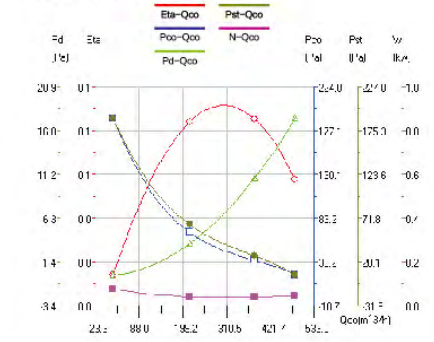
LK6626 series fan-and-filter



Dimensions



Characteristics of Static Pressure



Model No.fan-and-filter unit LK	LK6626.230	LK6626.115
Rated operating voltage V	220V-240V	110V-120V
Frequency Hz	50/60	50/60
Air throughput,unimpeded air flow	550/600m³/h	550/600m³/h
Air throughput with Exit filter including standard filter mat	1×LK6626.300:380/410m³/h	
Axial fan	Capacitor operated	
Rated current max.	0.29A/0.37A	0.52A/0.55A
Rated Power	65/80W	65/80W
Noise level	62/65dB(A)	62/65dB(A)
Operating temperature range	-30 °C - +70 °C	-30 °C - +70 °C
Model No. Exit filter	LK6626.300	LK6626.300
Material	Made of injection-moulded thermoplastic, customizable flame retardant material (UL94-V0)	
Air flow direction	air-in as default; air-out optional	
Protection Level	IP54	



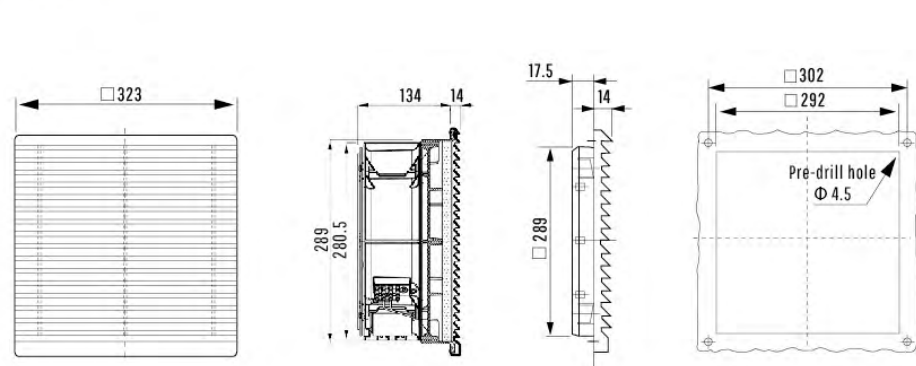
LK6626.300



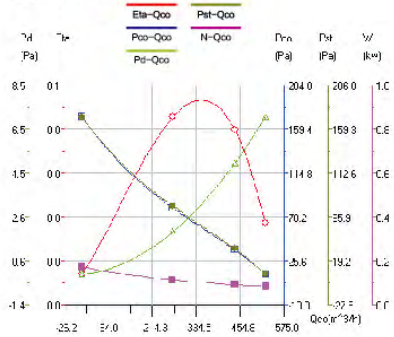
LK6627.230



Dimensions



Characteristics of Static Pressure



Model No.fan-and-filter unit LK	LK6627.230	LK6627.115
Rated operating voltage V	220V-240V	110V-120V
Frequency Hz	50/60	50/60
Air throughput,unimpeded air flow	1150/1350m³/h	1150/1350m³/h
Air throughput with Exit filter including standard filter mat	1×LK6626.300:750/950m³/h	
Axial fan	Capacitor operated	
Rated current max.	0.52A/0.65A	0.9A/0.95A
Rated Power	120/160W	120/160W
Noise level	70/72dB(A)	70/72dB(A)
Operating temperature range	-30 °C - +70 °C	-30 °C - +70 °C
Model No. Exit filter	LK6626.300	LK6626.300
Material	Made of injection-moulded thermoplastic, customizable flame retardant material (UL94-V0)	
Air flow direction	air-in as default; air-out optional	
Protection Level	IP54	



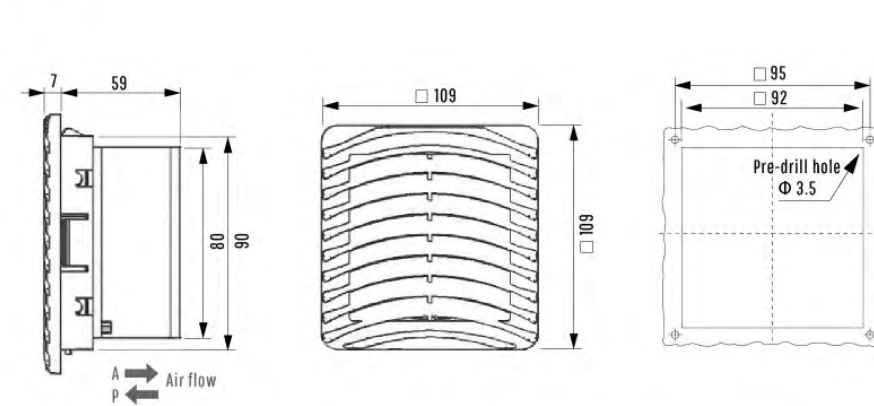
FF5521.300



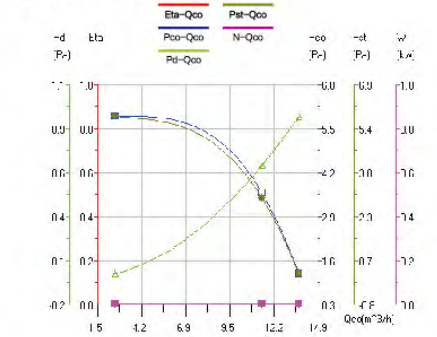
FF5521.230



Dimensions



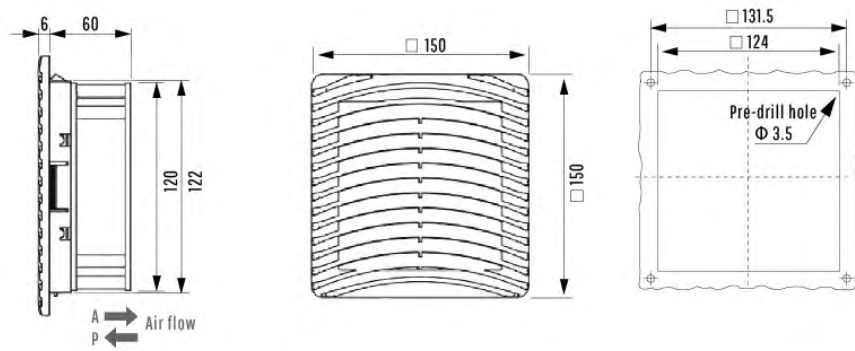
Characteristics of Static Pressure



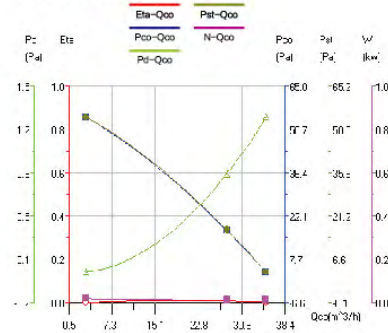
Model No.fan-and-filter unit LK	FK5521.230	FK5521.115	FK5521.024
Rated operating voltage V	220V-240V	110V-120V	24V
Frequency Hz	50/60	50/60	-
Air throughput,unimpeded air flow	25/35m³/h	25/35m³/h	35m³/h
Air throughput with Exit filter including standard filter mat	1×FK5521.300:20/25m³/h		
Axial fan	Self-starting shaded pole motor		
Rated current max.	0.07A/0.06A	0.14A/0.13A	0.18A
Rated Power	13/12W	13/12W	4.3W
Noise level	32/35dB(A)	32/35dB(A)	35dB(A)
Operating temperature range	-30 °C - +70 °C	-30 °C - +70 °C	-30 °C - +70 °C
Model No. Exit filter	FK5521.300	FK5521.300	FK5521.300
Material	Made of injection-moulded thermoplastic, customizable flame retardant material (UL94-V0)		
Air flow direction	air-in as default; air-out optional		
Protection Level	IP54		



Dimensions



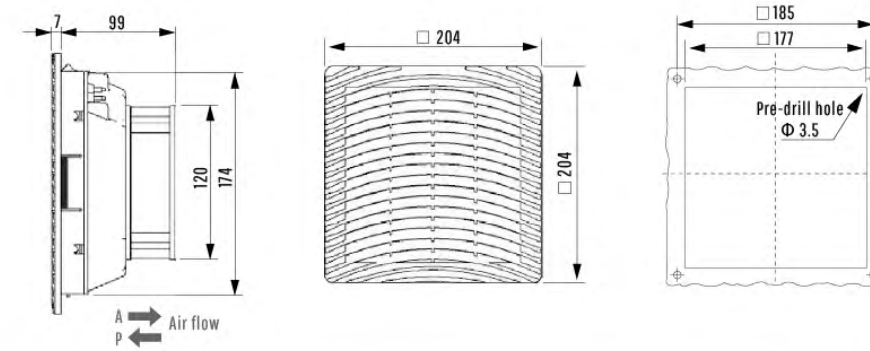
Characteristics of Static Pressure



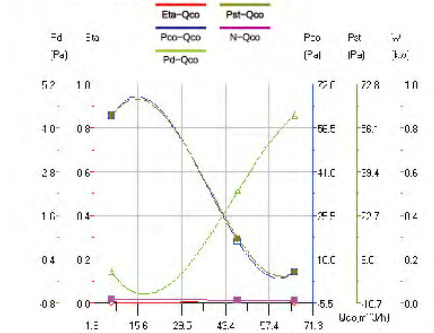
Model No.fan-and-filter unit LK	FK5522.230	FK5522.115	FK5522.024
Rated operating voltage V	220V-240V	110V-120V	24V
Frequency Hz	50/60	50/60	-
Air throughput,unimpeded air flow	65/85m³/h	65/85m³/h	85m³/h
Air throughput with Exit filter including standard filter mat	1×FK5522.300:55/70m³/h		
Axial fan	Self-starting shaded pole motor		DC motor
Rated current max.	0.12A/0.11A	0.24A/0.22A	0.35A
Rated Power	19/18W	19/18W	7.7W
Noise level	41/42dB(A)	41/42dB(A)	41dB(A)
Operating temperature range	-30 °C - +70 °C	-30 °C - +70 °C	-30 °C - +70 °C
Model No. Exit filter	FK5522.300	LK5522.300	LK5522.300
Material	Made of injection-moulded thermoplastic, customizable flame retardant material (UL94-V0)		
Air flow direction	air-in as default; air-out optional		
Protection Level	IP54		



Dimensions



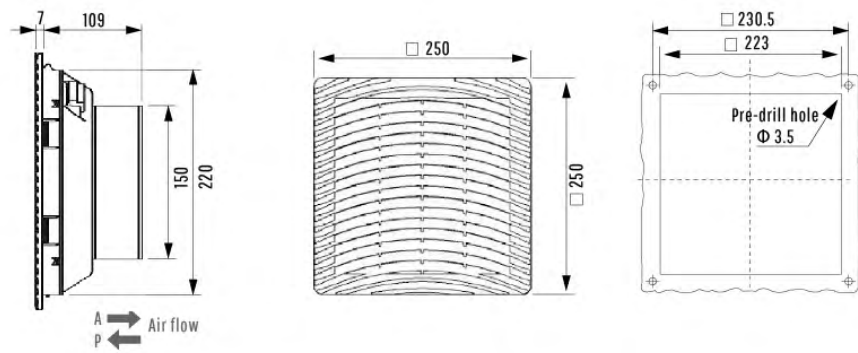
Characteristics of Static Pressure



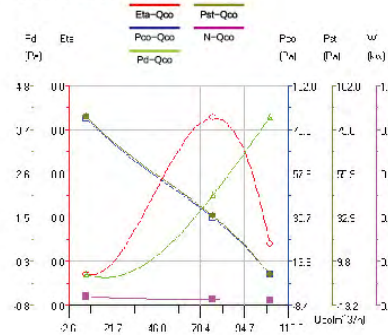
Model No.fan-and-filter unit LK	FK5523.230	FK5523.115	FK5523.024
Rated operating voltage V	220V-240V	110V-120V	24V
Frequency Hz	50/60	50/60	-
Air throughput,unimpeded air flow	105/126m³/h	105/126m³/h	126m³/h
Air throughput with Exit filter including standard filter mat	1×FK5523.300:78/90m³/h		
Axial fan	Self-starting shaded pole motor		DC motor
Rated current max.	0.12A/0.11A	0.24A/0.22A	0.35A
Rated Power	19/18W	19/18W	7.7W
Noise level	41/42dB(A)	41/42dB(A)	41dB(A)
Operating temperature range	-30 °C - +70 °C	-30 °C - +70 °C	-30 °C - +70 °C
Model No. Exit filter	FK5523.300	FK5523.300	FK5523.300
Material	Made of injection-moulded thermoplastic, customizable flame retardant material (UL94-V0)		
Air flow direction	air-in as default; air-out optional		
Protection Level	IP54		



Dimensions



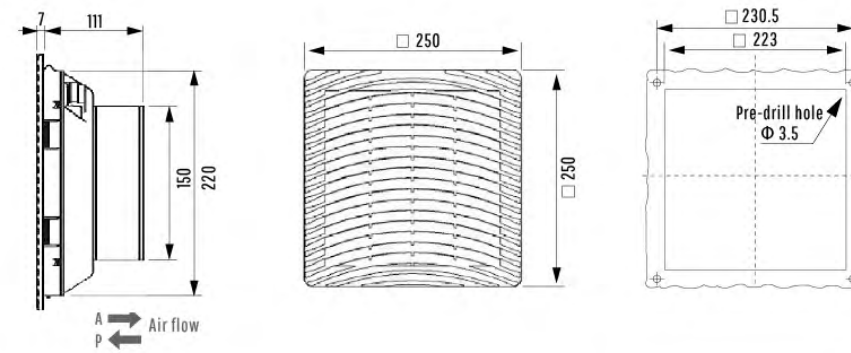
Characteristics of Static Pressure



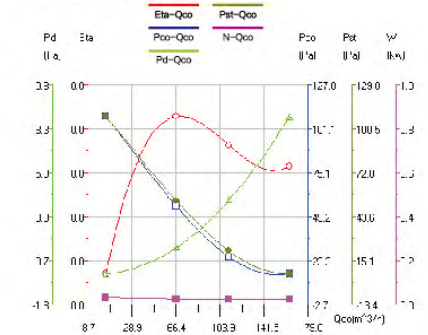
Model No.fan-and-filter unit LK	FK5524.230	FK5524.115	FK5524.024
Rated operating voltage V	220V-240V	110V-120V	24V
Frequency Hz	50/60	50/60	-
Air throughput,unimpeded air flow	220/240m³/h	220/240m³/h	240m³/h
Air throughput with Exit filter including standard filter mat	1×FK5524.300:155/185m³/h		
Axial fan	Self-starting shaded pole motor		DC motor
Rated current max.	0.24A/0.22A	0.48A/0.46A	0.58A
Rated Power	38/36W	38/36W	14W
Noise level	50/52dB(A)	50/52dB(A)	50dB(A)
Operating temperature range	-30 °C - +70 °C	-30 °C - +70 °C	-30 °C - +70 °C
Model No. Exit filter	FK5524.300	FK5524.300	FK5524.300
Material	Made of injection-moulded thermoplastic, customizable flame retardant material (UL94-V0)		
Air flow direction	air-in as default; air-out optional		
Protection Level	IP54		



Dimensions



Characteristics of Static Pressure



Model No.fan-and-filter unit LK	FK5525.230	FK5525.115
Rated operating voltage V	220V-240V	110V-120V
Frequency Hz	50/60	50/60
Air throughput,unimpeded air flow	230/265m³/h	230/265m³/h
Air throughput with Exit filter including standard filter mat	1×FK5525.300:190/215m³/h	
Axial fan	Self-starting shaded pole motor	
Rated current max.	0.30A/0.28A	0.52A/0.5A
Rated Power	41/38W	41/38W
Noise level	50/52dB(A)	50/52dB(A)
Operating temperature range	-30 °C - +70 °C	-30 °C - +70 °C
Model No. Exit filter	FK5525.300	FK5525.300
Material	Made of injection-moulded thermoplastic, customizable flame retardant material (UL94-V0)	
Air flow direction	air-in as default; air-out optional	
Protection Level	IP54	

FK5526 series fan-and-filter



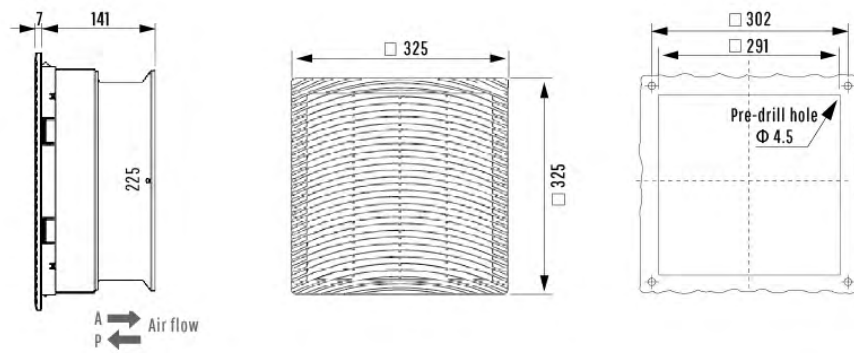
FK5526.300



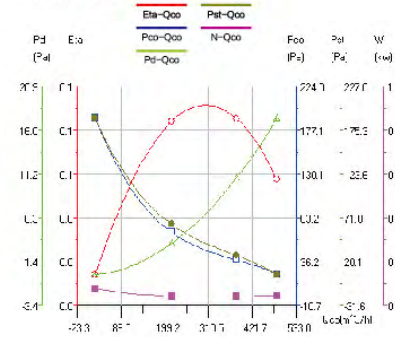
FK5526.230



Dimensions



Characteristics of Static Pressure



Model No.fan-and-filter unit LK	FK5526.230	FK5526.115
Rated operating voltage V	220V-240V	110V-120V
Frequency Hz	50/60	50/60
Air throughput,unimpeded air flow	550/600m³/h	550/600m³/h
Air throughput with Exit filter including standard filter mat	1×FK5526.300:380/410m³/h	
Axial fan	Capacitor operated	
Rated current max.	0.29A/0.37A	0.52A/0.55A
Rated Power	65/80W	65/80W
Noise level	62/65dB(A)	62/65dB(A)
Operating temperature range	-30 °C - +70 °C	-30 °C - +70 °C
Model No. Exit filter	FK5526.300	FK5526.300
Material	Made of injection-moulded thermoplastic, customizable flame retardant material (UL94-V0)	
Air flow direction	air-in as default; air-out optional	
Protection Level	IP54	



FK5527 series fan-and-filter



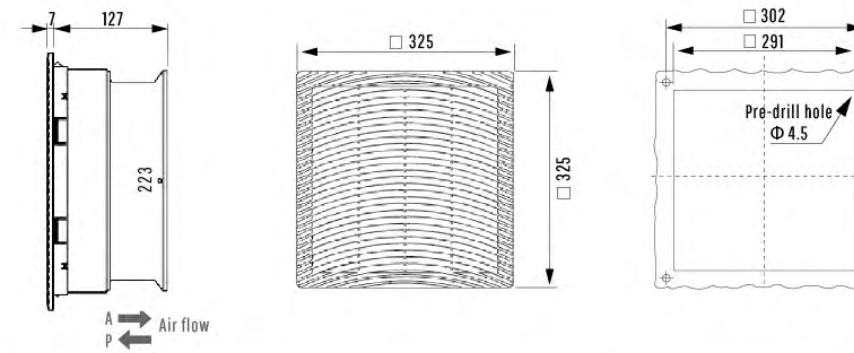
FK5526.300



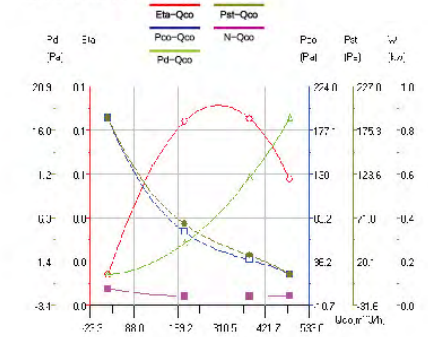
FK5527.230



Dimensions



Characteristics of Static Pressure



Model No.fan-and-filter unit LK	FK5527.230	FK5527.115
Rated operating voltage V	220V-240V	110V-120V
Frequency Hz	50/60	50/60
Air throughput,unimpeded air flow	650/800m³/h	650/800m³/h
Air throughput with Exit filter including standard filter mat	1×FK5526.300:500/600m³/h	
Axial fan	Capacitor operated	
Rated current max.	0.52A/0.65A	0.9A/0.95A
Rated Power	120/160W	120/160W
Noise level	70/72dB(A)	70/72dB(A)
Operating temperature range	-30 °C - +70 °C	-30 °C - +70 °C
Model No. Exit filter	FK5526.300	FK5526.300
Material	Made of injection-moulded thermoplastic, customizable flame retardant material (UL94-V0)	
Air flow direction	air-in as default; air-out optional	
Protection Level	IP54	



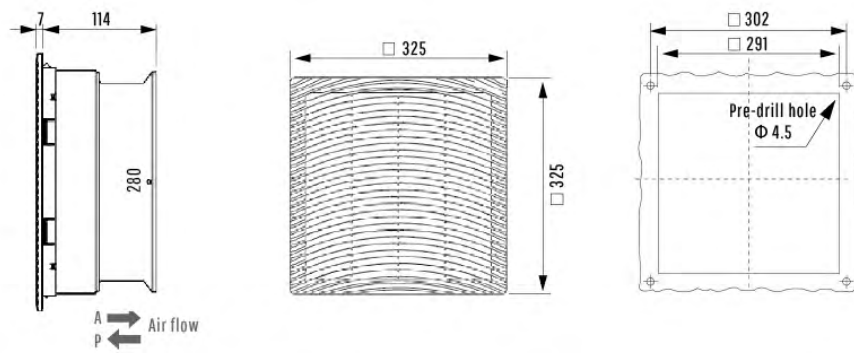
FK5526.300



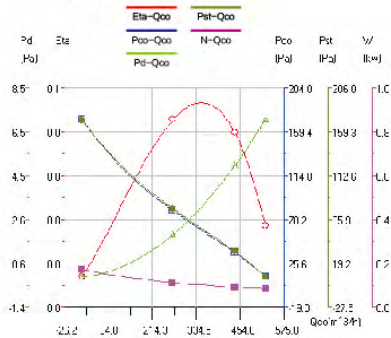
FK5528.230



Dimensions



Characteristics of Static Pressure



Model No.fan-and-filter unit LK	FK5528.230	FK5528.115
Rated operating voltage V	220V-240V	110V-120V
Frequency Hz	50/60	50/60
Air throughput,unimpeded air flow	1150/1350m³/h	1150/1350m³/h
Air throughput with Exit filter including standard filter mat	1×FK5526.300:750/950m³/h	
Axial fan	Capacitor operated	
Rated current max.	0.52A/0.65A	0.9A/0.95A
Rated Power	120/160W	120/160W
Noise level	70/72dB(A)	70/72dB(A)
Operating temperature range	-30 °C - +70 °C	-30 °C - +70 °C
Model No. Exit filter	FK5526.300	FK5526.300
Material	Made of injection-moulded thermoplastic, customizable flame retardant material (UL94-V0)	
Air flow direction	air-in as default; air-out optional	
Protection Level	IP54	



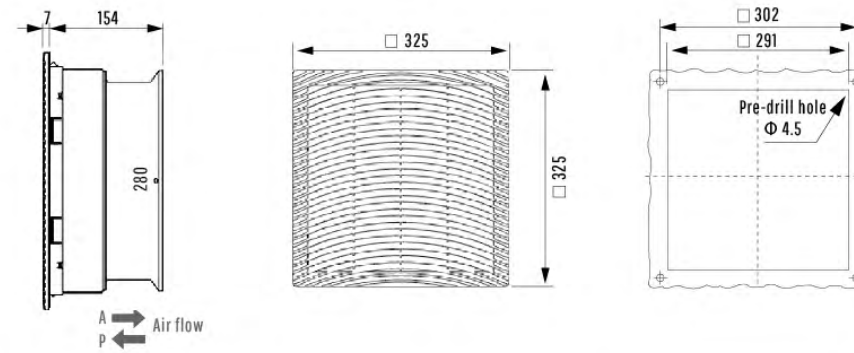
FK5526.300



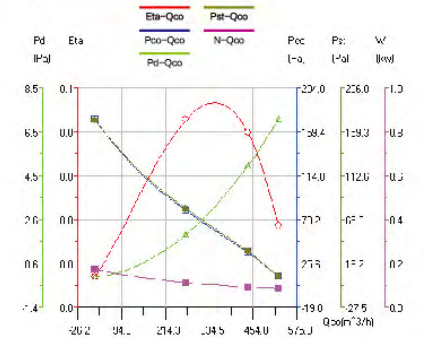
FK5529.230



Dimensions



Characteristics of Static Pressure

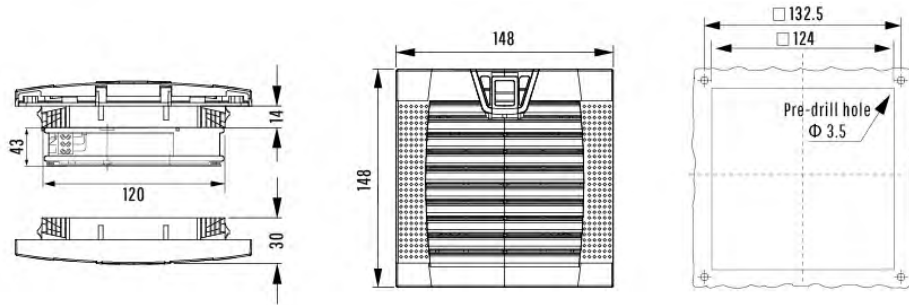


Model No.fan-and-filter unit LK	FK5529.230	FK5529.115
Rated operating voltage V	220V-240V	110V-120V
Frequency Hz	50/60	50/60
Air throughput,unimpeded air flow	1150/1350m³/h	1150/1350m³/h
Air throughput with Exit filter including standard filter mat	1×FK5526.300:750/950m³/h	
Axial fan	Capacitor operated	
Rated current max.	0.52A/0.65A	0.9A/0.95A
Rated Power	120/160W	120/160W
Noise level	70/72dB(A)	70/72dB(A)
Operating temperature range	-30 °C - +70 °C	-30 °C - +70 °C
Model No. Exit filter	FK5526.300	FK5526.300
Material	Made of injection-moulded thermoplastic, customizable flame retardant material (UL94-V0)	
Air flow direction	air-in as default; air-out optional	
Protection Level	IP54	

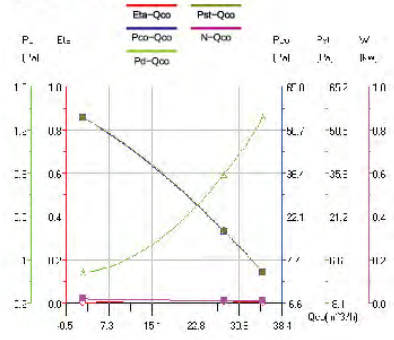
LK148 series fan-and-filter



Dimensions



Characteristics of Static Pressure



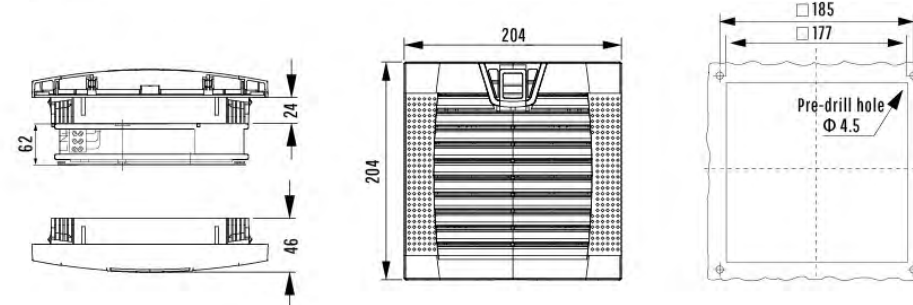
Model No.fan-and-filter unit LK	LK148.230	LK148.115	LK148.024
Rated operating voltage V	220V-240V	110V-120V	24V
Frequency Hz	50/60	50/60	-
Air throughput,unimpeded air flow	65/85m³/h	65/85m³/h	85m³/h
Air throughput with Exit filter including standard filter mat	1×LK148.300:55/70m³/h		
Axial fan	Self-starting shaded pole motor		DC motor
Rated current max.	0.12A/0.11A	0.24A/0.22A	0.35A
Rated Power	19/18W	19/18W	7.7W
Noise level	41/42dB(A)	41/42dB(A)	41dB(A)
Operating temperature range	-30 °C - +70 °C	-30 °C - +70 °C	-30 °C - +70 °C
Model No. Exit filter	LK148.300	LK148.300	LK148.300
Matching fan size	120×120 fan can be installed		
Material	Made of injection-moulded thermoplastic, customizable flame retardant material (UL94-V0)		
Air flow direction	air-in as default; air-out optional		
Protection Level	IP54		



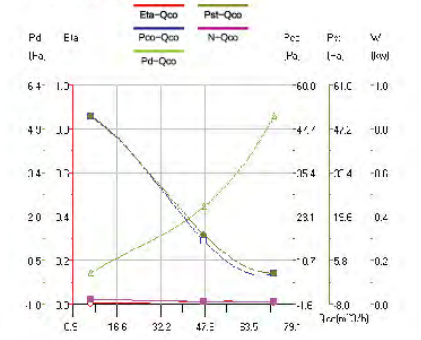
LK204 series fan-and-filter



Dimensions



Characteristics of Static Pressure



Model No.fan-and-filter unit LK	LK204.230	LK204.115	LK204.024
Rated operating voltage V	220V-240V	110V-120V	24V
Frequency Hz	50/60	50/60	-
Air throughput,unimpeded air flow	220/240m³/h	220/240m³/h	240m³/h
Air throughput with Exit filter including standard filter mat	1×LK204.300:155/185m³/h		
Axial fan	Self-starting shaded pole motor		DC motor
Rated current max.	0.24A/0.22A	0.48A/0.46A	0.58A
Rated Power	38/36W	38/36W	14W
Noise level	50/52dB(A)	50/52dB(A)	50dB(A)
Operating temperature range	-30 °C - +70 °C	-30 °C - +70 °C	-30 °C - +70 °C
Model No. Exit filter	LK204.300	LK204.300	LK204.300
Matching fan size	120×120,17251,162B fan can be installed		
Material	Made of injection-moulded thermoplastic, customizable flame retardant material (UL94-V0)		
Air flow direction	air-in as default; air-out optional		
Protection Level	IP54		

LK254 series fan-and-filter



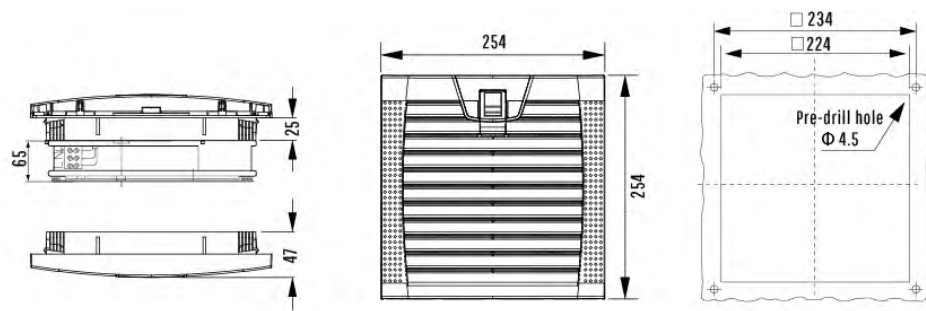
LK254.300



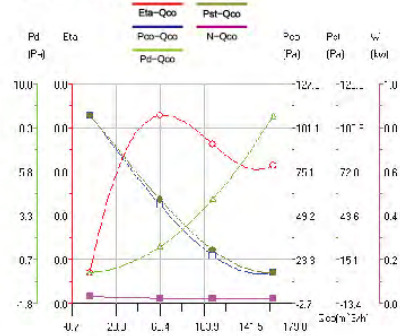
LK254.230



Dimensions



Characteristics of Static Pressure



Model No.fan-and-filter unit LK	LK254.230	LK254.115
Rated operating voltage V	220V-240V	110V-120V
Frequency Hz	50/60	50/60
Air throughput,unimpeded air flow	230/265m³/h	230/265m³/h
Air throughput with Exit filter including standard filter mat	1×LK254.300:190/215m³/h	
Axial fan	Self-starting shaded pole motor	
Rated current max.	0.30A/0.28A	0.52A/0.5A
Rated Power	41/38W	41/38W
Noise level	50/52dB(A)	50/52dB(A)
Operating temperature range	-30 °C - +70 °C	-30 °C - +70 °C
Model No. Exit filter	LK254.300	LK254.300
Matching fan size	17251,1628,180×180,205×205 fan can be installed	
Material	Made of injection-moulded thermoplastic, customizable flame retardant material (UL94-V0)	
Air flow direction	air-in as default; air-out optional	
Protection Level	IP54	



LK323 series fan-and-filter



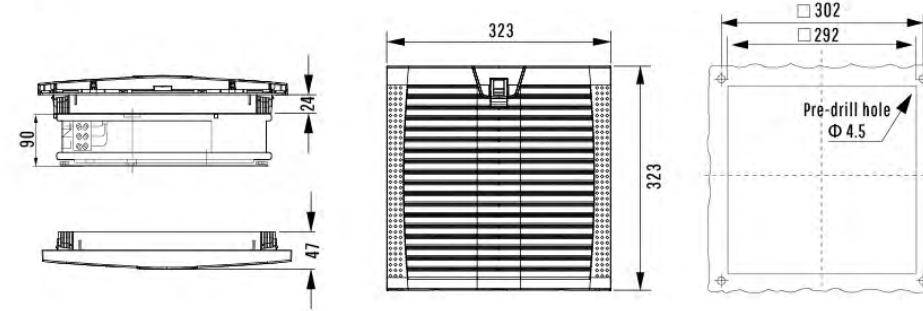
LK323.300



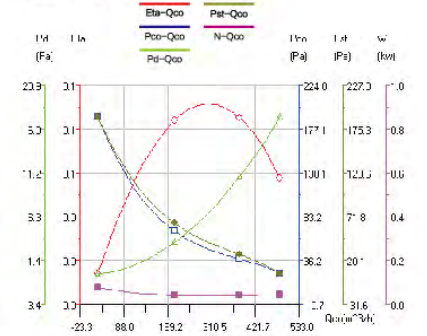
LK323.230



Dimensions



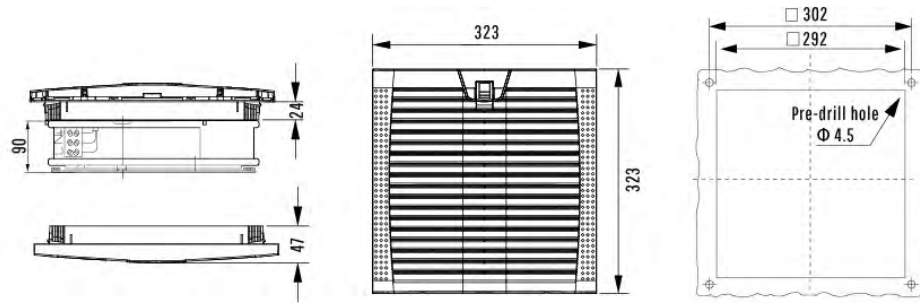
Characteristics of Static Pressure



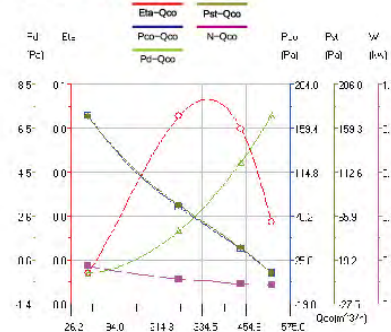
Model No.fan-and-filter unit LK	LK323.230	LK323.115
Rated operating voltage V	220V-240V	110V-120V
Frequency Hz	50/60	50/60
Air throughput,unimpeded air flow	550/600m³/h	550/600m³/h
Air throughput with Exit filter including standard filter mat	1×LK323.300:380/410m³/h	
Axial fan	Capacitor operated	
Rated current max.	0.29A/0.37A	0.52A/0.55A
Rated Power	65/80W	65/80W
Noise level	62/65dB(A)	62/65dB(A)
Operating temperature range	-30 °C - +70 °C	-30 °C - +70 °C
Model No. Exit filter	LK323.300	LK323.300
Matching fan size	220B,250B,260B fan can be installed	
Material	Made of injection-moulded thermoplastic, customizable flame retardant material (UL94-V0)	
Air flow direction	air-in as default; air-out optional	
Protection Level	IP54	



Dimensions



Characteristics of Static Pressure



Model No. fan-and-filter unit LK	LK323-D.230	LK323-D.115
Rated operating voltage V	220V-240V	110V-120V
Frequency Hz	50/60	50/60
Air throughput, unimpeded air flow	1150/1350m³/h	1150/1350m³/h
Air throughput with Exit filter including standard filter mat	1×LK323.300:750/950m³/h	
Axial fan	Capacitor operated	
Rated current max.	0.52A/0.65A	0.9A/0.95A
Rated Power	120/160W	120/160W
Noise level	70/72dB(A)	70/72dB(A)
Operating temperature range	-30°C - +70°C	-30°C - +70°C
Model No. Exit filter	LK323.300	LK323.300
Matching fan size	320B fan can be installed	
Material	Made of injection-moulded thermoplastic, customizable flame retardant material (UL94-V0)	
Air flow direction	air-in as default; air-out optional	
Protection Level	IP54	

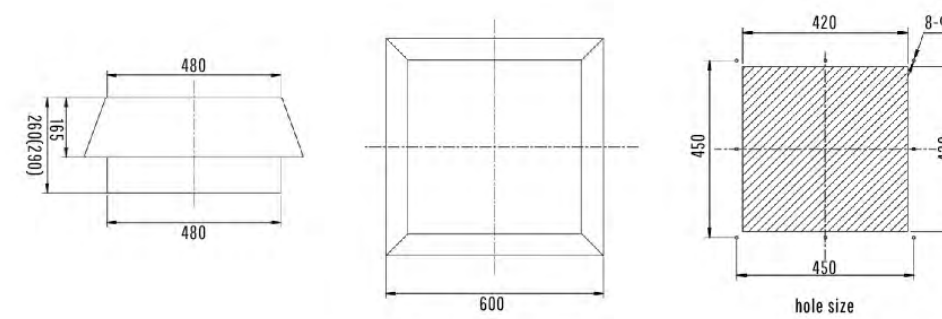


Customizable stainless steel material

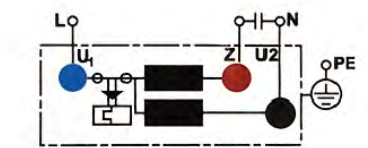
Installation conditions:

- The ambient temperature should be lower than the required temperature in the control cabinet.
- When the space in the cabinet is insufficient to install the side-mounted filter fan, the top-mounted fan can be considered.
- The fan on the top of the cabinet protects the electrical components of the cabinet by pumping hot air from the top of the control cabinet and dispersing the heat inside the cabinet out of the cabinet.
- The use of centrifugal fan can not only avoid the eddy current caused by the discharge of ordinary shielded pole fan, but also reduce the noise caused by air friction.

Dimensions



Electrical wiring diagram



Model No.	unit	PTF60260	PTF60290
Rated operating voltage, frequency	V, Hz	230, 50	230, 50
Air flow	m³/h	2500	3150
Rated current max.	A	0.80-1.20	1.18
Centrifugal fan		Capacitor start	Capacitor start
Rated Power	W	180-270	180-270
Noise level	dB(A)	66-68	70
Operating temperature range	°C	-10-+60	-10-+60
Dimensions	mm	600x260x600	600x290x600
Fans dimensions	mm	Φ 355	Φ 400
Mounting section size	mm	420x420	450x450

* Air inlet can choose our fan filter, the opening size is usually 292x292mm, details can be contacted with the sales staff!

KRF series cabinet top ventilator



The air inlet adopts SG series ventilation cascade, which can prevent moisture and dust from entering. With the rapid installation system, only a square hole needs to be opened under the cabinet.

KRF.230

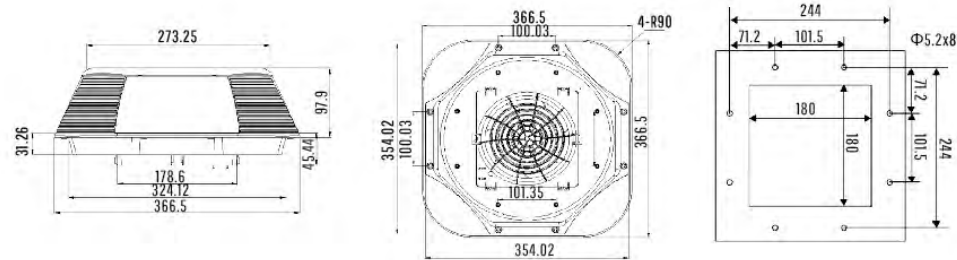


Temperature



Humidity

Dimensions



Technical explanation:

- The premise of using top-mounted fan.
- Ambient temperature should be lower than the temperature that is required to be in the switchboard. Taking top-mounted fan into account when there isn't enough space for a side-mounted filter fan in the cabinet.
- Top-mounted fan of the cabinet will bleed the air from the top of the cabinet and drive the heat out so as to protect the electric apparatus and keep them running at the temperature within controllable range. And the structure is more proper because it won't take up space in the cabinet.

Model	unit	KRF-670	KRF-950	KRF-1410
Rated voltage	V	230	230	230
Rated frequency	Hz	50/60	50/60	50/60
Air flow	m ³ /h	620/650	910/940	1250/1350
free discharge of air	m ³ /h	500/510	780/800	980/1020
Centrifugal fan	-	Capacitor start	Capacitor start	Capacitor start
Rated current	A	0.31-0.24	0.38-0.36	0.62-0.58
Rated Power	W	72-56	88-82	190-130
Noise level	dB(A)	55-56	60-62	65-70
Operating temperature range	°C	-10-60	-10-60	-10-60

The number and size of air inlet filter can be determined according to the actual situation. The company can provide different voltage products according to customer requirements.

* Air inlet can choose our fan filter, the opening size is usually 292x292mm, details can be contacted with the sales staff



KTF series cabinet top ventilator

KTF.230



Note: Use of a temperature controller or temperature display device is suggested for optimal performance.
Supply lists: A complete set of assemblies for installation directly on cabinet, including filter mat

Easy to fit and maintain

- Innovative mounting clamps enables flexible snap-in the filter fan either from inside or outside of the enclosure
- Easily connecting with power supply via a plug
- Easy maintain, safe and quick replacement of filter pad

Large air throughput range and high efficiency

- Air throughput range: 500-1500m³/h

High protection level

- International certification and approval

Color: RAL 7035

Protection class, conform to IEC60529 standard:

- IP 32

Model No.	unit	KTF3139.230 (115V - 400V customizable)	KTF3140.230 (115V - 400V customizable)	KTF3141.230 (115V - 400V customizable)
Rated voltage	V	230	230	230
Rated frequency	Hz	50/60	50/60	50/60
Air throughput (without filter mat)	m ³ /h	570/620	873/965	1300/1450
Air throughput (with filter mat)	m ³ /h	456/496	725/759	1050/1180
Rated current	A	0.27/0.22	0.56/0.43	0.99/0.88
Fuse current	A	6	6	6
Rated Power	W	62/50	130/98	180/135
Width/Height/Depth	mm	400x133x400	400x133x400	400x133x400
Max.mounting depth	mm	34.6	34.6	34.6
Required mounting section size	mm	258x258	258x258	258x258
Fan type	-	Centrifugal, capacitor motor		
Operating temperature range	°C	-10-+60		
Storage temperature range	°C	-40-+70		

* Air inlet can choose our fan filter, the opening size is usually 292x292mm, details can be contacted with the sales staff

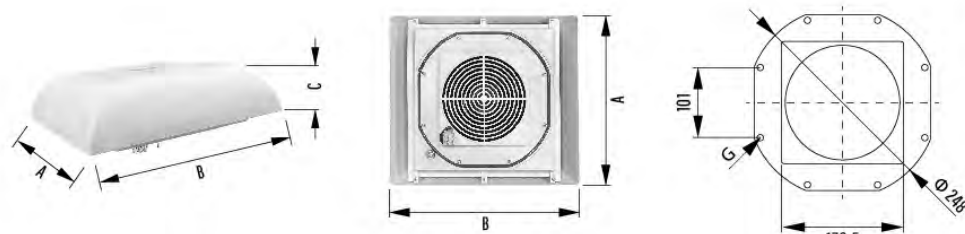
F2E series cabinet top ventilator



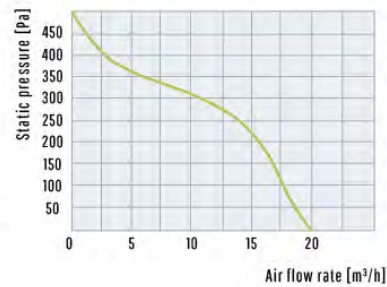
F2E.230



Dimensions



Characteristics of static pressure



Type	A	B	C	G
F2E 190-230-DH	400	350	127	Ø5
F2E 220-230-DH	400	350	127	Ø5
F2E 225-230-DH	400	350	127	Ø5

Model	F2E190-230-DH	F2E220-230-DH	F2E225-230-DH
Rated voltage, Rated frequency	230V 50/60HZ	230V 50/60HZ	230V 50/60HZ
Air flow, Ventilation freely	570/620m³/h	860/900m³/h	1200/1340m³/h
Flux of air equip filter exported Include filtering pad of standard	1xLK6626.300 456/496m³/h	1xLK6626.300 688/540m³/h	1xLK6626.300 960/1072m³/h
Rated current	0.34/0.26A	0.40/0.38A	0.88/0.60A
Rated Power	75/58W	90/85W	200/135W
Noise level	62/64 dBA	73/74 dBA	69/71 dBA
Operating temperature range	-10°C-60°C	-10°C-60°C	-10°C-60°C

The quantity and size of the wind inlet filter can be decided according to the concrete requirement

F2E series cabinet top ventilator

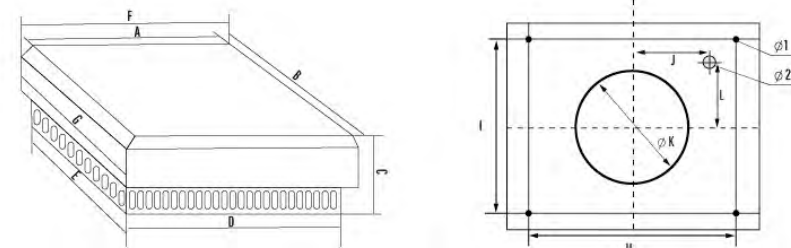


F2E.190

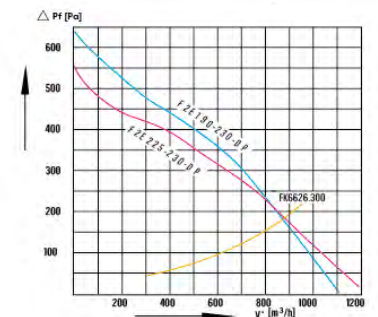


The high-power centrifugal top fan can vent the high heat load by the greatest degree. The centrifugal fan not only can avoid the vortex vented by the general shield magnetic fan, but also can reduce the noise caused by the friction of air. The FK series of Exit Filter can be used in the inlet in order to prevent from entering the humidity and dust.

Dimensions



Power specific property curve



Type	A/B	C	D/E	F/G	H/I	J	ØK	Ø1	Ø2	L
F2E190-230-DP	270	130	267	310	226.8	98.4	195	7.8	15	97
F2E 220-230-DP	270	130	267	310	226.8	98.4	195	7.8	15	97
F2E 225-230-DP	270	130	267	310	226.8	98.4	195	7.8	15	97

Model	F2E190-230-DP	F2E220-230-DP	F2E225-230-DP
Rated voltage, Rated frequency	230V 50/60Hz	230V 50/60Hz	230V 50/60Hz
Air flow, Ventilation freely	570/620m³/h	860/900m³/h	1200/1340m³/h
Flux of air equip filter exported Include filtering pad of standard	1xLK6626.300 456/496m³/h	1xLK6626.300 688/540m³/h	1xLK6626.300 960/1072m³/h
Rated current	0.34/0.26A	0.40/0.38A	0.88/0.60A
Rated Power	75/58W	90/85W	200/135W
Noise level	62/64 dBA	73/74 dBA	69/71 dBA
Operating temperature range	-10°C-60°C	-10°C-60°C	-10°C-60°C

The quantity and size of the wind inlet filter can be decided according to the concrete requirement

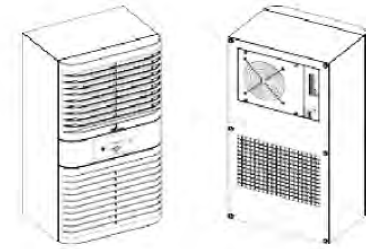
EIA Industrial Air-cooled Conditioner (500W)



Features:

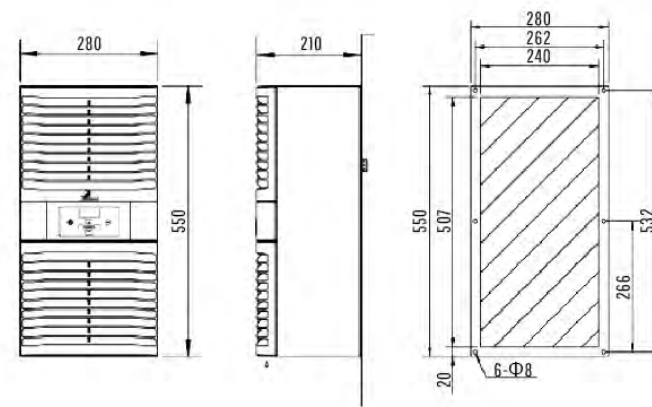
- Intelligent inverter control, without transient electric current, up to 40% less energy-consumption.
- Complete isolation inside and outside, dust-proof, oil&mist proof, moisture-proof etc.
- Compact size, Compatible with main models in the industry.
- Flexible working temperature adjustment from -15- +55℃.
- Chinese and English bilingual LCD display menu, easy access to parameter setting and alarm information checking.
- Providing MODBUS communication, with power on START-UP function.
- Dust-proof net plug, quick change conveniently.
- Condensate water treatment, efficient solution to the problem of condensate discharge.
- Nano coating, anti-corrosion ability.
- Selectable smoke, access control and flooding alarm.
- 7*24*365 uninterrupted operation for more than 10 years.

Dimensions



Side mounting

Installation opening size



Model	unit	EIA05
Height/Width/Depth	mm	550x280x210
Quality-kg	kg	<17
Installation Mode		outdoor (side mounting)
Working Temperature	°C	-15 - +55
Noise Level	dB(A)	65
IP protection class		IP54
Refrigerant		R134a
Refrigerating capacity @L35/L35	W	500-550
Input power @L35/L35	W	260-280
Input current @L35/L35	A	1.3-1.35
Rated Voltage	V, Hz	1-, 220, 50/60



EIA Industrial Air-cooled Conditioner (1000-2000W)



Features:

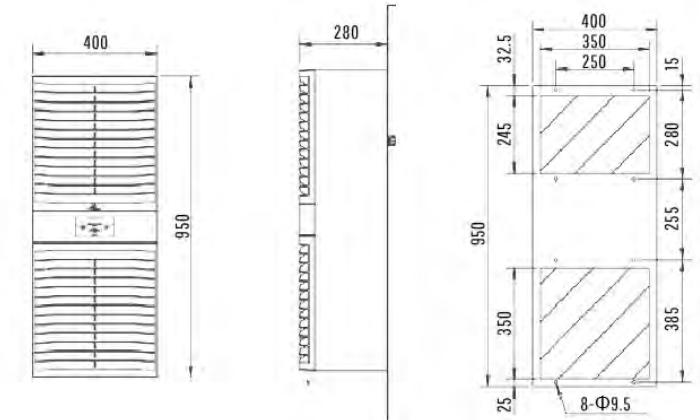
- Intelligent inverter control, without transient electric current, up to 40% less energy-consumption.
- Complete isolation inside and outside, dust-proof, oil&mist proof, moisture-proof etc.
- Compact size, Compatible with main models in the industry.
- Flexible working temperature adjustment from -15- +55℃.
- Chinese and English bilingual LCD display menu, easy access to parameter setting and alarm information checking.
- Providing MODBUS communication, with power on START-UP function.
- Dust-proof net plug, quick change conveniently.
- Condensate water treatment, efficient solution to the problem of condensate discharge.
- Nano coating, anti-corrosion ability.
- Selectable smoke, access control and flooding alarm.
- 7*24*365 uninterrupted operation for more than 10 years.

Dimensions



Side mounting

Installation opening size



Model	unit	EIA10	EIA15	EIA20
Height/Width/Depth	mm	950x400x280	950x400x280	950x400x280
Quality-kg	kg	<41	<41	<41
Installation Mode		outdoor (side mounting)	outdoor (side mounting)	outdoor (side mounting)
Working Temperature	°C	-15- +55	-15- +55	-15- +55
Noise Level	dB(A)	65	65	65
IP protection class		IP 54	IP 54	IP 54
Refrigerant		R134a	R134a	R134a
Refrigerating capacity @L35/L35	W	1100/1300	1500/1700	2000/2100
Input power @L35/L35	W	540/680	750/900	1000/1200
Input current @L35/L35	A	2.5/3.2	3.5/4.2	4.6/5.7
Rated Voltage	V, Hz	1-, 220, 50/60	1-, 220, 50/60	1-, 220, 50/60

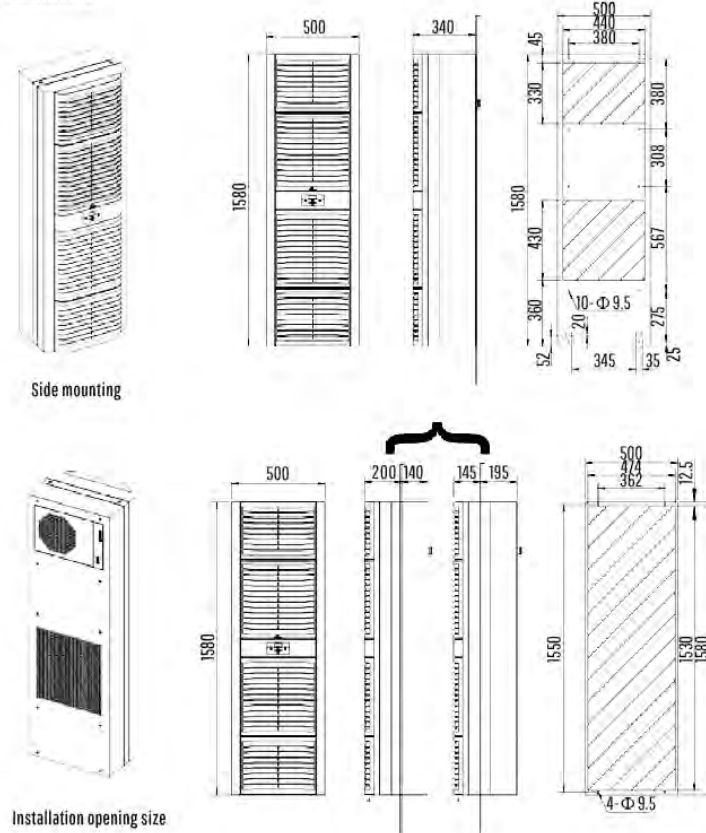
EIA Industrial Air-cooled Conditioner (4000W)



Features:

- Intelligent inverter control, without transient electric current, up to 40% less energy-consumption.
- Complete isolation inside and outside, dust-proof, oil&mist proof, moisture-proof etc.
- Compact size, Compatible with main models in the industry.
- Flexible working temperature adjustment from -15~+55℃.
- Chinese and English bilingual LCD display menu, easy access to parameter setting and alarm information checking.
- Providing MODBUS communication, with power on START-UP function.
- Dust-proof net plug, quick change conveniently.
- Condensate water treatment, efficient solution to the problem of condensate discharge.
- Nano coating, anti-corrosion ability.
- Selectable smoke, access control and flooding alarm.
- 7*24*365 uninterrupted operation for more than 10 years.

Dimensions



Side mounting

Installation opening size

Model	unit	EIA40
Height/Width/Depth	mm	1580x500x340
Quality-kg	kg	89
Installation Mode		Side mounting / door mounting
Working Temperature	°C	-15 ~ +55
Noise Level	dB(A)	65
IP protection class		IP54
Refrigerant		R134a
Refrigerating capacity @L35/L35	W	4000/4500
Input power @L35/L35	W	1900/2600
Input current @L35/L35	A	3.1/4.2
Rated Voltage	V, Hz	3~, 380, 50/60
Air switch	P, A	3, 10



PW6-A series Air-cooled Conditioner (Economical series)



Working principle

As shown in the figure below, the low-pressure steam of the refrigerant in the refrigeration system is drawn in by the compressor and compressed into high-pressure steam, which is then discharged to the condenser. At the same time, the air drawn in by the fan outside the cabinet flows through the condenser, taking away the heat released by the refrigerant, so that the high-pressure refrigerant steam condenses into high-pressure liquid. After passing through the throttling device, the high-pressure liquid is sprayed into the evaporator and evaporated under the corresponding low pressure to absorb the surrounding heat. At the same time, the fan in the cabinet makes the air continuously exchange heat through the fins of the evaporator, and sends the cooled air to the cabinet. In this way, the temperature inside the cabinet can be reduced.

Product feature

1. The brand refrigeration device is equipped with excellent air flow circuit design, which makes the refrigeration more powerful.
2. Excellent condensate isolation design to ensure safe operation of components in the cabinet.
3. R134a and other environmental friendly refrigerants are used in the whole series to reduce environmental pollution and meet international environmental protection standards.
4. The air inlet and outlet are designed over a long distance to ensure a good air circulation in the cabinet.
5. The whole series of AC200-240v 50 / 60Hz is universal, meeting the needs of the vast majority of national power grids in the world.
6. One installation size is compatible with multiple cooling power sections, which is convenient for standardization of cabinet opening.
7. Ultra thin design, minimum thickness 195mm, beautiful and space saving.
8. Condenser wide fin distance design, greatly extending the maintenance cycle.
9. Double filtration of filter screen and filter cotton, quick replacement, filter cotton of different density can be selected according to air cleanliness, or only filter can be used.
10. Built in intelligent condensate evaporation device (option), energy saving and efficient.
11. Non standard customization, including color, size, material, etc.
12. All series passed CE certification.



Industrial design

As a whole, the long design concept is adopted to increase the distance between the air inlet and outlet as much as possible, so as to extend the refrigeration path and prevent the high temperature dead zone in the cabinet. The direction of the external circulation air inlet and outlet is opposite. The internal circulation air inlet and outlet are set for a long distance to prevent the cooling efficiency from dropping due to the short circuit of the air flow. The minimum thickness is 195mm ultra-thin design, the external circulation air inlet adopts removable filter, and the filter screen and filter cotton can be installed according to the use environment.

Safety

1. The unique air-conditioning duct design and the double protection of the wire mesh ensure that 100% of the condensate flows out of the drain pipe to ensure the safe operation of the electrical parts in the cabinet. The built-in energy-saving condensate evaporator can also be selected.
2. The miniature circuit breaker is designed as the power switch of air conditioner, which has the function of short circuit and over-current protection.

Product function

1. Refrigeration: when the temperature in the cabinet is higher than the set temperature range, the refrigeration system works, when the temperature in the cabinet is lower than the set temperature range, the refrigeration system stops working.
2. Dehumidification: the air in the cabinet will be dehumidified automatically when the cabinet air conditioner is running.
3. Auxiliary heat (optional). When the temperature in the cabinet is lower than the heating start temperature, the auxiliary heat system starts to work. When the temperature in the cabinet is higher than the heating start temperature, the auxiliary heat system stops working.
4. The fan of air circulation and internal circulation system is always in operation state after being powered on. Even if the refrigeration system is not working, the temperature in the cabinet can be kept balanced.
5. Built in condensate evaporator (optional), optional built-in energy-saving condensate evaporator for automatic evaporation of internal circulating condensate.
6. Communication (optional), optional RS485 with communication function, communication with upper computer to realize remote control.
7. Alarm output: the refrigeration system provides passive contact alarm, and the contact acts in case of system failure.
8. Self start, pw6-a series cabinet air conditioner is started by incoming power.

Installation

1. The installation mode of PW6-A series cabinet air conditioner is wall mounted, which can be installed with cabinet side plate or door plate.
2. PW6-A series cabinet air conditioner only supports vertical installation, and the inclination angle is not greater than.
3. The distance between the cabinet air conditioning panel and the wall or other cabinet air conditioning panel shall be greater than.
4. In order to ensure the uniform cooling effect, it is recommended that the distance between the air outlet of the cabinet air conditioner and the components in the cabinet be no less than.
5. In order to reduce the generation of condensate, it is recommended to use it with the threshold switch.



Quality guarantee

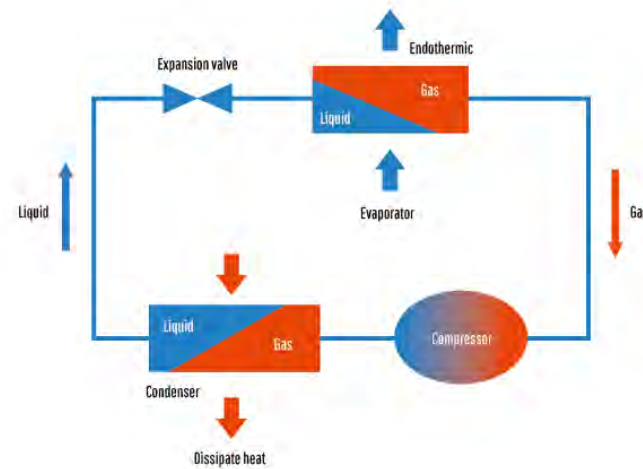
The warranty period of PW6-A series cabinet air conditioner is 18 months, and free maintenance and replacement services are provided within the warranty period.

Environmental protection

LINKWELL all cabinet air conditioning products use R134a and other environmental protection refrigerants, ODP = 0, ASHRAE safety level = A1 (non-toxic, non combustible).

Standard

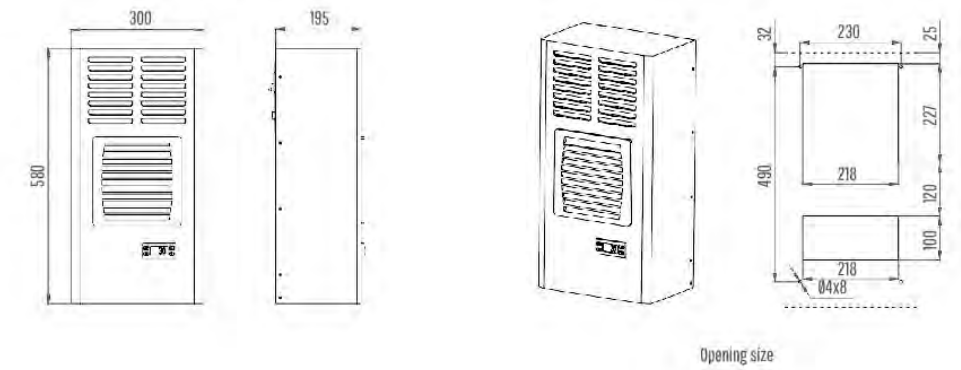
1. GB 4208 enclosure protection level.
2. Gb 4706.1 safety of household and similar electrical appliances.
3. GB 9237-2001 safety requirements for mechanical refrigeration systems for refrigeration and heating.
4. GB / t17626.8 electromagnetic compatibility test.
5. GB / T 4798.1, 2 and 3 environmental conditions for application of electric and electronic products.
6. EN55014-1 : 2017
7. EN55014-2 : 2015
8. EN61000-3-2 : 2014
9. EN61000-3-3 : 2013



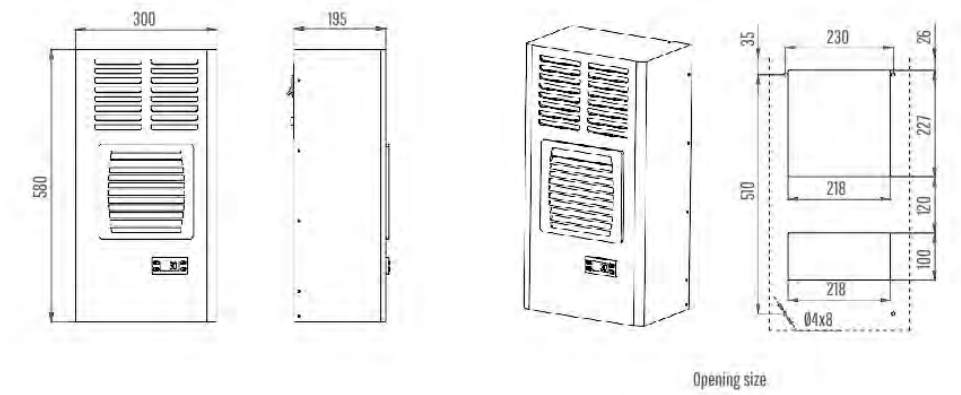
Model No.	PW603	PW605	PW606	PW608	PW610	PW612	PW615	PW620	PW625
Basic type order No.	601001	601002	601003	601004	601005	601006	601007	601008	601009
Anhydrous type order No.	601101	601102	601103	601104	601105	601106	601107	601108	601109
Rated refrigerating (W)	380	500	680	800	1000	1200	1500	2000	2500
Input power	Single phase 200V-240V 50/60Hz								
Basic type rated power (W)	200	320	350	350	530	530	650	800	950
Anhydrous typerated power(W)	550	670	770	770	1135	1135	1135	1500	1500
Wide/W (mm)	300	300	330	330	450	450	450	450	450
High/H (mm)	580	580	860	860	1250	1250	1250	1500	1500
Depth/D (mm)	195	195	213	213	213	213	213	245	245
Weight (kg)	20	24	28	30	45	46	48	65	68
Installation	Wall mounted								
Accessories	Compressor: Meizhi or Haili Fan: Siming, EBM, etc Refrigerant: Juhua, Dupont, Environmental protection refrigerant such as R134A								
Descriptions	Basic model: AC220V, 50-60Hz, Carbon steel shell, standard size, color RAL7035, please write down the model number and order number together								

Dimensions

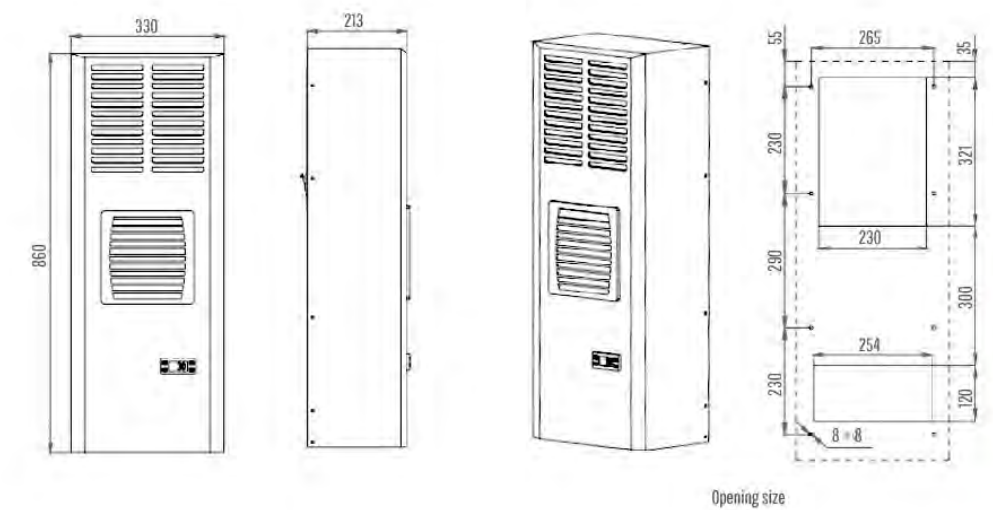
PW603



PW605



PW606/PW608

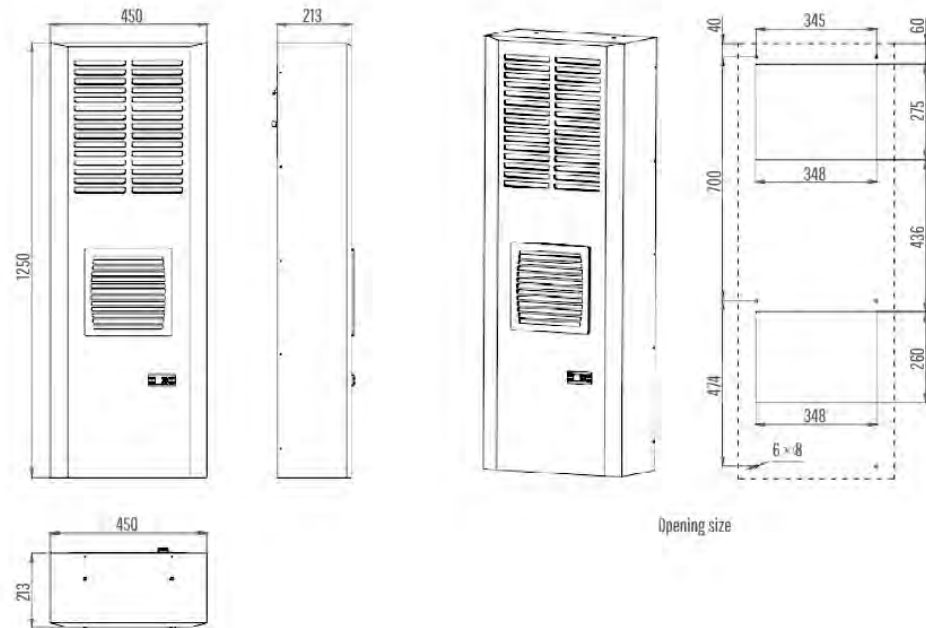


PW6-A series Air-cooled Conditioner (Economical series)

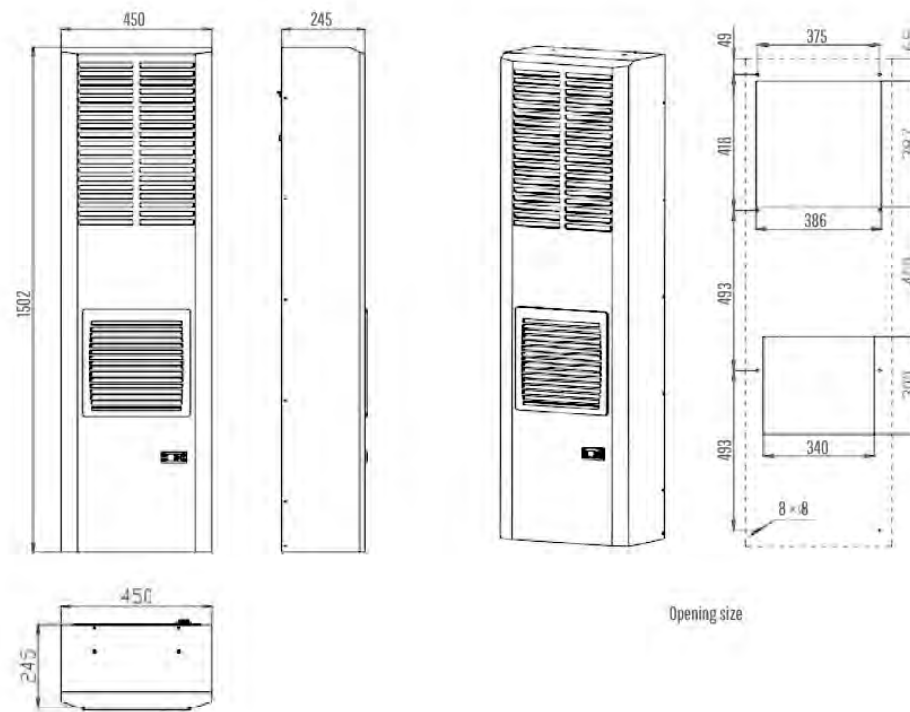


Dimensions

PW610/PW612/PW615



PW620/PW625

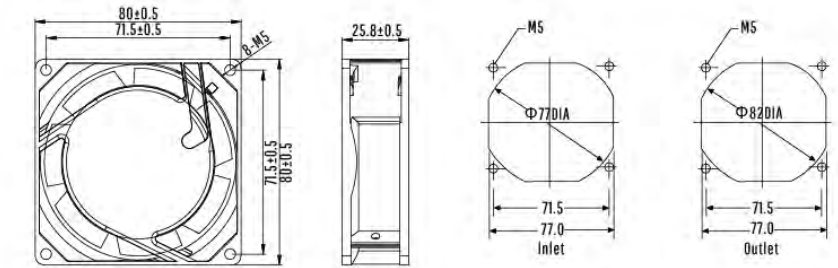


GN80 series axial fan (UL approved)



80×80×25mm	Protection Level: IP44
Motor structure: cover pole motor	Materials: fan blade: PBT, 7 blades
Withstand voltage: AC 1500V, at 0.5mA, 50/60Hz	Bearing: ball bearing
insulation grade: A	Motor life: 50000hrs

Dimensions



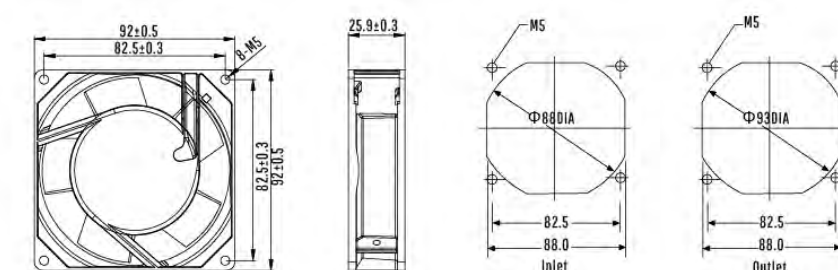
Model	size (mm)	Bearing System	Voltage (V)	Freq. (Hz)	Current (A)	Power (W)	Speed (RPM)	Air Flow (m ³ /h)	Noise (dB)	Operating temperature (°C)	Certification
GN80A1-E01	80×80×25	Ball	100/125	50/60	0.12	13	2300/2700	32/39	26	-30~65	UL, CE
GN80A2-E01	80×80×25	Ball	200/240	50/60	0.07	13	2300/2700	32/39	26	-30~65	CE

GN92 series axial fan (UL approved)



92×92×25mm	Protection Level: IP44
Motor structure: cover pole motor	Materials: fan blade: PBT, 5 blades
Withstand voltage: AC 1500V, at 0.5mA, 50/60Hz	Bearing: ball bearing
insulation grade: A	Motor life: 50000hrs

Dimensions



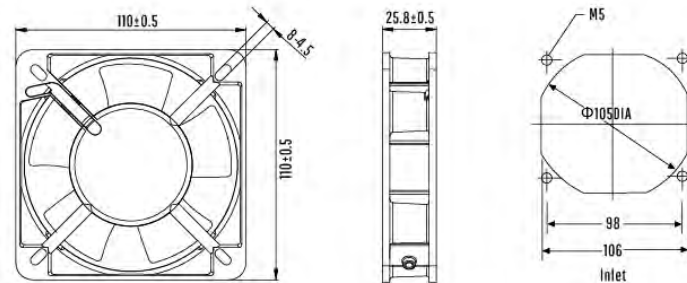
Model	size (mm)	Bearing System	Voltage (V)	Freq. (Hz)	Current (A)	Power (W)	Speed (RPM)	Air Flow (m ³ /h)	Noise (dB)	Operating temperature (°C)	Certification
GN92A1-E01	92×92×25	Ball	100/125	50/60	0.12	13	2350/2850	51/63	32	-30~65	UL, CE
GN92A2-E01	92×92×25	Ball	200/240	50/60	0.07	13	2350/2850	51/63	32	-30~65	CE

GN110A series axial fan (UL approved)



110×110×25mm	Protection Level: IP44
Motor structure: cover pole motor	Materials: fan blade: PBT, 5 blades
Withstand voltage: AC 1500V, at 0.5mA, 50/60Hz	Bearing: ball bearing
insulation grade: A	Motor life: 50000hrs

Dimensions



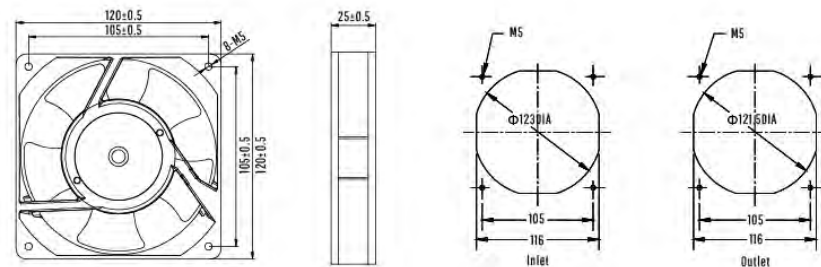
Model	size (mm)	Bearing System	Voltage (V)	Freq. (Hz)	Current (A)	Power (W)	Speed (RPM)	Air Flow (m³/h)	Noise (dB)	Operating temperature (°C)	Certification
GN110A1-E01	110×110×25	Ball	100/125	50/60	0.17	14/13	2000/2200	102/120	36	-30~65	UL, CCC
GN110A2-E01	110×110×25	Ball	200/240	50/60	0.07	14/13	2000/2200	102/120	36	-30~65	CE

GN120A series axial fan (UL approved)



120×120×25mm	Protection Level: IP44
Motor structure: cover pole motor	Materials: fan blade: PBT, 5 blades
Withstand voltage: AC 1500V, at 0.5mA, 50/60Hz	Bearing: ball bearing
insulation grade: A	Motor life: 50000hrs

Dimensions



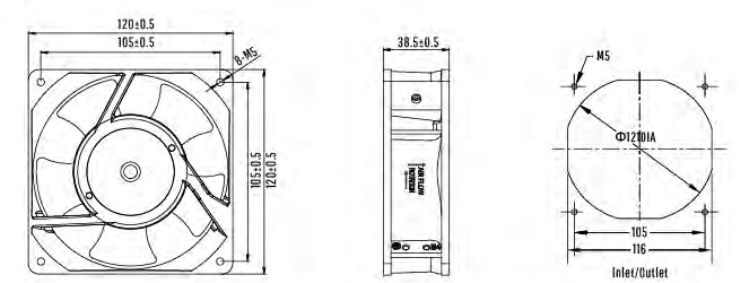
Model	size (mm)	Bearing System	Voltage (V)	Freq. (Hz)	Current (A)	Power (W)	Speed (RPM)	Air Flow (m³/h)	Noise (dB)	Operating temperature (°C)	Certification
GN120A1-E01	120×120×25	Ball	100/125	50/60	0.17	14/13	2000/2200	115/129	39	-30~65	UL, CCC
GN120A2-E01	120×120×25	Ball	200/240	50/60	0.07	14/13	2000/2200	115/129	39	-30~65	CE

GN120B series axial fan (UL approved)



120×120×38mm	Protection Level: IP44
Motor structure: cover pole motor	Materials: fan blade: PBT, 5 blades
Withstand voltage: AC 1500V, at 0.5mA, 50/60Hz	Bearing: ball bearing
insulation grade: A	Motor life: 50000hrs

Dimensions



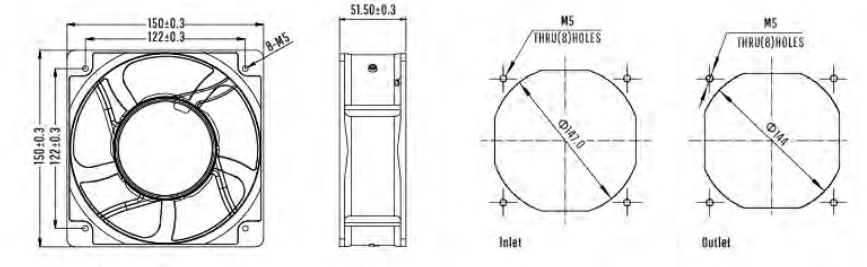
Model	size (mm)	Bearing System	Voltage (V)	Freq. (Hz)	Current (A)	Power (W)	Speed (RPM)	Air Flow (m³/h)	Noise (dB)	Operating temperature (°C)	Certification
GN120B1-E01	120×120×38	Ball	100/125	50/60	0.24	19/18	2600/2800	145/162	40	-30~65	UL, CCC
GN120B2-E01	120×120×38	Ball	200/240	50/60	0.12	19/18	2600/2800	145/162	40	-30~65	CE

GN150D series axial fan (UL approved)



150×150×51mm	Protection Level: IP44
Motor structure: cover pole motor	Materials: fan blade: PBT, 5 blades
Withstand voltage: AC 1500V, at 0.5mA, 50/60Hz	Bearing: ball bearing
insulation grade: A	Motor life: 50000hrs

Dimensions



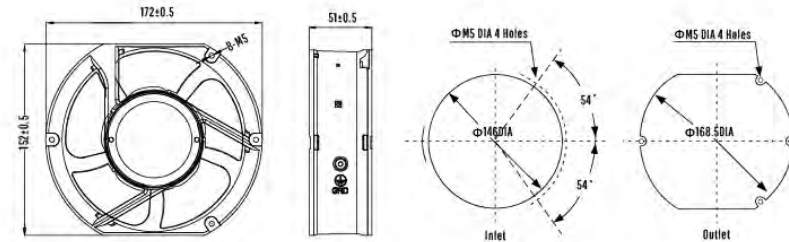
Model	size (mm)	Bearing System	Voltage (V)	Freq. (Hz)	Current (A)	Power (W)	Speed (RPM)	Air Flow (m³/h)	Noise (dB)	Operating temperature (°C)	Certification
GN150D1-E01	150×150×51	Ball	100/125	50/60	0.50	32/30	2600/2900	272/289	55	-30~65	UL, CCC
GN150D2-E01	150×150×51	Ball	200/240	50/60	0.24	32/30	2600/2900	272/289	55	-30~65	CE

GN170D series axial fan (UL approved)



172×150×51mm	Protection Level: IP44
Motor structure: cover pole motor	Materials: fan blade: PBT, 5 blades
Withstand voltage: AC 1500V, at 0.5mA, 50/60Hz	Bearing: ball bearing
insulation grade: A	Motor life: 50000hrs

Dimensions



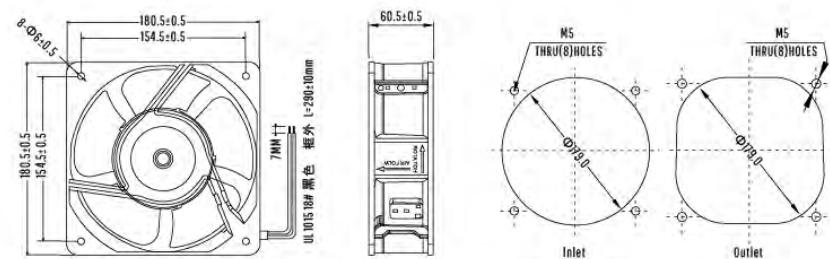
Model	size (mm)	Bearing System	Voltage (V)	Freq. (Hz)	Current (A)	Power (W)	Speed (RPM)	Air Flow (m³/h)	Noise (dB)	Operating temperature (°C)	Certification
GN170D1-E01	172×150×51	Ball	100/125	50/60	0.50	32/30	2600/2900	272/289	55	-30~65	UL, CCC
GN170D2-E01	172×150×51	Ball	200/240	50/60	0.24	32/30	2600/2900	272/289	55	-30~65	CE

GN180F series axial fan (UL approved)



180×180×60mm	Protection Level: IP44
Motor structure: cover pole motor	Materials: fan blade: PBT, 5 blades
Withstand voltage: AC 1500V, at 0.5mA, 50/60Hz	Bearing: ball bearing
insulation grade: A	Motor life: 50000hrs

Dimensions



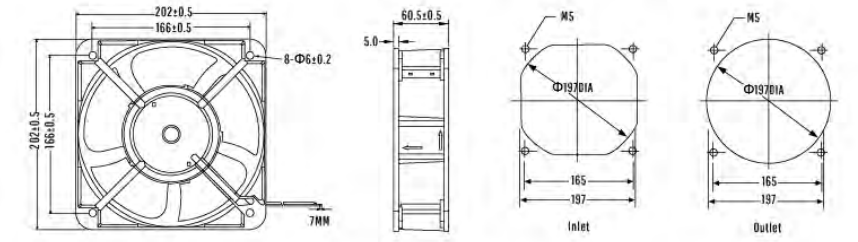
Model	size (mm)	Bearing System	Voltage (V)	Freq. (Hz)	Current (A)	Power (W)	Speed (RPM)	Air Flow (m³/h)	Noise (dB)	Operating temperature (°C)	Certification
GN180F1-E01	180×180×60	Ball	100/125	50/60	0.86	50/45	2650/2800	476/510	62	-30~65	UL, CCC
GN180F2-E01	180×180×60	Ball	200/240	50/60	0.45	50/45	2650/2800	476/510	62	-30~65	CE

GN200F series axial fan (UL approved)



200×200×60mm	Protection Level: IP44
Motor structure: cover pole motor	Materials: fan blade: PBT, 5 blades
Withstand voltage: AC 1500V, at 0.5mA, 50/60Hz	Bearing: ball bearing
insulation grade: A	Motor life: 50000hrs

Dimensions



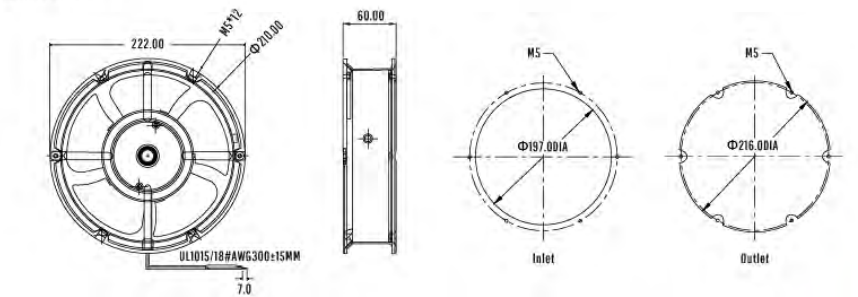
Model	size (mm)	Bearing System	Voltage (V)	Freq. (Hz)	Current (A)	Power (W)	Speed (RPM)	Air Flow (m³/h)	Noise (dB)	Operating temperature (°C)	Certification
GN200F1-E01	200×200×60	Ball	100/125	50/60	0.86	52/48	2650/2750	595/648	65	-30~65	UL, CCC
GN200F2-E01	200×200×60	Ball	200/240	50/60	0.45	52/48	2650/2750	595/648	65	-30~65	CE

GN220F series axial fan (UL approved)



Ø 220×60mm	Protection Level: IP44
Motor structure: cover pole motor	Materials: fan blade: PBT, 5 blades
Withstand voltage: AC 1500V, at 0.5mA, 50/60Hz	Bearing: ball bearing
insulation grade: A	Motor life: 50000hrs

Dimensions



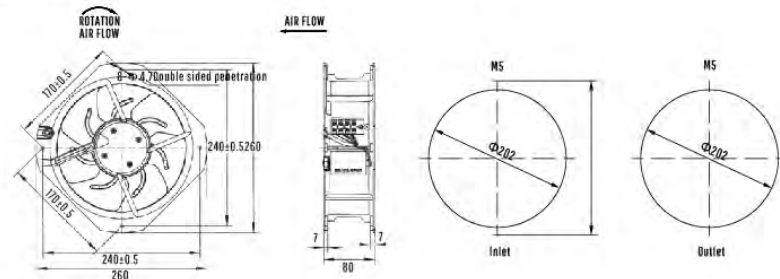
Model	size (mm)	Bearing System	Voltage (V)	Freq. (Hz)	Current (A)	Power (W)	Speed (RPM)	Air Flow (m³/h)	Noise (dB)	Operating temperature (°C)	Certification
GN220F1-E01	220×60	Ball	100/125	50/60	0.86	52/48	2650/2750	595/648	65	-30~65	UL, CCC
GN220F2-E01	220×60	Ball	200/240	50/60	0.45	52/48	2650/2750	595/648	65	-30~65	CE

GW225H series axial fan (UL approved)



225×225×80mm	Protection Level: IP44
Motor structure: Shaded pole motor	Materials: fan blade: 冷轧板, 9 blades
Withstand voltage: AC 1500V, at 2mA, 50/60Hz	Bearing: ball bearing
insulation grade: A	Motor life: 50000hrs

Dimensions



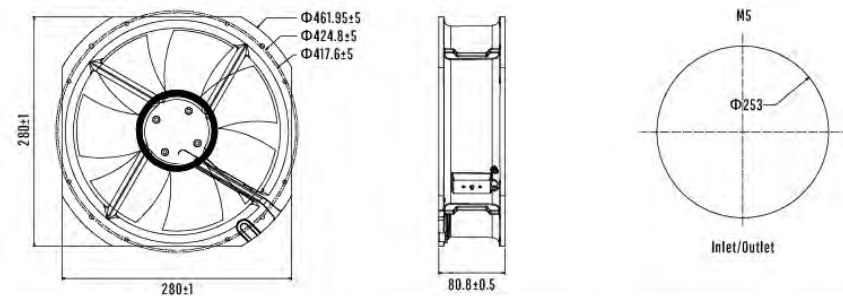
Model	size (mm)	Bearing System	Voltage (V)	Freq. (Hz)	Current (A)	Power (W)	Speed (RPM)	Air Flow (m³/h)	Noise (dB)	Operating temperature (°C)	Certification
GW225H1C-E01	225×225×80	Ball	100/125	50/60	0.68/0.65	67/77	2500/2700	925/1030	60	-30-80	UL, CCC
GW225H2C-E01	225×225×80	Ball	200/240	50/60	0.28/0.35	67/77	2500/2700	925/1030	60	-30-80	CE

GW280H series axial fan (UL approved)



280×280×80mm	Protection Level: IP44
Motor structure: Shaded pole motor	Materials: fan blade: Cold-Rolled Steel plate, 7 blades
Withstand voltage: AC 1500V, at 2mA, 50/60Hz	Bearing: ball bearing
insulation grade: A	Motor life: 50000hrs

Dimensions



Model	size (mm)	Bearing System	Voltage (V)	Freq. (Hz)	Current (A)	Power (W)	Speed (RPM)	Air Flow (m³/h)	Noise (dB)	Operating temperature (°C)	Certification
GW280H1C-E01	280×280×80	Ball	100/125	50/60	1.20/1.30	126/148	2400/2500	1865/1970	68	-30-80	UL, CCC
GW280H2C-E01	280×280×80	Ball	200/240	50/60	0.58/0.63	126/148	2400/2500	1865/1970	68	-30-80	CE

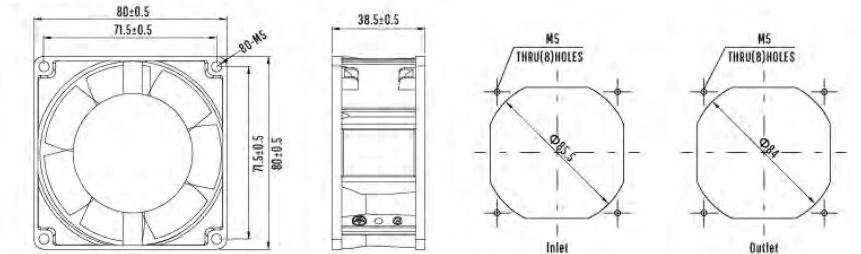


F2E 80S/B series axial fan



80×80×38mm	Protection Level: IP44
Motor structure: cover pole motor	Materials: fan blade: PBT, 7 blades
Withstand voltage: AC 1500V, at 0.5mA, 50/60Hz	Bearing: Sleeve bearing or ball bearing
insulation grade: F	Motor life: 30000/h (Sleeve bearing) 50000/h (ball bearing)

Dimensions



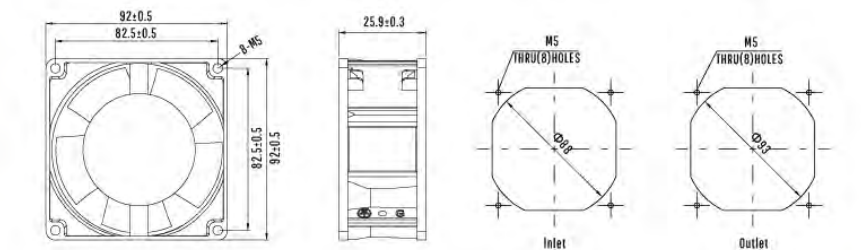
Model	size (mm)	Bearing System	Voltage (V)	Freq. (Hz)	Current (A)	Power (W)	Speed (RPM)	Air Flow (m³/h)	Noise (dB)	Operating temperature (°C)	Certification
F2E-80S-230	80×80×38	Sleeve	200/240	50/60	0.10	12/10	2300/2500	44/54	32	-10-60	CCC, CE
F2E-80S-115	80×80×38	Sleeve	100/125	50/60	0.18	12/10	2300/2500	44/54	32	-10-60	
F2E-80B-230	80×80×38	Ball	200/240	50/60	0.10	12/10	2300/2500	44/54	32	-30-65	
F2E-80B-115	80×80×38	Ball	100/125	50/60	0.18	12/10	2300/2500	44/54	32	-30-65	

F2E 92S/B series axial fan



92×92×25mm	Protection Level: IP44
Motor structure: cover pole motor	Materials: fan blade: PBT, 7 blades
Withstand voltage: AC 1500V, at 0.5mA, 50/60Hz	Bearing: Sleeve bearing or ball bearing
insulation grade: F	Motor life: 30000/h (Sleeve bearing) 50000/h (ball bearing)

Dimensions



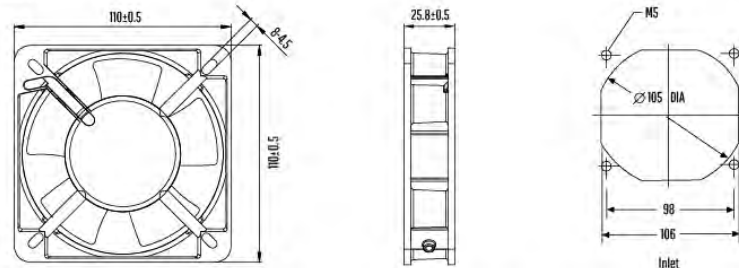
Model	size (mm)	Bearing System	Voltage (V)	Freq. (Hz)	Current (A)	Power (W)	Speed (RPM)	Air Flow (m³/h)	Noise (dB)	Operating temperature (°C)	Certification
F2E-92S-230	92×92×25	Sleeve	200/240	50/60	0.07	13/12	2300/2500	51/63	32	-10-60	CCC, CE
F2E-92S-115	92×92×25	Sleeve	100/125	50/60	0.14	13/12	2300/2500	51/63	32	-10-60	
F2E-92B-230	92×92×25	Ball	200/240	50/60	0.07	13/12	2300/2500	51/63	32	-30-65	
F2E-92B-115	92×92×25	Ball	100/125	50/60	0.14	13/12	2300/2500	51/63	32	-30-65	

F2E 110S/B series axial fan



110×110×25mm	Protection Level: IP44
Motor structure: cover pole motor	Materials: fan blade: PBT, 5 blades
Withstand voltage: AC 1500V, at 0.5mA, 50/60Hz	Bearing: Sleeve bearing or ball bearing
insulation grade: F	Motor life: 30000/h (Sleeve bearing) 50000/h (ball bearing)

Dimensions



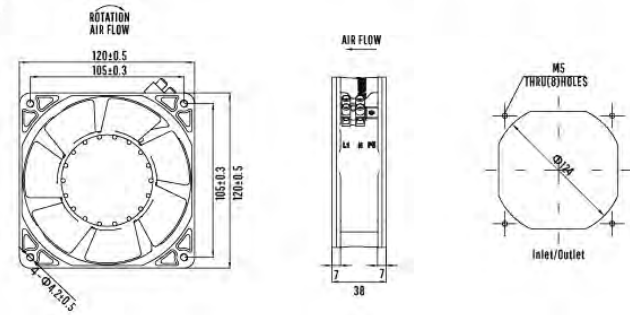
Model	size (mm)	Bearing System	Voltage (V)	Freq. (Hz)	Current (A)	Power (W)	Speed (RPM)	Air Flow (m³/h)	Noise (dB)	Operating temperature (°C)	Certification
F2E-110S-230	110×110×25	Sleeve	200/240	50/60	0.07	13/12	2000/2100	102/120	36	-10-60	CE
F2E-110S-115	110×110×25	Sleeve	100/125	50/60	0.14	13/12	2000/2100	102/120	36	-10-60	
F2E-110B-230	110×110×25	Ball	200/240	50/60	0.07	13/12	2000/2100	102/120	36	-30-65	
F2E-110B-115	110×110×25	Ball	100/125	50/60	0.14	13/12	2000/2100	102/120	36	-30-65	

F2E 120S/B series axial fan



120×120×38mm	Protection Level: IP44
Motor structure: cover pole motor	Materials: fan blade: PBT, 7 blades
Withstand voltage: AC 1500V, at 0.5mA, 50/60Hz	Bearing: Sleeve bearing or ball bearing
insulation grade: F	Motor life: 30000/h (Sleeve bearing) 50000/h (ball bearing)

Dimensions



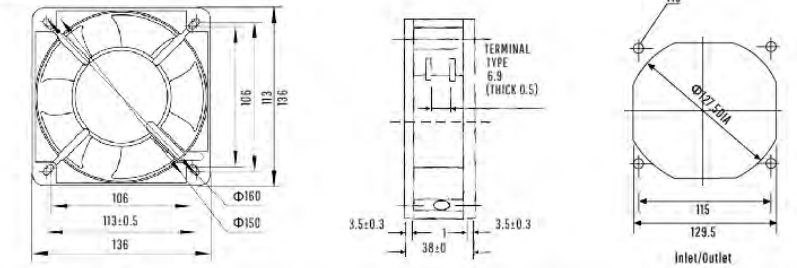
Model	size (mm)	Bearing System	Voltage (V)	Freq. (Hz)	Current (A)	Power (W)	Speed (RPM)	Air Flow (m³/h)	Noise (dB)	Operating temperature (°C)	Certification
F2E-120S-230	120×120×38	Sleeve	200/240	50/60	0.13	19/18	2600/2800	145/162	42	-10-60	CE
F2E-120S-115	120×120×38	Sleeve	100/125	50/60	0.26	19/18	2600/2800	145/162	42	-10-60	
F2E-120B-230	120×120×38	Ball	200/240	50/60	0.13	19/18	2600/2800	145/162	42	-30-65	
F2E-120B-115	120×120×38	Ball	100/125	50/60	0.26	19/18	2600/2800	145/162	42	-30-65	

F2E 135S/B series axial fan



135×135×38mm	Protection Level: IP44
Motor structure: cover pole motor	Materials: fan blade: PBT, 5 blades
Withstand voltage: AC 1500V, at 0.5mA, 50/60Hz	Bearing: Sleeve bearing or ball bearing
insulation grade: F	Motor life: 30000/h (Sleeve bearing) 50000/h (ball bearing)

Dimensions



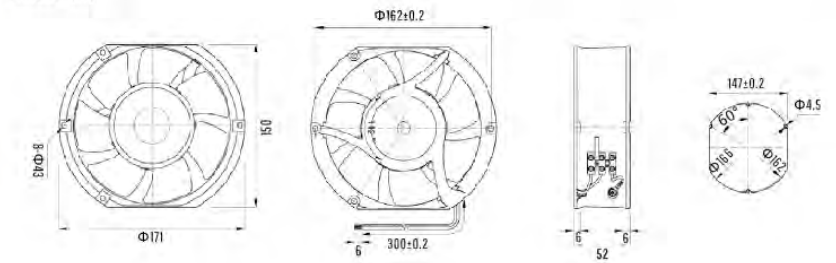
Model	size (mm)	Bearing System	Voltage (V)	Freq. (Hz)	Current (A)	Power (W)	Speed (RPM)	Air Flow (m³/h)	Noise (dB)	Operating temperature (°C)	Certification
F2E-135S-230	135×135×38	Sleeve	200/240	50/60	0.16	23/20	2600/3050	192/233	42	-10-60	CE
F2E-135S-115	135×135×38	Sleeve	100/125	50/60	0.28	23/20	2600/3050	192/233	42	-10-60	
F2E-135B-230	135×135×38	Ball	200/240	50/60	0.16	23/20	2600/3050	192/233	42	-30-65	
F2E-135B-115	135×135×38	Ball	100/125	50/60	0.28	23/20	2600/3050	192/233	42	-30-65	

F2E 150S/B series axial fan



172×150×51mm	Protection Level: IP44
Motor structure: cover pole motor	Materials: fan blade: PBT, 7 blades
Withstand voltage: AC 1500V, at 0.5mA, 50/60Hz	Bearing: Sleeve bearing or ball bearing
insulation grade: F	Motor life: 30000/h (Sleeve bearing) 50000/h (ball bearing)

Dimensions



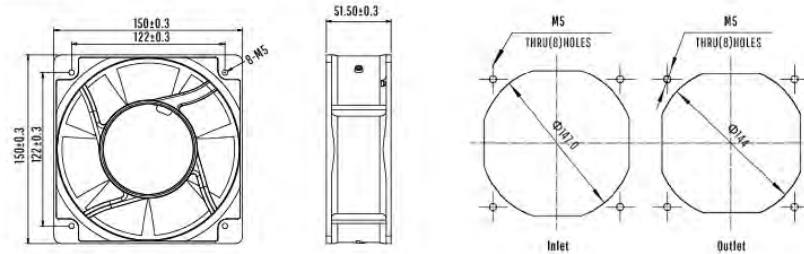
Model	size (mm)	Bearing System	Voltage (V)	Freq. (Hz)	Current (A)	Power (W)	Speed (RPM)	Air Flow (m³/h)	Noise (dB)	Operating temperature (°C)	Certification
F2E-150S-230	172×150×51	Sleeve	200/240	50/60	0.25	36/34	2500/2600	323/356	56	-10-60	CE
F2E-150S-115	172×150×51	Sleeve	100/125	50/60	0.5	36/34	2500/2600	323/356	56	-10-60	
F2E-150B-230	172×150×51	Ball	200/240	50/60	0.25	36/34	2500/2600	323/356	56	-30-65	
F2E-150B-115	172×150×51	Ball	100/125	50/60	0.5	36/34	2500/2600	323/356	56	-30-65	

F2E 150S/B-F series axial fan



150×150×51mm	Protection Level: IP44
Motor structure: cover pole motor	Materials: fan blade: PBT, 7 blades
Withstand voltage: AC 1500V, at 0.5mA, 50/60Hz	Bearing: Sleeve bearing or ball bearing
insulation grade: F	Motor life: 30000/h (Sleeve bearing) 50000/h (ball bearing)

Dimensions



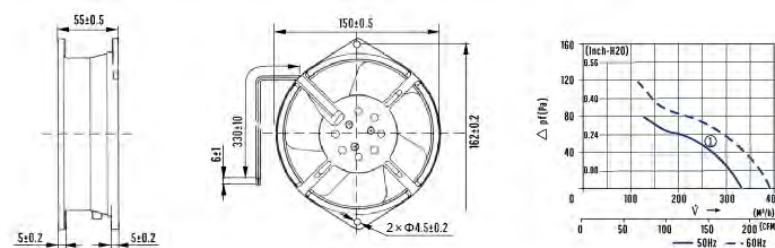
Model	size (mm)	Bearing System	Voltage (V)	Freq. (Hz)	Current (A)	Power (W)	Speed (RPM)	Air Flow (m³/h)	Noise (dB)	Operating temperature (°C)	Certification
F2E-150S-230-F	150×150×50	Sleeve	200/240	50/60	0.25	32/30	2600/2900	272/289	56	-10~60	CE
F2E-150S-115-F	150×150×50	Sleeve	100/125	50/60	0.45	32/30	2600/2900	272/289	56	-10~60	
F2E-150B-230-F	150×150×50	Ball	200/240	50/60	0.25	32/30	2600/2900	272/289	56	-30~65	
F2E-150B-115-F	150×150×50	Ball	100/125	50/60	0.45	32/30	2600/2900	272/289	56	-30~65	

F2E 162B series axial fan



172×162×55mm	Protection Level: IP44
Motor structure: cover pole motor	Materials: fan blade: Cold-Rolled Steel plate, 7 blades
Withstand voltage: AC 1500V, at 0.5mA, 50/60Hz	Bearing: ball bearing
insulation grade: F	Motor life: 50000hrs

Dimensions



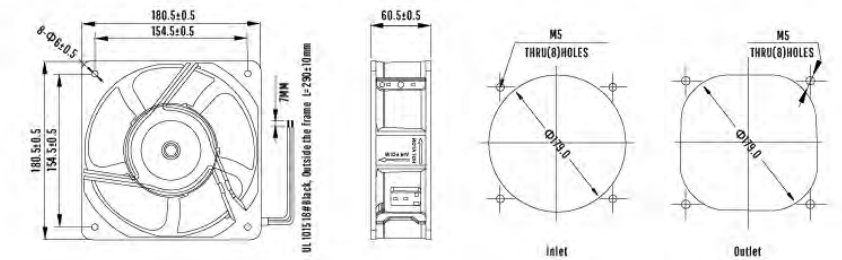
Model	size (mm)	Bearing System	Voltage (V)	Freq. (Hz)	Current (A)	Power (W)	Speed (RPM)	Air Flow (m³/h)	Noise (dB)	Operating temperature (°C)	Certification
F2E-162B-230	172×162×55	Ball	200/240	50/60	0.25	40/35	2800/3100	325/380	50	-30~80	CE
F2E-162B-115	172×162×55	Ball	100/125	50/60	0.50	40/35	2800/3100	325/380	50	-30~80	

F2E 180B series axial fan



180×180×60mm	Protection Level: IP44
Motor structure: cover pole motor	Materials: fan blade: PBT, 5 blades
Withstand voltage: AC 1500V, at 0.5mA, 50/60Hz	Bearing: ball bearing
insulation grade: F	Motor life: 50000hrs

Dimensions



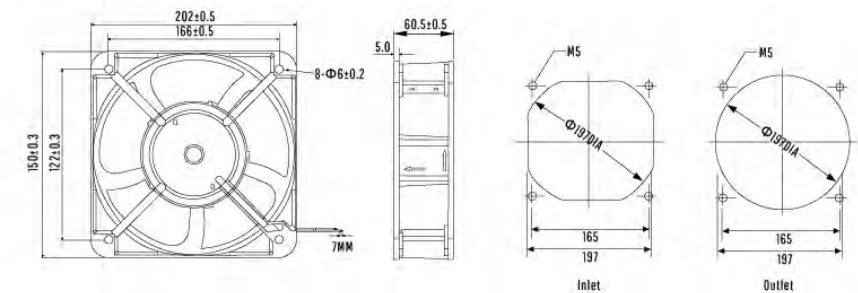
Model	size (mm)	Bearing System	Voltage (V)	Freq. (Hz)	Current (A)	Power (W)	Speed (RPM)	Air Flow (m³/h)	Noise (dB)	Operating temperature (°C)	Certification
F2E-180B-230	180×180×60	Ball	200/240	50/60	0.45	50/45	2650/2800	476/510	60	-30~65	CE
F2E-180B-115	180×180×60	Ball	100/125	50/60	0.86	50/45	2650/2800	476/510	60	-30~65	

F2E 200B series axial fan



202×202×60mm	Protection Level: IP44
Motor structure: cover pole motor	Materials: fan blade: PBT, 5 blades
Withstand voltage: AC 1500V, at 0.5mA, 50/60Hz	Bearing: ball bearing
insulation grade: F	Motor life: 50000hrs

Dimensions

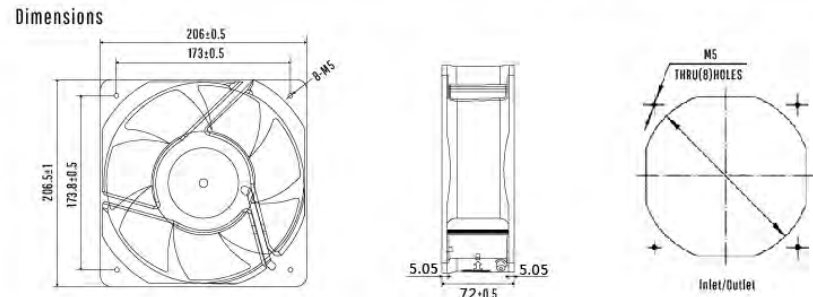


Model	size (mm)	Bearing System	Voltage (V)	Freq. (Hz)	Current (A)	Power (W)	Speed (RPM)	Air Flow (m³/h)	Noise (dB)	Operating temperature (°C)	Certification
F2E-200B-230	202×202×60	Ball	200/240	50/60	0.45	52/48	2650/2750	595/648	64	-30~65	CE
F2E-200B-115	202×202×60	Ball	100/125	50/60	0.9	52/48	2650/2750	595/648	64	-30~65	

F2E 205B series axial fan



205×205×72mm	Protection Level: IP44
Motor structure: Cage type structure motor	Materials: fan blade: PC+PBT, 5 blades
Withstand voltage: AC 1500V, at 0.5mA, 50/60Hz	Bearing: ball bearing
insulation grade: F	Motor life: 50000hrs

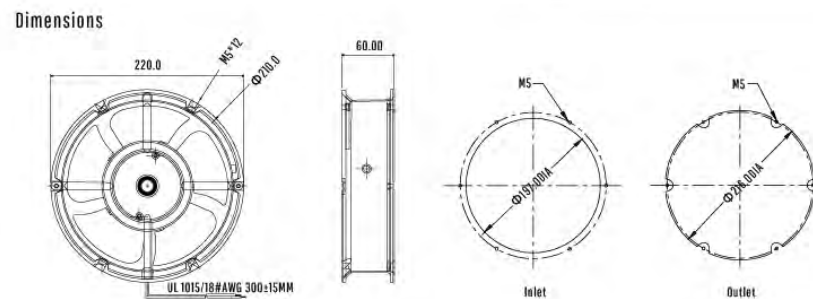


Model	size (mm)	Bearing System	Voltage (V)	Freq. (Hz)	Current (A)	Power (W)	Speed (RPM)	Air Flow (m³/h)	Noise (dB)	Operating temperature (°C)	Certification
F2E-205B-230	205×205×72	Ball	200/240	50/60	0.35	60/80	2800/3200	986/1050	68	-30~65	CCC
F2E-205B-115	205×205×72	Ball	100/125	50/60	0.70	60/80	2800/3200	986/1050	68	-30~65	CE

F2E 220B series axial fan



∅ 222×60mm	Protection Level: IP44
Motor structure: cover pole motor	Materials: fan blade: PBT, 5 blades
Withstand voltage: AC 1500V, at 0.5mA, 50/60Hz	Bearing: ball bearing
insulation grade: F	Motor life: 50000hrs

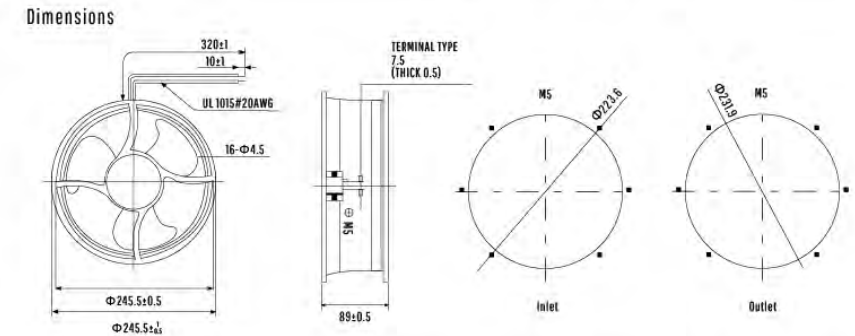


Model	size (mm)	Bearing System	Voltage (V)	Freq. (Hz)	Current (A)	Power (W)	Speed (RPM)	Air Flow (m³/h)	Noise (dB)	Operating temperature (°C)	Certification
F2E-220B-230	222×60	Ball	200/240	50/60	0.45	52/48	2700/2800	595/648	66	-30~65	CCC
F2E-220B-115	222×60	Ball	100/125	50/60	0.90	52/48	2700/2800	595/648	66	-30~65	CE

F2E 250B series axial fan



∅ 254×89mm	Protection Level: IP44
Motor structure: Cage type structure motor	Materials: fan blade: PBT, 3 blades
Withstand voltage: AC 1500V, at 0.5mA, 50/60Hz	Bearing: ball bearing
insulation grade: F	Motor life: 50000hrs

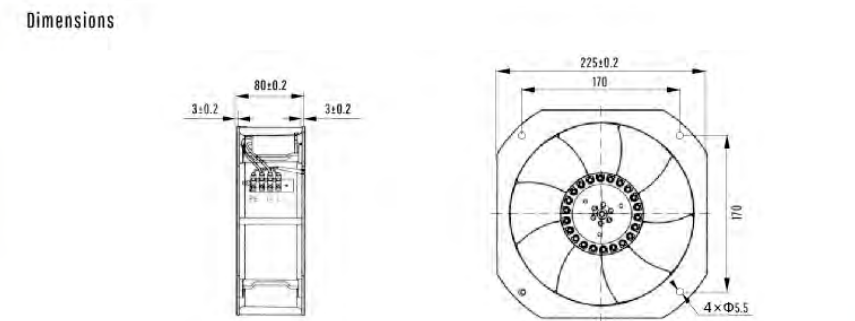


Model	size (mm)	Bearing System	Voltage (V)	Freq. (Hz)	Current (A)	Power (W)	Speed (RPM)	Air Flow (m³/h)	Noise (dB)	Operating temperature (°C)	Certification
F2E-250B-230	254×89	Ball	200/240	50/60	0.4	50/52	2500/2600	816/880	68	-30~65	CCC
F2E-250B-230	254×89	Ball	100/125	50/60	0.8	50/52	2500/2600	816/880	68	-30~65	CE

F2E 260B series axial fan



225×225×80mm	Protection Level: IP44
Motor structure: Shaded pole motor	Materials: fan blade: Cold-Rolled Steel plate, 9 blades
Withstand voltage: AC 1500V, at 2mA, 50/60Hz	Bearing: ball bearing
insulation grade: F	Motor life: 50000hrs



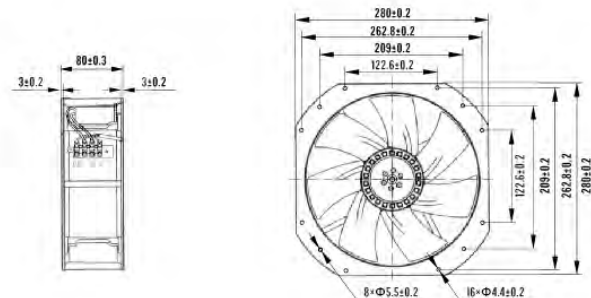
Model	size (mm)	Bearing System	Voltage (V)	Freq. (Hz)	Current (A)	Power (W)	Speed (RPM)	Air Flow (m³/h)	Noise (dB)	Operating temperature (°C)	Certification
F2E-260B-230	225×225×80	Ball	200/240	50/60	0.28/0.35	62/80	2500/2700	925/1030	60	-30~80	CCC
F2E-260B-115	225×225×80	Ball	100/125	50/60	0.68/0.65	67/77	2500/2700	925/1030	60	-30~80	CE

F2E 320B series axial fan



280×280×80mm	Protection Level: IP44
Motor structure: Shaded pole motor	Materials: fan blade: Cold-Rolled Steel plate, 7 blades
Withstand voltage: AC 1500V, at 2mA, 50/60Hz	Bearing: ball bearing
insulation grade: F	Motor life: 50000hrs

Dimensions



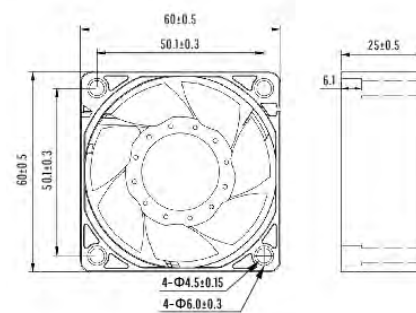
Model	size (mm)	Bearing System	Voltage (V)	Freq. (Hz)	Current (A)	Power (W)	Speed (RPM)	Air Flow (m³/h)	Noise (dB)	Operating temperature (°C)	Certification
F2E-320B-230	280×280×80	Ball	200/240	50/60	0.58/0.63	126/148	2400/2500	1865/1970	70	-30~80	CE
F2E-320B-115	280×280×80	Ball	100/125	50/60	1.20/1.30	126/148	2400/2500	1865/1970	70	-30~80	CE

LK6025 series DC fan



60×60×25mm	Working temperature: 0~60°C (Sleeve)/-20~60°C (ball)
Motor: DC unidirectional brushless motor	Materials: fan blade: PBT, 7 blades
Insulation grade: A	Bearing: Sleeve bearing or ball bearing
Protection Level: Up to IP68	Motor life: 30000/h (Sleeve bearing) 50000/h (ball bearing)

Dimensions



Model	size (mm)	Voltage (V)	Current (A)	Power (W)	Speed (RPM)	Air Flow (m³/h)	Noise (dB)	Certification
LK6025L12	60*60*25	12	0.11	1.32	3500	29.5	32.6	CE
LK6025L24	60*60*25	24	0.07	1.68				
LK6025M12	60*60*25	12	0.17	2.04	4000	33.5	36.9	CE
LK6025M24	60*60*25	24	0.1	2.4				
LK6025M48	60*60*25	48	0.05	2.4	4500	37.5	38	CE
LK6025H12	60*60*25	12	0.19	2.28				
LK6025H24	60*60*25	24	0.11	2.64	5000	42	41.1	CE
LK6025H48	60*60*25	48	0.06	2.88				
LK6025H12-HH	60*60*25	12	0.23	2.76	5000	42	41.1	CE
LK6025H24-HH	60*60*25	24	0.12	2.88				
LK6025H48-HH	60*60*25	48	0.07	3.36				

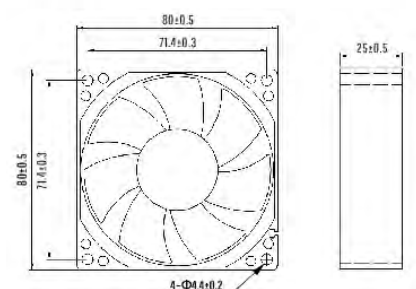
Note: more DC fan size and parameters can be detailed call our sales staff.

LK8025 series DC fan



80×80×25mm	Working temperature: 0~60°C (Sleeve)/-20~60°C (ball)
Motor: DC unidirectional brushless motor	Materials: fan blade: PBT, 7 blades
Insulation grade: A	Bearing: Sleeve bearing or ball bearing
Protection Level: Up to IP68	Motor life: 30000/h (Sleeve bearing) 50000/h (ball bearing)

Dimensions



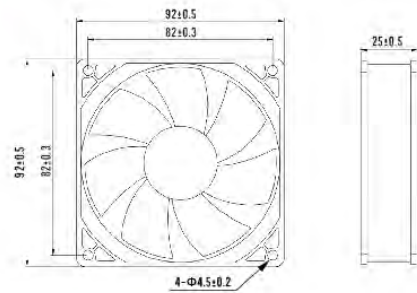
Model	size (mm)	Voltage (V)	Current (A)	Power (W)	Speed (RPM)	Air Flow (m³/h)	Noise (dB)	Certification
LK8025L12	80*80*25	12	0.11	1.32	2500	50	28.3	CE
LK8025L24	80*80*25	24	0.07	1.68				
LK8025M12	80*80*25	12	0.2	2.4	3000	63.5	35.2	CE
LK8025M24	80*80*25	24	0.11	2.64				
LK8025H12	80*80*25	12	0.23	2.76	3500	69.5	37.6	CE
LK8025H24	80*80*25	24	0.13	3.12				
LK8025H48	80*80*25	48	0.06	2.88	4000	83.5	42.9	CE
LK8025H12-HH	80*80*25	12	0.32	3.84				
LK8025H24-HH	80*80*25	24	0.16	3.84				
LK8025H48-HH	80*80*25	48	0.09	4.32				

Note: more DC fan size and parameters can be detailed call our sales staff.

LK9225 series DC fan



Dimensions



92×92×25mm	Working temperature: 0~60°C(Sleeve)/-20~60°C(ball)
Motor: DC unidirectional brushless motor	Materials: fan blade: PBT, 7 blades
Insulation grade: A	Bearing: Sleeve bearing or ball bearing
Protection Level: Up to IP68	Motor life: 30000/h (Sleeve bearing) 50000/h (ball bearing)

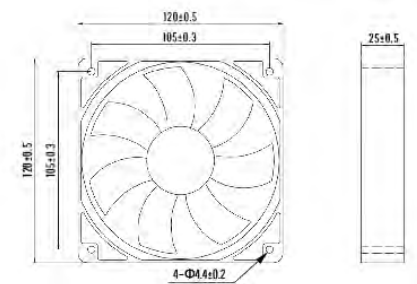
Model	size (mm)	Voltage (V)	Current (A)	Power (W)	Speed (RPM)	Air Flow (m ³ /h)	Noise (dB)	Certification
LK9225L12	92*92*25	12	0.18	1.32	2100	69.5	27.8	CE
LK9225L24	92*92*25	24	0.11	1.68				
LK9225M12	92*92*25	12	0.23	2.04	2600	87	33.6	CE
LK9225M24	92*92*25	24	0.14	2.4				
LK9225M48	92*92*25	48	0.07	2.4	3500	103.5	40.99	CE
LK9225H12	92*92*25	12	0.36	2.28				
LK9225H24	92*92*25	24	0.21	2.64	4500	125	45.3	CE
LK9225H48	92*92*25	48	0.12	2.88				
LK9225H24-HH	92*92*25	24	0.25	2.88	4500	125	45.3	CE
LK9225H48-HH	92*92*25	48	0.15	3.36				

Note: more DC fan size and parameters can be detailed call our sales staff.

LK12025 series DC fan



Dimensions



120×120×25mm	Working temperature: 0~60°C(Sleeve)/-20~60°C(ball)
Motor: DC unidirectional brushless motor	Materials: fan blade: PBT, 7 blades
Insulation grade: A	Bearing: Sleeve bearing or ball bearing
Protection Level: Up to IP68	Motor life: 30000/h (Sleeve bearing) 50000/h (ball bearing)

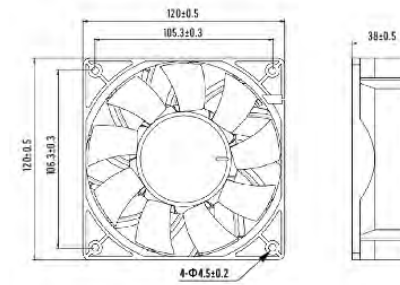
Model	size (mm)	Voltage (V)	Current (A)	Power (W)	Speed (RPM)	Air Flow (m ³ /h)	Noise (dB)	Certification
LK12025L05	120*120*25	5	0.43	2.15	1500	91	26.2	CE
LK12025L12	120*120*25	12	0.09	1.08				
LK12025M05	120*120*25	5	0.71	3.55	2000	118.5	33.4	CE
LK12025M12	120*120*25	12	0.27	3.24				
LK12025M24	120*120*25	24	0.17	4.08	2600	146.5	41.3	CE
LK12025H12	120*120*25	12	0.65	7.8				
LK12025H24	120*120*25	24	0.3	7.2	2600	146.5	41.3	CE

Note: more DC fan size and parameters can be detailed call our sales staff.

LK12038 series DC fan



Dimensions



120×120×38mm	Working temperature: 0~60°C(Sleeve)/-20~60°C(ball)
Motor: DC unidirectional brushless motor	Materials: fan blade: PBT, 9 blades
Insulation grade: A	Bearing: Sleeve bearing or ball bearing
Protection Level: Up to IP68	Motor life: 30000/h (Sleeve bearing) 50000/h (ball bearing)

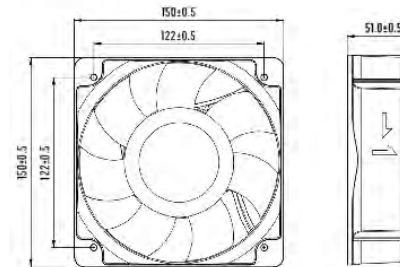
Model	size (mm)	Voltage (V)	Current (A)	Power (W)	Speed (RPM)	Air Flow (m ³ /h)	Noise (dB)	Certification
LK12038L05	120*120*38	5	0.36	1.8	1500	109.5	29.3	CE
LK12038L12	120*120*38	12	0.14	1.68				
LK12038L24	120*120*38	24	0.12	2.88				
LK12038M12	120*120*38	12	0.64	7.68	2500	195.5	39.8	CE
LK12038M24	120*120*38	24	0.33	7.92				
LK12038M48	120*120*38	48	0.18	8.64				
LK12038H12	120*120*38	12	1.11	13.32	3500	283.5	46.5	CE
LK12038H24	120*120*38	24	0.62	14.88				
LK12038H48	120*120*38	48	0.28	13.44				
LK12038H12-HH	120*120*38	12	1.63	19.56	4000	316	53.2	CE
LK12038H24-HH	120*120*38	24	0.8	19.2				
LK12038H48-HH	120*120*38	48	0.43	20.64				
LK12038H12-VH	120*120*38	12	2.57	30.84	4500	368	63.3	CE
LK12038H24-VH	120*120*38	24	1.3	31.2				
LK12038H48-VH	120*120*38	48	0.65	31.2				
LK12038H12-SH	120*120*38	12	4.22	50.88	5000	455	67.9	CE
LK12038H24-SH	120*120*38	24	2.12	50.88				
LK12038H48-SH	120*120*38	48	1.1	52.8				

Note: more DC fan size and parameters can be detailed call our sales staff.

LK15050 series DC fan



Dimensions



150×150×50mm	Working temperature: -20~60°C
Motor: DC unidirectional brushless motor	Materials: fan blade: PBT, 7 blades
Insulation grade: A	Bearing: ball bearing
Protection Level: Up to IP68	Motor life: 50000hrs

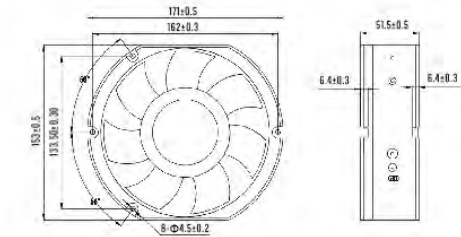
Model	size (mm)	Voltage (V)	Current (A)	Power (W)	Speed (RPM)	Air Flow (m ³ /h)	Noise (dB)	Certification
LK15050L12	150*150*50	12	0.85	10.2	2000	319	51.3	CE
LK15050L24	150*150*50	24	0.3	7.2				
LK15050L48	150*150*50	48	0.16	7.68				
LK15050M12	150*150*50	12	1.7	20.4	2500	406	54.7	CE
LK15050M24	150*150*50	24	0.75	18				
LK15050M48	150*150*50	48	0.4	19.2				
LK15050H12	150*150*50	12	2.6	31.2	3000	476.5	59.5	CE
LK15050H24	150*150*50	24	1.3	31.2				
LK15050H48	150*150*50	48	0.65	31.2				
LK15050H12-HH	150*150*50	12	4.1	49.2	3500	554.5	63.2	CE
LK15050H24-HH	150*150*50	24	2	48				
LK15050H48-HH	150*150*50	48	1.1	52.8				
LK15050H12-VH	150*150*50	12	5.1	61.2	4000	592.5	66.8	CE
LK15050H24-VH	150*150*50	24	2.5	60				
LK15050H48-VH	150*150*50	48	1.25	60				
LK15050H12-SH	150*150*50	12	7.3	87.6	4500	685.5	70	CE
LK15050H24-SH	150*150*50	24	3.7	88.8				
LK15050H48-SH	150*150*50	48	1.82	87.36				
LK15050H24-EH	150*150*50	24	5.1	122.4	5000	768.5	72	CE
LK15050H48-EH	150*150*50	48	2.5	120				

Note: more DC fan size and parameters can be detailed call our sales staff.

LK17250 series DC fan



Dimensions



172×150×51mm	Working temperature: -20~60℃
Motor: DC unidirectional brushless motor	Materials: fan blade: PBT, 7 blades
Insulation grade: A	Bearing: ball bearing
Protection Level: Up to IP68	Motor life: 50000hrs

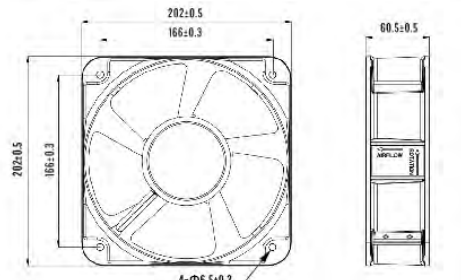
Model	size (mm)	Voltage (V)	Current (A)	Power (W)	Speed (RPM)	Air Flow (m³/h)	Noise (dB)	Certification
LK17251L12	172*150*51	12	0.85	10.2	2000	319	51.3	CE
LK17251L24	172*150*51	24	0.3	7.2				
LK17251L48	172*150*51	48	0.16	7.68				
LK17251M12	172*150*51	12	1.7	20.4	2500	406	54.7	CE
LK17251M24	172*150*51	24	0.75	18				
LK17251M48	172*150*51	48	0.4	19.2				
LK17251H12	172*150*51	12	2.6	31.2	3000	476.5	59.5	CE
LK17251H24	172*150*51	24	1.3	31.2				
LK17251H48	172*150*51	48	0.65	31.2				
LK17251H12-HH	172*150*51	12	4.1	49.2	3500	554.5	63.2	CE
LK17251H24-HH	172*150*51	24	2	48				
LK17251H48-HH	172*150*51	48	1.1	52.8				
LK17251H12-VH	172*150*51	12	5.1	61.2	4000	592.5	66.8	CE
LK17251H24-VH	172*150*51	24	2.5	60				
LK17251H48-VH	172*150*51	48	1.25	60				
LK17251H12-SH	172*150*51	12	7.3	87.6	4500	685.5	70	CE
LK17251H24-SH	172*150*51	24	3.7	88.8				
LK17251H48-SH	172*150*51	48	1.82	87.36				
LK17251H24-EH	172*150*51	24	5.1	122.4	5000	768.5	72	CE
LK17251H48-EH	172*150*51	48	2.5	120				

Note: more DC fan size and parameters can be detailed call our sales staff.

LK20060 series DC fan



Dimensions



200×200×60mm	Working temperature: -20~60℃
Motor: DC unidirectional brushless motor	Materials: fan blade: PBT, 7 blades
Insulation grade: A	Bearing: ball bearing
Protection Level: Up to IP68	Motor life: 50000hrs

Model	size (mm)	Voltage (V)	Current (A)	Power (W)	Speed (RPM)	Air Flow (m³/h)	Noise (dB)	Certification
LK20060L12	200*200*60	12	0.8	9.54	1500	525	51.3	CE
LK20060L24	200*200*60	24	0.38	9.06				
LK20060L48	200*200*60	48	0.18	8.61				
LK20060M12	200*200*60	12	1.65	19.8	2000	698.5	56.3	CE
LK20060M24	200*200*60	24	0.78	18.81				
LK20060M48	200*200*60	48	0.37	17.87				
LK20060H12	200*200*60	12	2.92	35.04	2500	875.5	60.2	CE
LK20060H24	200*200*60	24	1.39	33.29				
LK20060H48	200*200*60	48	0.66	31.62				
LK20060H12-HH	200*200*60	12	4.73	56.76	3000	1048	65.8	CE
LK20060H24-HH	200*200*60	24	2.25	53.92				
LK20060H48-HH	200*200*60	48	1.07	51.23				
LK20060H12-VH	200*200*60	12	7.4	88.8	3500	1222.5	70.5	CE
LK20060H24-VH	200*200*60	24	3.52	84.36				
LK20060H48-VH	200*200*60	48	1.67	80.14				

Note: more DC fan size and parameters can be detailed call our sales staff.

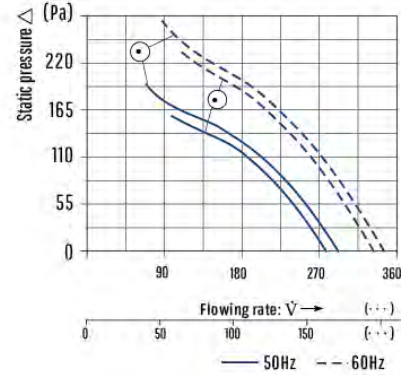
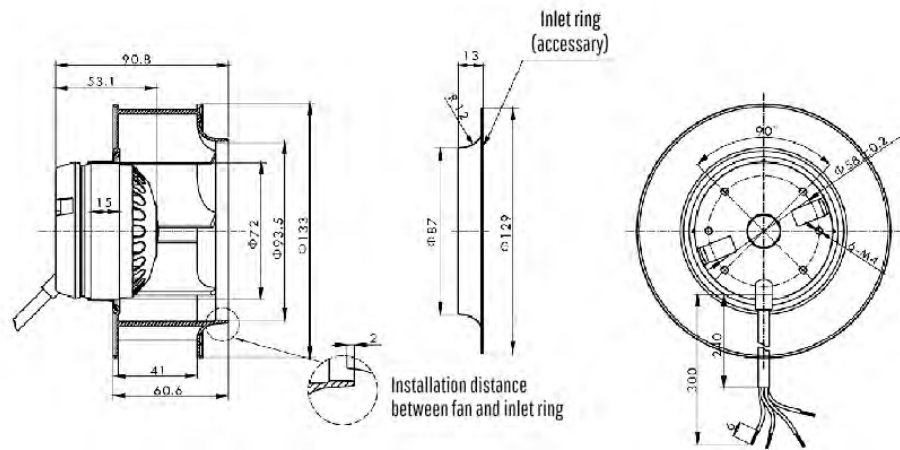
C2S/C2E 133.41 series centrifugal fan



Ø 133×41mm
Motor Structure: External rotor motor Ø72mm
Safety: Thermally protected.
Operation System: Dual high Precision ball bearings.
Dielectric Withstand Voltage: AC 1,800V , at 0.5mA, 50/60 Hz.
Allowable Ambient Temperature and Humidity Range: (under unconcretionary state) -25 ~+65°C (temperature) / 10% ~+80% (humidity)
Insulation System: Design according to Class F of IEC61858 standard.
Protection Class: IP44
Unit weight: 0.66 kg
Materials: fan blade: PA nylon, 7 blades
Bearing: NSK ball bearing
Motor Life: 60,000hrs at 25°C

Dimensions

Characteristics of Static Pressure



Model	Rated Voltage (V)	Frequency (Hz)	Current (A)	Input Power (W)	Speed (min ⁻¹)	Speed (CFM)	Air Flow (m ³ /h)	Static Pressure (Pa)	Noise (dB)
C2S-133.41A	115	50	0.22	49	2740	171	290	260	56
		60	0.25	53	3230	203	345	180	60
C2E-133.41A	230	50	0.11	24	2750	171	290	260	56
		60	0.13	27	3200	203	345	180	60
C2S-133.41C	115	50	0.51	38	2650	162	275	240	55
		60	0.42	35	3100	195	331	160	68
C2E-133.41C	230	50	0.25	36	2650	162	275	240	55
		60	0.20	34	3100	195	331	160	68

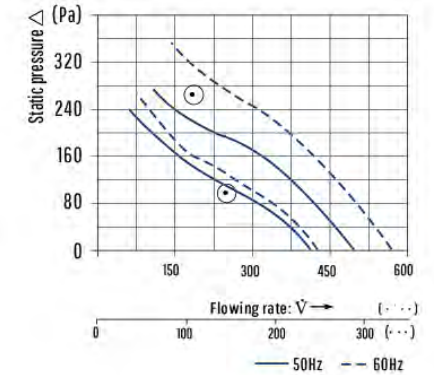
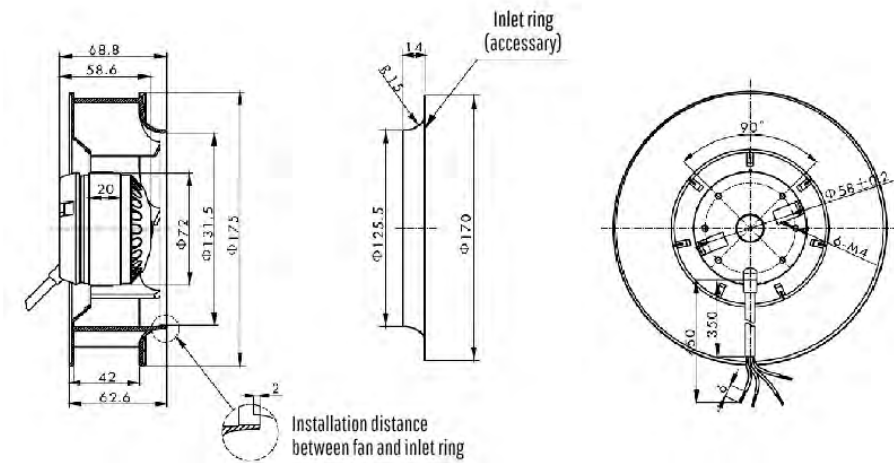
C2S/C2E 175.42 series centrifugal fan



Ø 175×42mm
Motor Structure: External rotor motor Ø72mm
Safety: Thermally protected.
Operation System: Dual high Precision ball bearings.
Dielectric Withstand Voltage: AC 1,800V , at 0.5mA, 50/60 Hz.
Allowable Ambient Temperature and Humidity Range: (under unconcretionary state) -25 ~+75°C (temperature) / 10% ~+80% (humidity)
Insulation System: Design according to Class F of IEC61858 standard.
Protection Class: IP44
Unit weight: 0.85 kg
Materials: fan blade: PA nylon, 7 blades
Bearing: NSK ball bearing
Motor Life: 60,000hrs at 25°C

Dimensions

Characteristics of Static Pressure



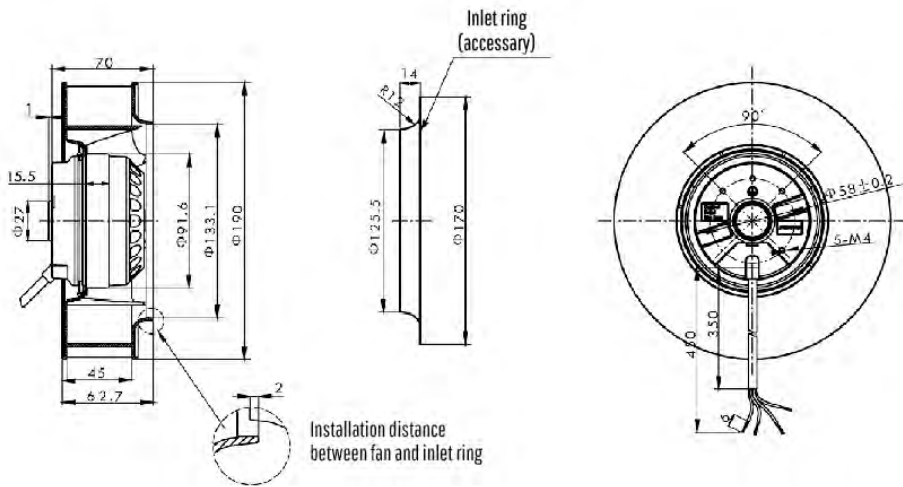
Model	Rated Voltage (V)	Frequency (Hz)	Current (A)	Input Power (W)	Speed (min ⁻¹)	Speed (CFM)	Air Flow (m ³ /h)	Static Pressure (Pa)	Noise (dB)
C2S-175.42B	115	50	0.50	50	2600	289	490	260	63
		60	0.46	52	3000	336	570	350	69
C2E-175.42B	230	50	0.25	49	2600	289	490	260	63
		60	0.23	51	3000	336	570	360	68
C2S-175.42C	115	50	0.68	54	2400	254	430	250	61
		60	0.62	52	2500	265	450	260	62
C2E-175.42C	230	50	0.34	55	2400	254	430	250	61
		60	0.30	53	2500	265	450	260	62

C2S/C2E/C2D/C4E 190.45 series centrifugal fan

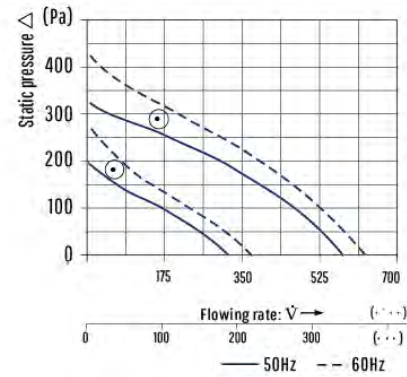


Ø 190x45mm
Motor Structure: External rotor motor Ø92mm
Safety: Thermally protected.
Operation System: Dual high Precision ball bearings.
Dielectric Withstand Voltage: AC 1,800V , at 0.5mA, 50/60 Hz.
Allowable Ambient Temperature and Humidity Range: (under unconcretionary state) -25 ~+75°C (temperature) / 10% ~+80% (humidity)
Insulation System: Design according to Class F of IEC61858 standard.
Protection Class: IP44
Unit weight: 1.27 kg
Materials: fan blade: PA nylon, 7 blades
Bearing: NSK ball bearing
Motor Life: 60,000hrs at 25°C

Dimensions



Characteristics of Static Pressure



Model	Rated Voltage (V)	Frequency (Hz)	Current (A)	Input Power (W)	Speed (min ⁻¹)	Speed (CFM)	Air Flow (m ³ /h)	Static Pressure (Pa)	Noise (dB)
C2S-190.45A	115	50	0.62	60	2500	336	570	325	62
		60	0.65	70	2700	366	620	420	64
C2E-190.45A	230	50	0.28	65	2500	336	570	325	62
		60	0.33	75	2700	366	620	420	64
C2D-190.45A	400	50	0.17	61	2500	336	570	325	62
		60	0.19	72	2700	366	620	420	64
C4E-190.45A	230	50	0.13	27	1400	182	310	200	48
		60	0.12	27	1600	212	360	280	51

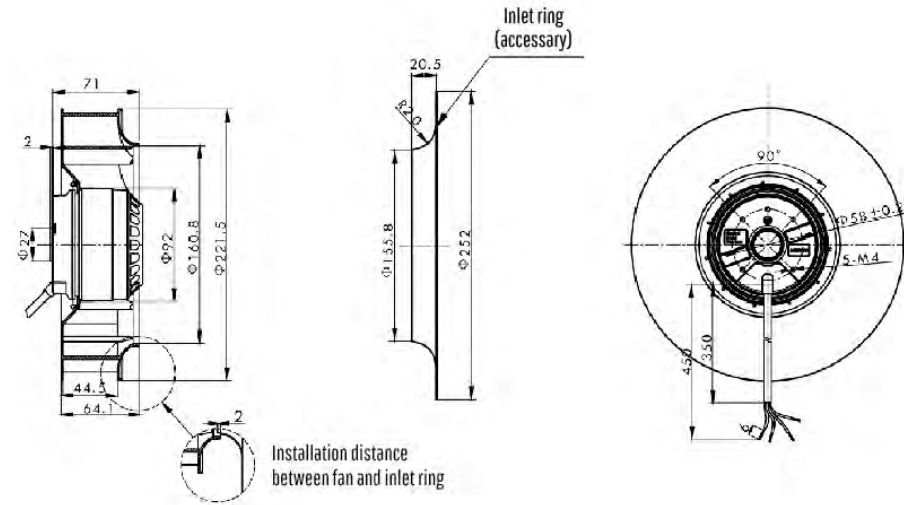


C2S/C2E/C2D/C4E 220.44 series centrifugal fan

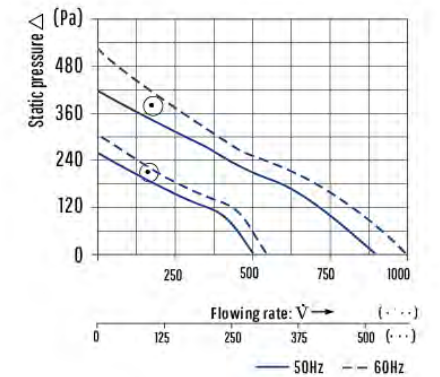


Ø 220x44mm
Motor Structure: External rotor motor Ø92mm
Safety: Thermally protected.
Operation System: Dual high Precision ball bearings.
Dielectric Withstand Voltage: AC 1,800V , at 0.5mA, 50/60 Hz.
Allowable Ambient Temperature and Humidity Range: (under unconcretionary state) -25 ~+65°C (temperature) / 10% ~+80% (humidity)
Insulation System: Design according to Class F of IEC61858 standard.
Protection Class: IP44
Unit weight: 1.80 kg
Materials: fan blade: PA nylon, 7 blades
Bearing: NSK ball bearing
Motor Life: 60,000hrs at 25°C

Dimensions



Characteristics of Static Pressure



Model	Rated Voltage (V)	Frequency (Hz)	Current (A)	Input Power (W)	Speed (min ⁻¹)	Speed (CFM)	Air Flow (m ³ /h)	Static Pressure (Pa)	Noise (dB)
C2S-220.44B	115	50	0.95	98	2600	528	896	420	72
		60	1.10	120	2950	590	1000	520	74
C2E-220.44B	230	50	0.46	98	2580	525	890	420	72
		60	0.51	118	2950	590	1000	520	74
C2D-220.44B	400	50	0.29	100	2600	528	896	420	72
		60	0.35	125	3000	600	1020	520	74
C4E-220.44B	230	50	0.23	48	1450	295	500	250	62
		60	0.24	58	1650	336	570	300	65

C2S/C2E/C2D/C4E 225.63 series centrifugal fan



Ø 225x63mm

Motor Structure: External rotor motor Φ92mm

Safety: Thermally protected.

Operation System: Dual high Precision ball bearings.

Dielectric Withstand Voltage: AC 1,800V, at 0.5mA, 50/60 Hz.

Allowable Ambient Temperature and Humidity Range: (under unconcretionary state)
-25 ~+75°C (temperature) / 10% ~+80% (humidity)

Insulation System: Design according to Class F of IEC61858 standard.

Protection Class: IP44

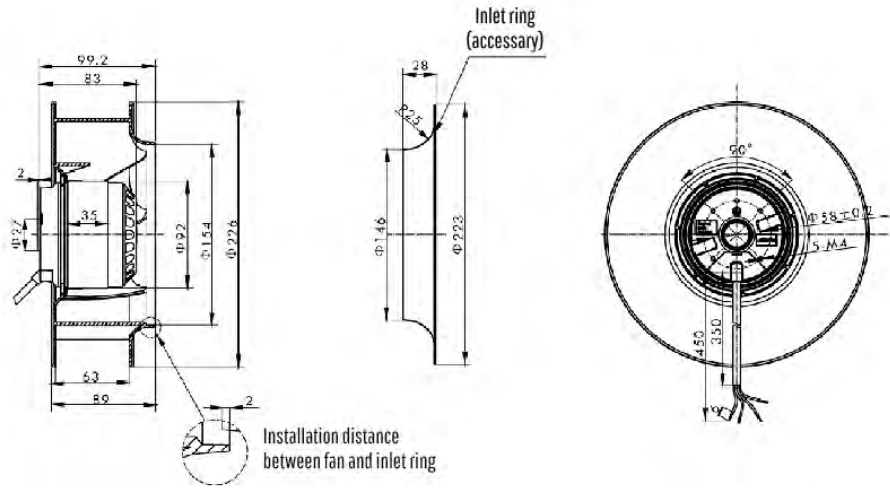
Unit weight: 2.30 kg

Materials: fan blade: PA nylon, 7 blades

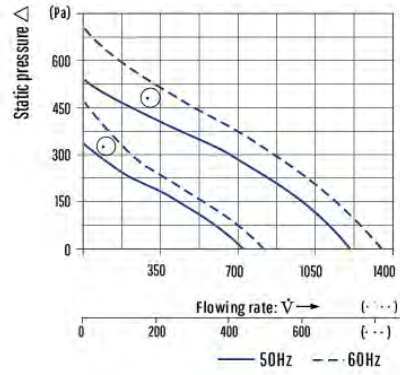
Bearing: NSK ball bearing

Motor Life: 60,000hrs at 25°C

Dimensions



Characteristics of Static Pressure



Model	Rated Voltage (V)	Frequency (Hz)	Current (A)	Input Power (W)	Speed (min ⁻¹)	Speed (CFM)	Air Flow (m ³ /h)	Static Pressure (Pa)	Noise (dB)
C2S-225.63C	115	50	1.18	130	2650	708	1200	550	69
		60	1.53	168	2950	791	1340	725	71
C2E-225.63C	230	50	0.62	135	2650	708	1200	550	69
		60	0.77	170	2950	791	1340	725	71
C2D-225.63C	400	50	0.34	130	2500	708	1200	550	69
		60	0.44	170	2700	791	1340	725	71
C4E-225.63C	230	50	0.30	65	1480	419	710	320	61
		60	0.37	80	1650	483	818	440	63

C2S/C2E/C4S/C4E 250.56 series centrifugal fan



Ø 250x56mm

Motor Structure: External rotor motor Φ72mm

Safety: Thermally protected.

Operation System: Dual high Precision ball bearings.

Dielectric Withstand Voltage: AC 1,800V, at 0.5mA, 50/60 Hz.

Allowable Ambient Temperature and Humidity Range: (under unconcretionary state)
-25 ~+75°C (temperature) / 10% ~+80% (humidity)

Insulation System: Design according to Class F of IEC61858 standard.

Protection Class: IP44

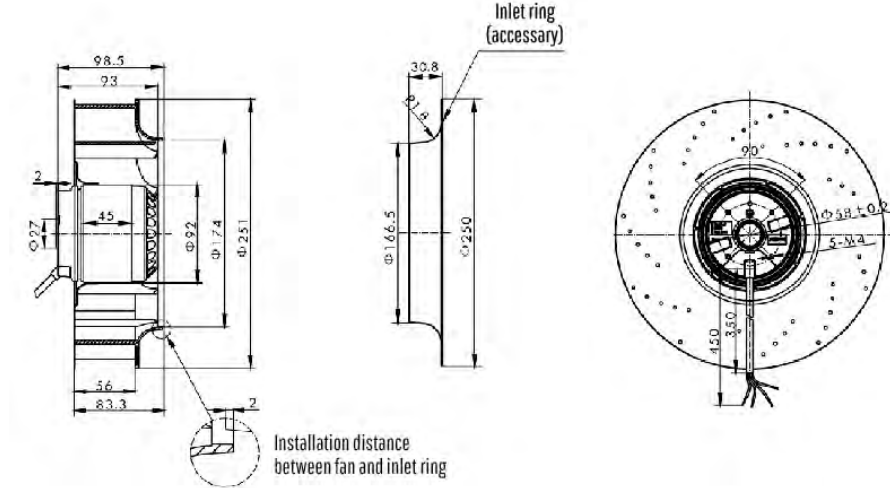
Unit weight: 2.90 kg

Materials: fan blade: PA nylon, 7 blades

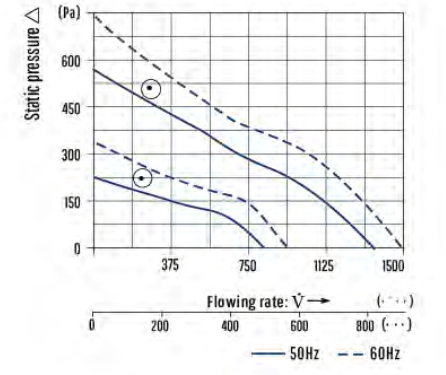
Bearing: NSK ball bearing

Motor Life: 60,000hrs at 25°C

Dimensions



Characteristics of Static Pressure



Model	Rated Voltage (V)	Frequency (Hz)	Current (A)	Input Power (W)	Speed (min ⁻¹)	Speed (CFM)	Air Flow (m ³ /h)	Static Pressure (Pa)	Noise (dB)
C2S-250.56A	115	50	1.38	155	2600	856	1450	580	74
		60	1.90	208	2800	897	1520	750	76
C2E-250.56A	230	50	0.70	152	2550	856	1450	580	74
		60	0.93	205	2750	897	1520	750	76
C4S-250.56B	115	50	0.64	70	1400	478	810	220	61
		60	0.81	89	1600	548	930	310	64
C4E-250.56B	230	50	0.32	70	1450	484	820	220	61
		60	0.39	88	1650	555	940	310	64

C2E/C4E/C4S 280.51 series centrifugal fan

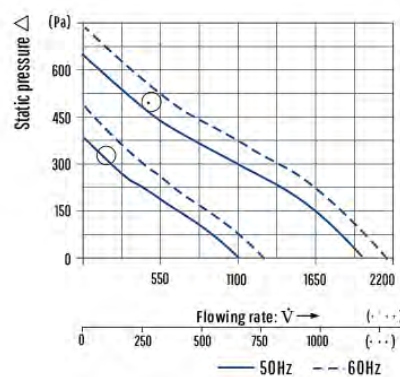
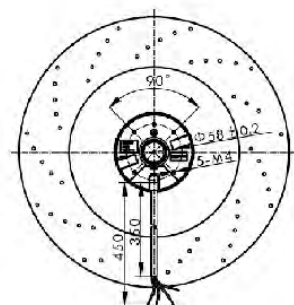
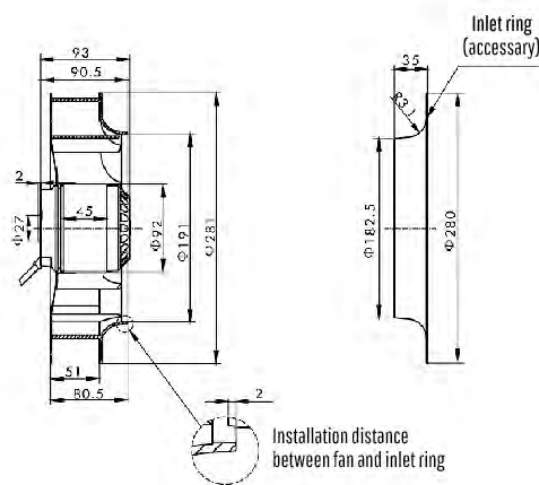


Ø 280x51mm

- Motor Structure: External rotor motor Ø92mm
- Safety: Thermally protected.
- Operation System: Dual high Precision ball bearings.
- Dielectric Withstand Voltage: AC 1,800V , at 0.5mA, 50/60 Hz.
- Allowable Ambient Temperature and Humidity Range: (under unconcretionary state)
-25 ~ +75°C (temperature) / 10% ~ +80% (humidity)
- Insulation System: Design according to Class F of IEC61858 standard.
- Protection Class: IP44
- Unit weight: 1.27 kg
- Materials: fan blade: PA nylon, 7 blades
- Bearing: NSK ball bearing
- Motor Life: 60,000hrs at 25°C

Dimensions

Characteristics of Static Pressure



Model	Rated Voltage (V)	Frequency (Hz)	Current (A)	Input Power (W)	Speed (min ⁻¹)	Speed (CFM)	Air Flow (m ³ /h)	Static Pressure (Pa)	Noise (dB)
C2E-280.51C	230	50	1.03	230	2550	1174	1990	700	72
		60	1.30	305	2700	1245	2110	750	75
C4E-280.51C	230	50	0.48	110	1400	649	1100	380	63
		60	0.64	145	1650	760	1290	500	65
C4S-280.51C	115	50	0.98	115	1400	649	1100	380	63
		60	1.27	145	1650	760	1290	500	65

C4E/C4ED/C4S/C6E 315.101 series centrifugal fan

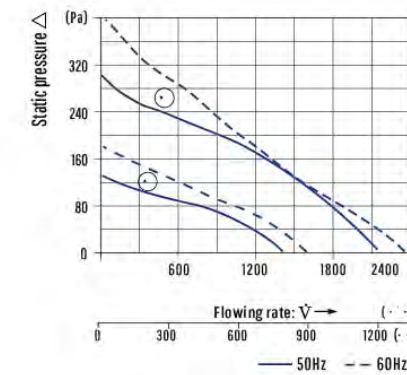
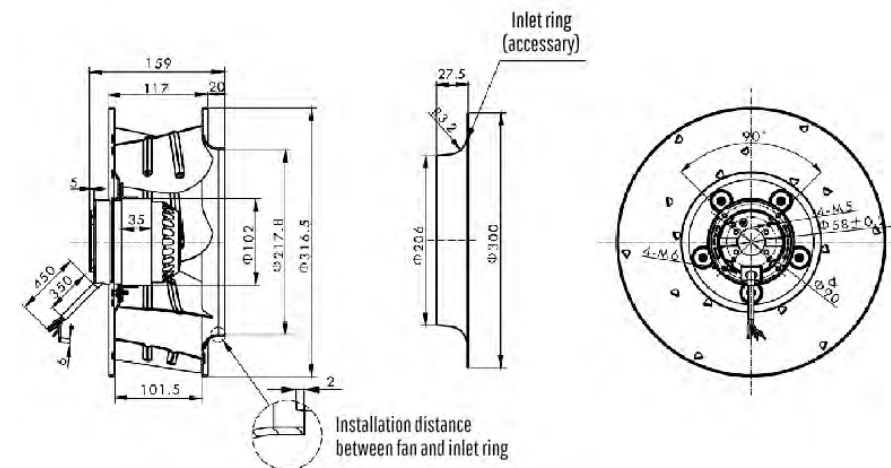


Ø 316x102mm

- Motor Structure: External rotor motor Ø102mm
- Safety: Thermally protected.
- Operation System: Dual high Precision ball bearings.
- Dielectric Withstand Voltage: AC 1,800V , at 0.5mA, 50/60 Hz.
- Allowable Ambient Temperature and Humidity Range: (under unconcretionary state)
-25 ~ +65°C (temperature) / 10% ~ +80% (humidity)
- Insulation System: Design according to Class F of IEC61858 standard.
- Protection Class: IP44
- Unit weight: 3.80 kg
- Materials: fan blade: PA nylon, 7 blades
- Bearing: NSK ball bearing
- Motor Life: 60,000hrs at 25°C

Dimensions

Characteristics of Static Pressure



Model	Rated Voltage (V)	Frequency (Hz)	Current (A)	Input Power (W)	Speed (min ⁻¹)	Speed (CFM)	Air Flow (m ³ /h)	Static Pressure (Pa)	Noise (dB)
C4E-315.101	230	50	0.50	110	1360	1250	2120	300	59
		60	0.65	150	1540	1390	2370	400	62
C4ED-315.101	230/400	50	0.62/0.33	136	1380	1250	2120	300	59
		60	0.58/0.32	137	1600	1390	2370	400	62
C4S-315.101	115	50	1.18	130	1370	1250	2120	300	59
		60	1.52	170	1550	1390	2370	400	62
C6E-315.101	230	50	0.32	68	940	826	1400	130	48
		60	0.37	83	1100	968	1640	180	54

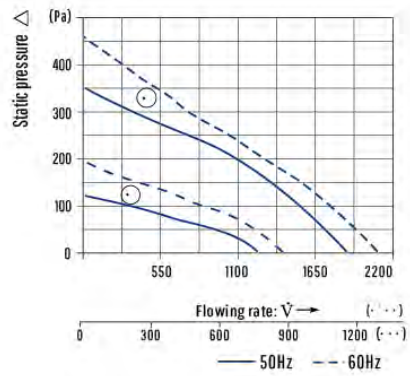
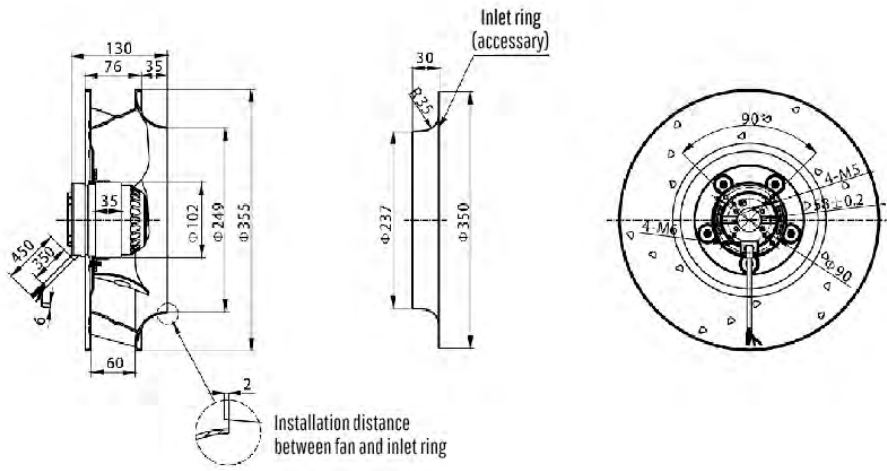
C4E/C4ED/C6E 355.60 series centrifugal fan



Ø 355x60mm
Motor Structure: External rotor motor Ø102mm
Safety: Thermally protected.
Operation System: Dual high Precision ball bearings.
Dielectric Withstand Voltage: AC 1,800V , at 0.5mA, 50/60 Hz.
Allowable Ambient Temperature and Humidity Range: (under unconcretionary state) -25 ~+65°C (temperature) / 10% ~+80% (humidity)
Insulation System: Design according to Class F of IEC61858 standard.
Protection Class: IP44
Unit weight: 3.90 kg
Materials: fan blade: PA nylon, 7 blades
Bearing: NSK ball bearing
Motor Life: 60,000hrs at 25°C

Dimensions

Characteristics of Static Pressure



Model	Rated Voltage (V)	Frequency (Hz)	Current (A)	Input Power (W)	Speed (min ⁻¹)	Speed (CFM)	Air Flow (m ³ /h)	Static Pressure (Pa)	Noise (dB)
C4E-355.60	230	50	0.46	105	1400	1091	1850	350	63
		60	0.63	145	1600	1247	2115	460	66
C4ED-355.60	230/400	50	0.62/0.33	136	1400	1091	1850	350	63
		60	0.58/0.32	137	1600	1247	2115	460	66
C6E-355.60	230	50	0.32	68	940	649	1240	120	45
		60	1.37	83	1100	760	1450	200	52



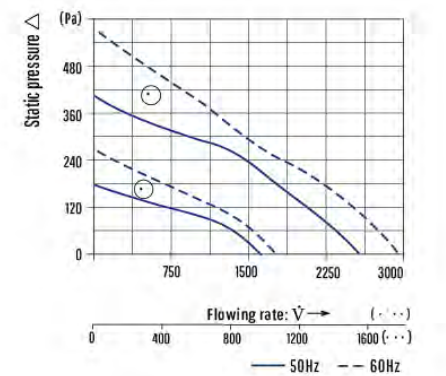
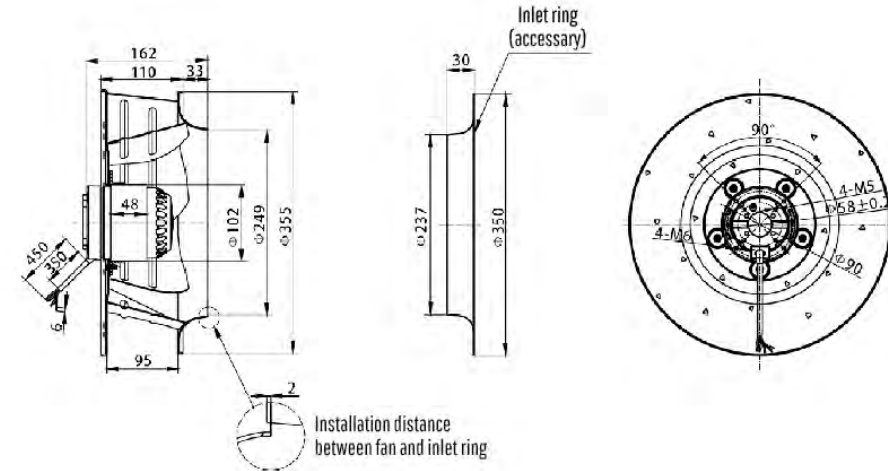
C4E/C4ED/C6E 355.95 series centrifugal fan



Ø 355x95mm
Motor Structure: External rotor motor Ø102mm
Safety: Thermally protected.
Operation System: Dual high Precision ball bearings.
Dielectric Withstand Voltage: AC 1,800V , at 0.5mA, 50/60 Hz.
Allowable Ambient Temperature and Humidity Range: (under unconcretionary state) -25 ~+65°C (temperature) / 10% ~+80% (humidity)
Insulation System: Design according to Class F of IEC61858 standard.
Protection Class: IP44
Unit weight: 4.70 kg
Materials: fan blade: PA nylon, 6 blades
Bearing: NSK ball bearing
Motor Life: 60,000hrs at 25°C

Dimensions

Characteristics of Static Pressure



Model	Rated Voltage (V)	Frequency (Hz)	Current (A)	Input Power (W)	Speed (min ⁻¹)	Speed (CFM)	Air Flow (m ³ /h)	Static Pressure (Pa)	Noise (dB)
C4E-355.95	230	50	0.80	175	1400	1522	2580	410	65
		60	1.00	250	1600	1735	2940	580	69
C4ED-355.95	230/400	50	0.76/0.44	166	1400	1522	2580	410	65
		60	0.75/0.43	225	1600	1735	2940	580	69
C6E-355.95	230	50	0.29	65	910	1003	1700	170	54
		60	0.37	85	1050	1115	1890	230	57

Thermostat/Hygrostat/Heater

Heater and thermostat system expert

LINKWELL is the system supplier, with energy-saving, environmental protection, efficient product performance, to meet the requirements of temperature control system.



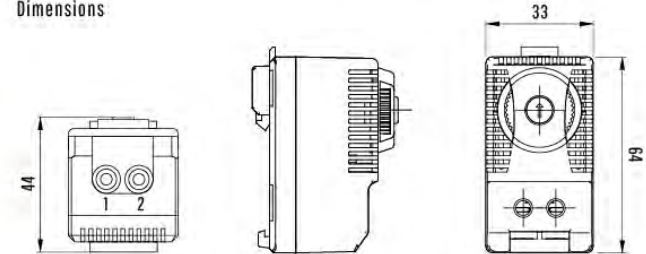


Performance

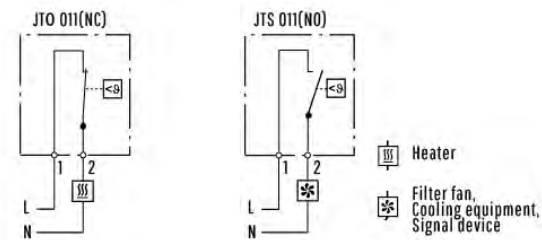
- Large setting range
- Simple to mount
- Small size
- High switching performance

JT0 011: Thermostat(normally closed): contact breaker for regulating heaters.
 JTS 011: Thermostat (normally open): contact maker for regulating filter fans and heat exchangers or for switching signal device when temperature limit has been exceeded.

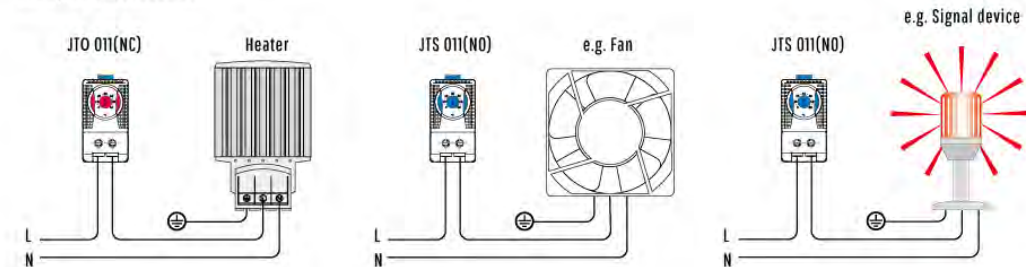
Dimensions



Connection diagrams



Examples of connection



Temperature range	0~+60 °C		
JT0 011 NC(Normally closed)	When the temperature reaches the set value, open circuit		
JTS 011 NO(Normally open)	When the temperature exceeds the set value action, closed circuit		
Switch temperature difference	7K(±4K tolerance)		
Sensor element	thermostatic bimetal		
Contact type	Snap-action		
Contact resistance	< 10m ohm(Incidental connection line)		
Service life	>100,000 cycles		
Max. Switching capacity	250VAC,10(2)A,120VAC,15(2)A,30WDC at 24VDC to 72VDC		
Connection	2-pole terminal, clamping torque 0.5Nm max.:rigid wire 2.5mm ² ,stranded wire (with wire end ferrule) 1.5mm ²		
Casing	plastic according to UL94 V-0, light grey		
Installation	35mm DIN Installation guide		
Dimensions	64×33×44mm		
Weight	41.5g		
fitting position	variable		
Operating/Storage temperature	-20~+80 °C		
Protection type	IP20		

Setting range	Art. No. Contact Breaker (NC)	Art. No. Contact Maker (NO)	Approvals
0 °C to +60 °C	JT0 011	JTS 011	CE



Performance

- Small, compact size (17.5mm wide)
- Long electrical life
- Snap action thermostatic bimetal sensor
- 35mm rail (EN 60715) mount
- Wide temperature setting range

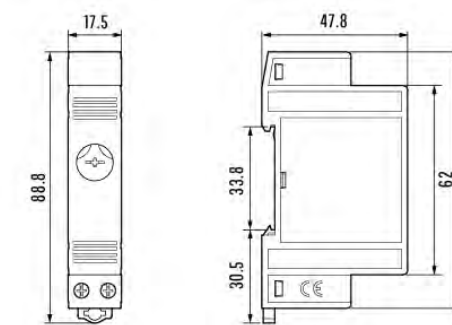
Heating control - Should the panel temperature fall below the (minimum) set temperature the contact will close to call for heat. The contact will open when this set temperature is exceeded. Ventilation control - Should the panel temperature exceed the (maximum) set temperature then the contact will close to call for cooling. The contact will open when the temperature falls below this set temperature.

Outline drawings

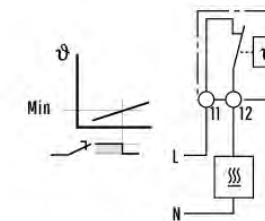
Alarm output contact, Passive contact, AC250V 5A.
 NO, close while function of dehumidifier is out of order.
 Function out of order defined: Temperature sensor or humidity sensor fault; Duration of Dehumidifier work is over 24 hours, RH≥80%RH.



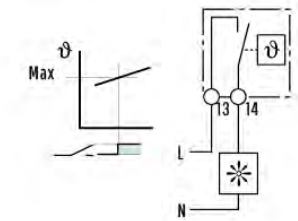
Dimensions



Heating control



Ventilation control



Ordering information

Example: KNC/KNO Series, thermostat for ventilation control, contact activates ventilation should the panel temperature exceed the set value (max+60°C), 35mm rail (EN 60715) mount.

Contact configuration		NC	NO
Rated current/Maximum peak current	A	10/20	10/20
Rated voltage/Maximum switching voltage	V AC	250/250	250/250
Rated load AC1	VA	2500	2500
Rated load AC 15 (230V AC)	VA	250	250
Single phase motor rating AC 3 (230V AC)	kW	0.125	0.125
Breaking capacity DC 1:30/110/220 V	A	1/0.3/0.15	1/0.3/0.15
Minimum switching load	mW (V/mA)	500 (12/10)	500 (12/10)
Standard contact material		AgNi	AgNi
Setting range (ventilation)	°C	-	-20...+40 +0...+60
Switch temperature differential	K	-	7±4
Setting range (heating)	°C	-20~+40	+0~+60
Switch temperature differential	K	7±4	-
Electrical life at rated load AC1	cycles	100 · 10 ³	100 · 10 ³
Ambient temperature range	°C	-45~+80	-45~+80
Protection category		IP 20	IP 20

Insulation			
Dielectric strength between open contacts	V AC	500	
Other data			
Screw torque	Nm	0.5	0.5
Max. wire size		solid cable	stranded cable
	mm ²	1×2.5	1×1.5
	AWG	1×12	1×16
Model No.			
	KNC 011	NC Type for heating	
	KNO 011	NO Type for cooling	



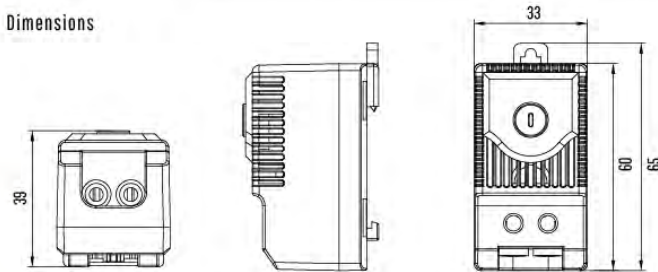
Performance

- Large setting range
- Simple to mount
- Small size
- High switching performance

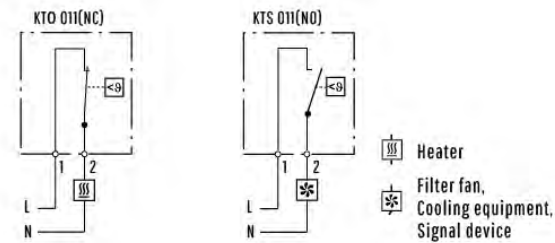
KTO 011: Thermostat(normally closed); contact breaker for regulating heaters.

KTS 011: Thermostat (normally open): contact maker for regulating filter fans and heat exchangers or for switching signal device when temperature limit has been exceeded.

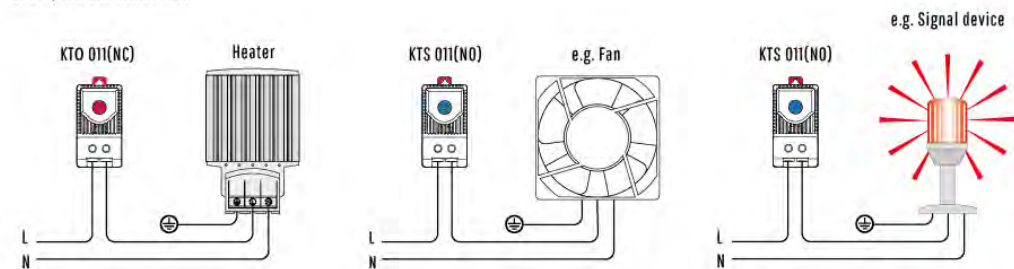
Dimensions



Connection diagrams



Examples of connection



Temperature range	0~+60 °C		
KTO 011 NC(Normally closed)	When the temperature reaches the set value, open circuit		
KTS 011 NO(Normally open)	When the temperature exceeds the set value action, closed circuit		
Switch temperature difference	7K(+4K tolerance)		
Sensor element	thermostatic bimetal		
Contact type	Snap-action		
Contact resistance	<10m ohm(Incidental connection line)		
Service life	>100,000 cycles		
Max. Switching capacity	250VAC,10(2)A,120VAC,15(2)A,30WDC at 24VDC to 72VDC		
Connection	2-pole terminal, clamping torque 0.5Nm max.:rigid wire 2.5mm ² ,stranded wire (with wire end ferrule) 1.5mm ²		
Casing	plastic according to UL94 V-0, light grey		
Installation	35mm DIN Installation guide		
Dimensions	60×33×43mm		
Weight	40g		
fitting position	variable		
Operating/Storage temperature	-20~+80 °C		
Protection type	IP20		

Setting range	Art. No. Contact Breaker (NC)	Art. No. Contact Maker (NO)	Approvals
0 to +60°C	KTO 011	KTS 011	CE



Performance

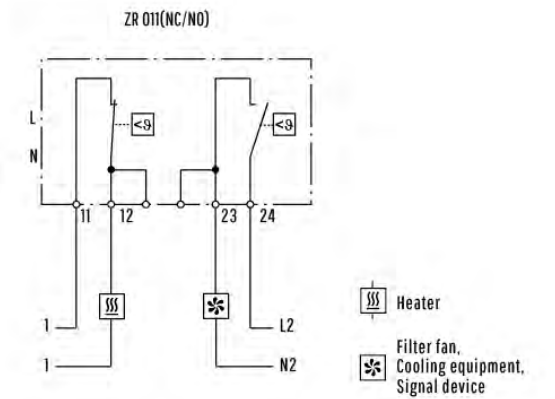
- Terminals easily accessible
- High switching capacity
- NO and NC in one casing
- Separate adjustable temperatures
- Clip Fixing

Two thermostats in one casing:

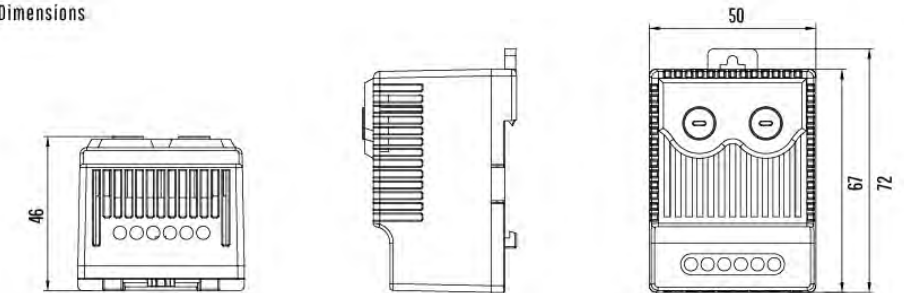
Thermostat(contact breaker, normally closed)for regulating heaters Thermostat(contact make, normally open) for regulating filter fans and heat exchangers or switching signal devices when temperature limit has been exceeded.

Heaters and cooling equipment can be switched independently from each other with a temperature offset a he usual change-over contacts.

Connection diagrams



Dimensions



Temperature range	NO/NC:0~+60 °C		
Switch temperature difference	7K(+4K tolerance)		
Sensor element	thermostatic bimetal		
Contact type	Snap-action		
Contact resistance	<10m ohm		
Service life	>100,000 cycles		
Max. Switching capacity	250VAC,10(2)A, 120VAC,15(2)A, DC 30W		
Connection	4-pole terminal, clamping torque 0.5Nm max.: rigid wire 2.5mm ² , stranded wire (with wire end ferrule) 1.5mm ²		
Installation	35mm DIN Installation guide		
Casing	UL94 V-0 Plastic, light gray		
Dimensions	67×50×46mm		
Weight	90g		
fitting position	variable		
Operating/Storage temperature	-20~+80 °C		
Protection type	IP20		

Setting range	Art. No. Contact Breaker (NC)	Art. No. Contact Maker (NO)	Approvals
0 to +60°C	ZR 011	ZR 011	CE

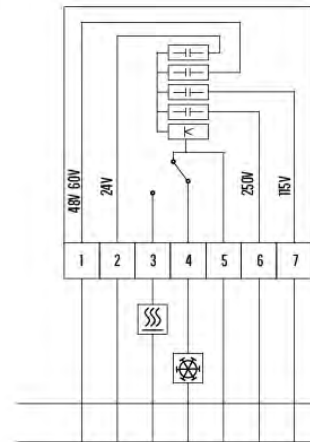
JWT6011 Enclosure Internal Thermostat (Electronic)



Performance

- Bi-metal controller as a temperature sensitive element with thermal feedback.
- Contact population: Single-pole change-over contact as a quick-break contact.
- Voltage scope is wide, any type could be used from 24- 230 V
- Time-saving connection, terminal block could be installed screw from outside
- Easy installation, could be installed to 35mm din rail vertically or horizontally, according to EN50 022, it could be clipped to TS/35 cabinet profile with its accessory adapter.

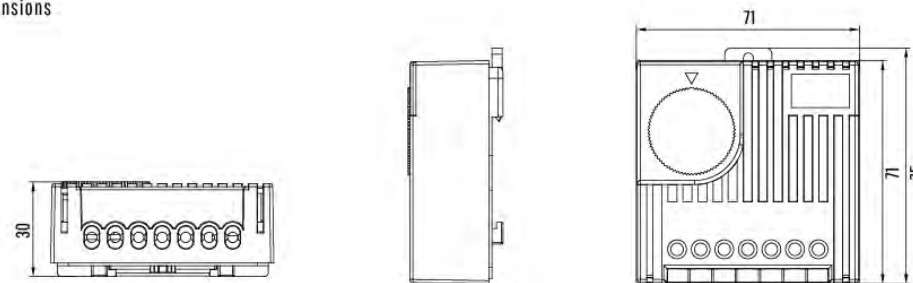
Connection diagrams



48V/60V N	24V N	SSS	⊗	(L) L	(L2*) 250V N	115V N
1	2	3	4	5	6	7

Application Especially suitable for controlling fan-and-filter units, heaters and heat exchangers, this thermostat can also be used as a signal generator for monitoring the enclosure internal temperature.

Dimensions



Permissible contact load:

Cat. 5 - 3 (heating) AC 10 (4*) A, DC = 30 W Cat. 5 - 4 (cooling) AC 5 (4*) A,

DC = 30 W * () = inductive load at cos phi = 0.6

Setting range: 0 - + 60 °C

Operating voltage	AC24-250V.50HZ
Sensor element	NTC
Setting range	-20-+60 °C
Switch tolerance	±1 °C (on 25 °C)
Storage temperature	-45-+70 °C



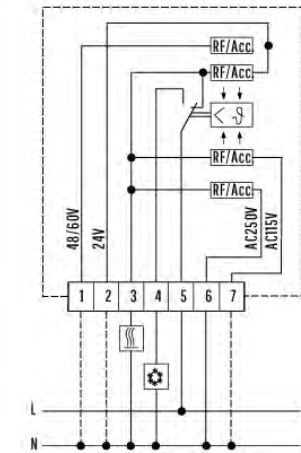
JWT6011-2 Enclosure Internal Thermostat (Mechanical)



Performance

- Bi-metal controller as a temperature sensitive element with thermal feedback.
- Contact population: Single-pole change-over contact as a quick-break contact.
- Voltage scope is wide, any type could be used from 24- 230 V
- Time-saving connection, terminal block could be installed screw from outside
- Easy installation, could be installed to 35mm din rail vertically or horizontally, according to EN50 022, it could be clipped to TS/35 cabinet profile with its accessory adapter.

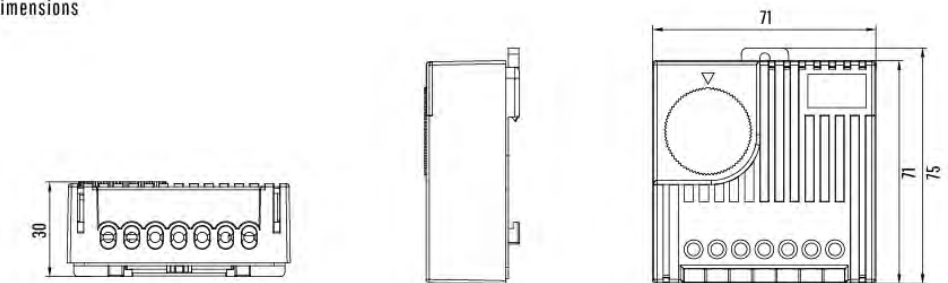
Connection diagrams



48V/60V N	24V N	SSS	⊗	(L1*) L	(L2*) 250V N	115V N
1	2	3	4	5	6	7

Application Especially suitable for controlling fan-and-filter units, heaters and heat exchangers, this thermostat can also be used as a signal generator for monitoring the enclosure internal temperature.

Dimensions



Rated operating voltage	230/115/60/48/24V (AC), 60/48/24V (DC)	
Sensor element	Bimetal	
Size	71x71x33.5mm	
Weight	105g appr	
Switch discrepancy	1K±0.8K	
contact load permissible	K1.5-3(heating)	K1.5-4(cooling)
	DC 10(4)A, AC=30W	DC 5(4)A, AC=30W
Temperature control range	+5-+60 °C	

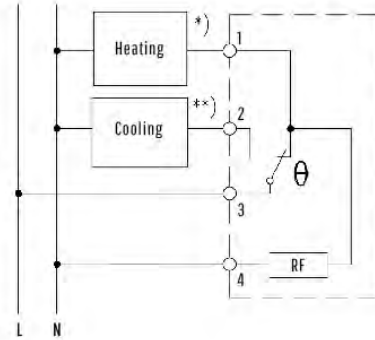


Performance

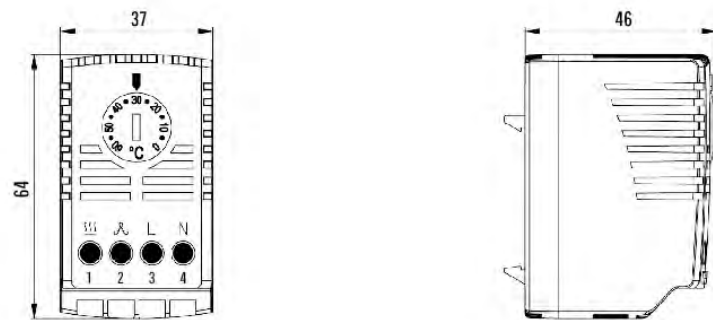
- Easily mounted on 35mm DIN rails with snap on attachment per EN50022
- Locking adjusting knob grey scale
- Standard thermic reduction

Temperature controller for controlling cabinet heaters, filter fans, slide-in fans, heat exchangers etc.

Connection diagrams



Dimensions



Storage temperature	-20° bis + 80°C
Rated operating voltage	100-250VAC
Heating (opened con.)	10 A (2) DC 30W
Cooling (closed con.)	5 A (2) DC 30W
Connection	4 screw terminals 2,5 mm ²
Sensor element	Bimetal
Service life time	> 100.000 switching cycles
Temperature control range	0 - +60 C
Surface finish	Plastic light grey UL94V0
Dimensions (WxHxD)	37x64x46mm
Weight	0.06 kg
Protection type	IP20

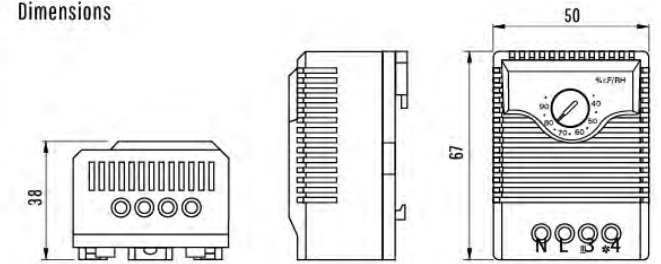


Performance

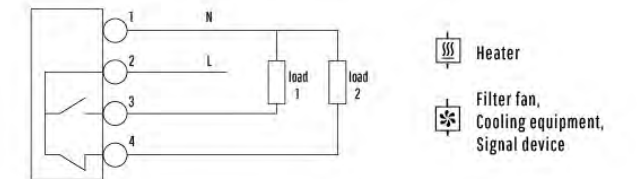
- Adjustable relative humidity
- Change-over contact
- High switching capacity
- Easily accessible terminals
- Clip fixing

The electromechanical hygrostat is designed to control enclosure heaters so that the dew point is raised when a critical relative humidity of 65% is exceeded. In this way condensation and corrosion in enclosures with electric/electronic components is effectively prevented.

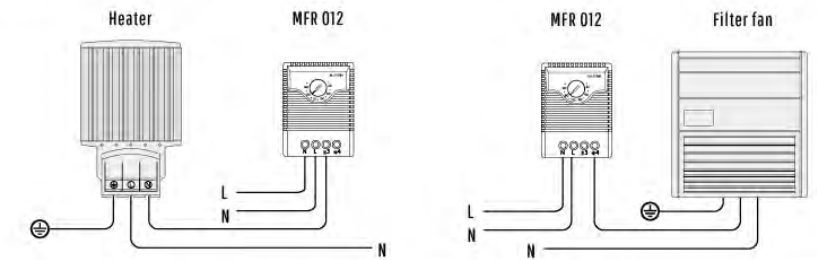
Dimensions



Connection diagrams



Examples of connection



Switching error	4% RH (±3% tolerance)
Relative humidity range	35 - 95 %
Allow wind speed	15m/sec
Contact type	Changeover contact
Contact resistance	<10m ohm
Service life	>50.000 cycles
Mix. Switching capacity	20V AC/DC 100 mA
Max. Switching capacity	250V AC, 5(1)A, DC 20W
Connection	3-pole terminal for 2.5mm ² , clamping torque 0.5Nm max.: rigid wire 2.5mm ² , stranded wire (with wire end ferrule) 1.5mm ²
Installation	35mm DIN Installation guide
Casing	UL94 V-0 Plastic, light gray
Dimensions	67x50x38mm
Weight	about 60g
Fitting position	variable
Operating/Storage temperature	0 - +60°C (+32 - +140°F) / -20 - +80°C (-4 - +176°F)
Protection type	IP20
Model No.	Setting range
MFR 012	35 - 95% RH

MFR012-2 Hygrostat (Mechanical)

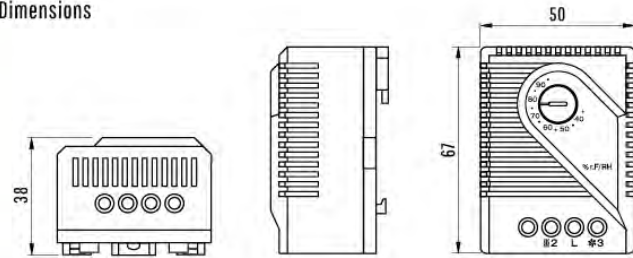


Performance

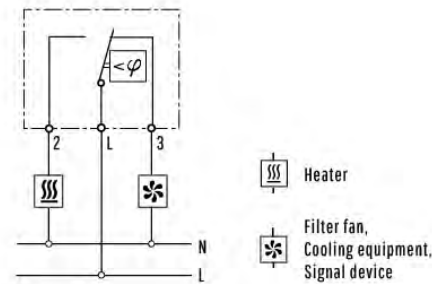
- Adjustable relative humidity
- Change-over contact
- High switching capacity
- Easily accessible terminals
- Clip fixing

The electromechanical hygrostat is designed to control enclosure heaters so that the dew point is raised when a critical relative humidity of 65% is exceeded. In this way condensation and corrosion in enclosures with electric/electronic components is effectively prevented.

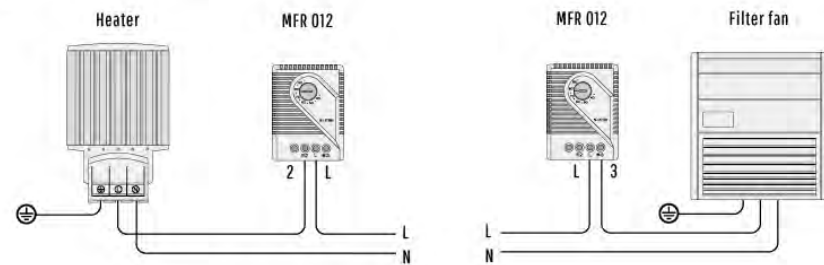
Dimensions



Connection diagrams



Examples of connection



Switch difference*	4% RH (± 3% tolerance)
Permissible air velocity	15m/sec.
Contact type	change-over contact
Service life	>50,000 cycles
Mix. Switching capacity	250VAC, 5A 20WDC
Max. Switching capacity	5AAC
Connection	3-pole terminal for 2.5mm ² , clamping torque 0.5Nm max.:rigid wire 2.5mm ² stranded wire (with wire end ferrule) 1.5mm ²
Mounting	plastic according to UL94 V-0, light grey
Casing	clip for 35mm DIN rail, EN 60715
Dimensions	67 x 50 x 38mm
Weight	approx. 60g
Fitting position	variable
Operating / Storage temperature	0 - +60°C (+32 - +140°F)
Operating / Storage humidity	-40 - +60°C (-40 - +140°F)
Protection type	IP20
Model No.	Setting range
MFR012-2	35 - 95% RH



EFR012 Electronic Hygrostat

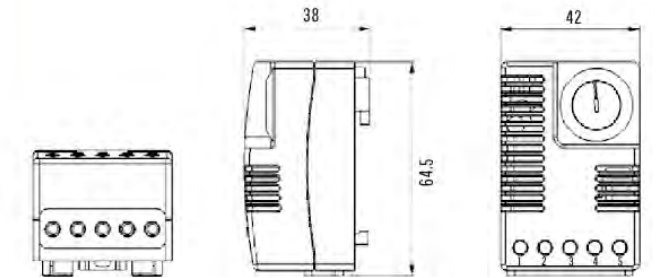


Performance

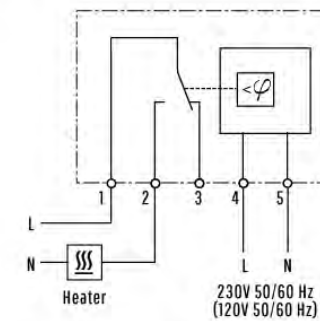
- Temperature and humidity adjustable
- Optical operating display (LED)
- High switching capacity
- Clip fixing

The electronic hygrotherm senses the ambient temperature and relative humidity in an enclosure with electric / electronic components and turns on a heater (or alternatively a fan) at either set point, helping prevent the formation of condensation in the enclosure. The LED integrated in the adjustment knob on the active controller is lit when the connected device is in operation.

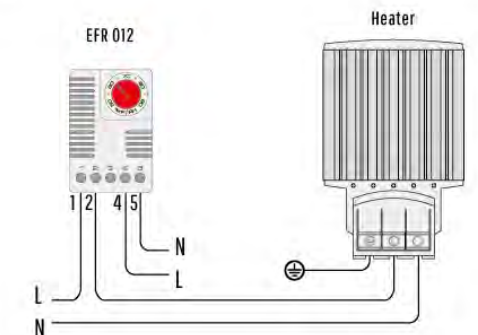
Dimensions



Connection diagrams



Examples of connection



Switch difference	5% RH (±1% RH tolerance) at 25°C/77°F (50% RH)
Reaction time	5 sec.
Contact type	change-over contact (relay)
Service life	> 50,000 cycles
Max. switching capacity (relay output)	240VAC, 8(1.6) A : 120VAC, 8 (1.6)A; 100WDC at 24VDC
EMC	acc.to EN 55014-1-2, EN 61000-3-2, EN 61000-3-3
Optical indicator	LED
Connection	5-pole terminal, clamping torque 0.5Nm max.:rigid wire 2.5mm ² stranded wire (with wire end ferrule) 1.5mm ²
Mounting	clip for 35mm DIN rail.(EN50022)
Casing	UL94 V-0, light grey
Dimensions	64.5 x 42 x 38mm
Weight	approx. 70g
Fitting position	vertical
Operating / Storage temperature	0 - +60°C(+32 - +140°F) / -20 - +70°C(-4 - +158°F)
Operating / Storage humidity	max. 90 % RH (non-condensing)
Protection type	IP20

Model No.	Rated operating voltage,frequency	Setting range	Approvals
01245.0-00	230VAC, 50/60Hz	40 - 90% RH	CE
01246.0-00	230VAC, 50/60Hz	65% RH pre-set	CE
01245.9-00	120VAC, 50/60Hz	40 - 90% RH	CE
01246.9-00	120VAC, 50/60Hz	65% RH pre-set	CE

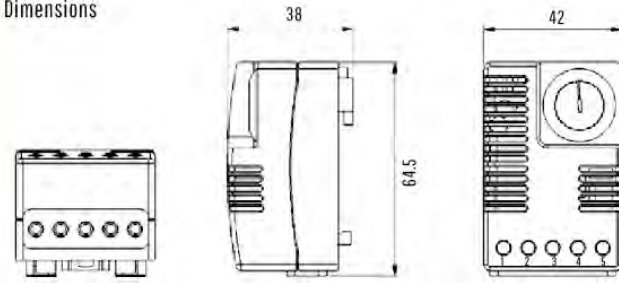


Performance

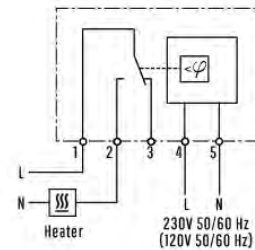
- Large setting range
- Optical operating display (LED)
- Change-over contact
- Small hysteresis
- Clip fixing

The electronic thermostat is used for controlling heating and cooling equipment, filter fans or signal devices. The thermostat registers the surrounding air and can switch both inductive and resistive loads via relay with change-over contact. The LED integrated in the adjustment knob is lit when the NC contact is closed (e.g. when a connected heater is operating).

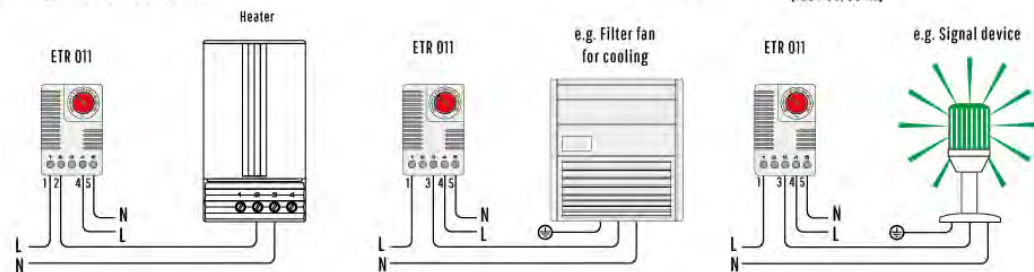
Dimensions



Connection diagrams



Examples of connection



Switch difference	4K (±1K tolerance) at 20 °C/68 °F
Sensor element	NTC
Reaction time	5 sec
Contact type	change-over contact (relay)
Service life	> 50,000 cycles
Max. switching capacity (relay output)	240VAC, 8(1.6)A/120VAC, 8(1.6)A 100WDC at 24VDC
Max. inrush current	16AAC for 10 sec.
Optical indicator	LED
Connection	5-pole terminal, clamping torque 0.5Nm max.: rigid wire 2.5mm ² stranded wire (with wire end ferrule) 1.5mm ²
Mounting	clip for 35mm DIN rail, EN 60715
Casing	plastic according to UL94 V-0, light grey
Dimensions	64.5 x 42 x 38mm
Weight	approx. 70g
Fitting position	vertical
Operating / Storage temperature	-40 - +85°C (-40 - +185°F)
Operating / Storage humidity	max. 90 % RH (non-condensing)
Protection type	IP20

Model No.	Rated operating voltage, frequency	Setting range temperature	Approvals
01131.0-00	230VAC, 50/60Hz	-20 - 60 °C	CE

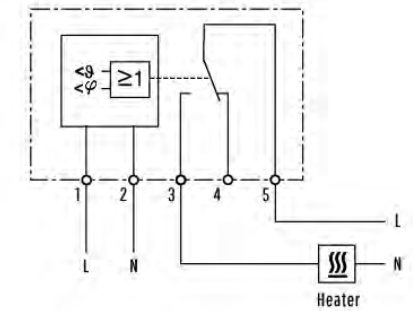


Performance

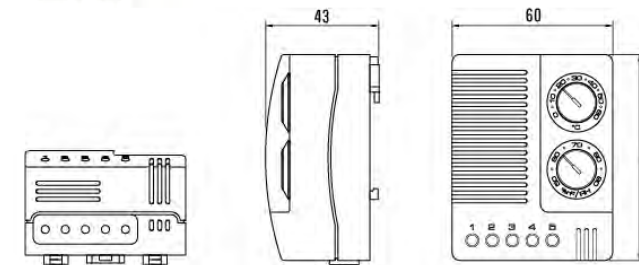
- Temperature and humidity adjustable
- Optical operating display (LED)
- High switching capacity
- Clip fixing

The electronic hygrotherm senses the ambient temperature and relative humidity in an enclosure with electric / electronic components and turns on a heater (or alternatively a fan) at either set point, helping prevent the formation of condensation in the enclosure. The LED integrated in the adjustment knob on the active controller is lit when the connected device is in operation.

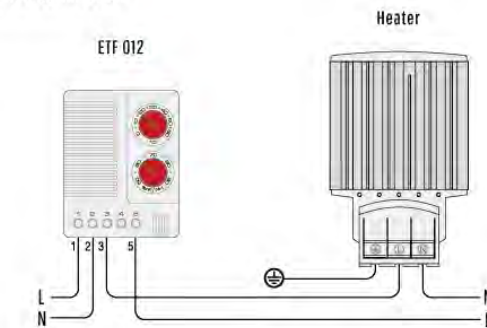
Connection diagrams



Dimensions



Examples of connection



Switch difference (temperature)	2K (±1K tolerance) at 25°C/77°F (50% RH)
Switch difference (humidity)	4% RH (±1% tolerance) at 25°C/77°F (50% RH)
Reaction time (humidity)	5 sec.
Contact type	change-over contact (relay)
Contact resistance	<10mΩ
Service life	NC: 50,000 cycles, NO: 100,000 cycles
Max. switching capacity (relay output)	NC: 240VAC, 6(1)A NO: 240VAC, 8(1.6)A, NC: 120VAC, 6(1)A NO: 120VAC, 8(1.6)A 24VDC, 4A
EMC	acc. to EN 55014-1-2, EN 61000-3-2, EN 61000-3-3
Optical indicator	LED
Connection	5-pole terminal for 2.5mm ² , clamping torque 0.5Nm max., rigid wire 2.5mm ² , stranded wire (with wire end ferrule) 1.5mm ²
Mounting	clip for 35mm DIN rail, EN 60715
Casing	plastic according to UL94 V-0, light grey
Dimensions	77x60x43mm
Weight	approx. 0.2kg
Fitting position	vertical
Operating / Storage temperature	0 - +60 °C (+32 - +140 °F) / -20 - +80 °C (-4 - +176 °F)
Protection type	IP20

Model No.	Rated operating voltage, frequency	Setting range temperature	Setting range humidity	Approvals
01230.0-00	230VAC, 50/60Hz	0 - +60 °C	50 - 90% RH	CE
01230.9-01	120VAC, 50/60Hz	0 - +60 °C	50 - 90% RH	CE



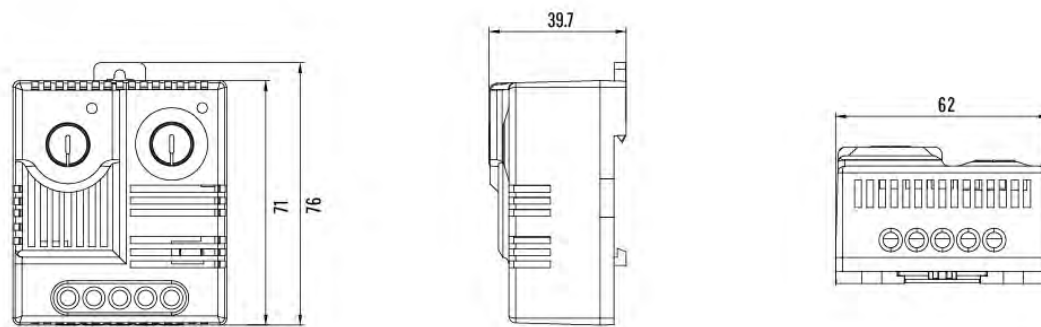
KTOMF 012



KTSMF 012



Dimensions



Temperature switching difference	7k(±4k tolerance)
Humidity switching difference	4%RH(±3% tolerance)
Temperature sensor element	Bimetal sensor
Relative humidity range	35%-95%RH
Temperature control contact mode	Step type contact point
Humidity control contact mode	Change over switch
Mean life	750,000 cycles
Min Switching capacity	20VAC/DC 100m A
Max Switching capacity	250VAC/DC 5(1)A DC30W
Connection	5 - pole terminal,clamping torque 0.5Nm Max for solid wire 2.5mm ² and stranded wire(with wire and ferrule) 1.5mm ²
Installation	35mm Din rail
Casing	UL94V - 0, light grey
Dimension	70x63x40mm
Weight	90g
Fitting position	Cabinet top
Operating temperature	0-+60°C(+32-+140°F)
Storage temperature	-20-+80°C(-4-+176°F)
Protection level	IP20

Model

- KTOMF012 Hygrostat Thermostat (Heating)
- KTSMF012 Hygrostat Thermostat (Colding)

Superiority

- Integrated integration: AC input, AC output, offering convenience in use.
- With LED indicator,easier to recognize working state.
- Small size for a variety of applications.
- Stable long - time operating.
- ROHS compliant.

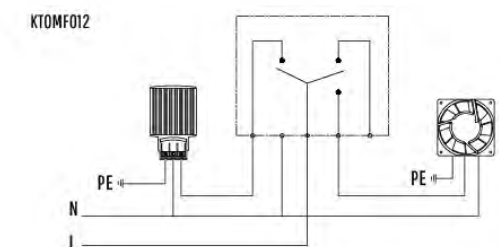
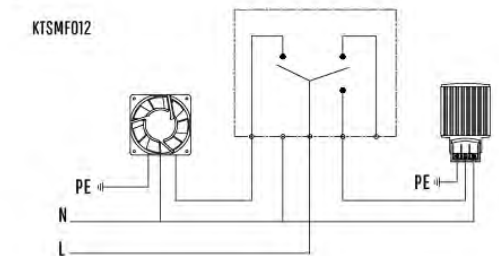
Performance

- Temperature control: If the ambient temperature rises above the value set on the temperature dial, the electric circuit is cut off. A tolerance of 1 - 3°C is allowed.
- Humidity control: If the relative humidity exceeds the value set on the humidity dial, the electric circuit is cut off. Return difference is 5 - 10% RH.
- Power: AC220V. Other voltage is alternative.
- Current: Max 46mA.
- Storage conditions: Temperature: - 20 - 60°C; Humidity: 20 - 95%RH.
- Operating conditions: Temperature: - 10 - 50°C; Humidity: 40 - 90%RH.
- Humidity sensor: Polymer humidity resistance.
- Temperature sensor: Bimetal sensor.

Elements

- Set up the operation range by adjusting the knob. When the ambient temperature drops below the value pre - set, the electric circuit is closed via terminal LED illuminates. When the ambient temperature rises above the value pre - set, the electric circuit is opened via terminal LED blacks out.
- Set up the operation range by adjusting the knob. When the relative humidity drops below the value pre - set, the electric circuit is closed via terminal LED illuminates. When the relative humidity rises above the value pre - set, the electric circuit is cut off via terminal LED blacks out. In order to protect the loads not to work too frequently, the return difference is 5 - 10%RH, means the electric circuit is closed when the humidity drops 5 - 10% below more than the value pre - set.

Connection diagrams





KTH082



(Energized state)



(Figure A)



(Figure B)



(Figure C)

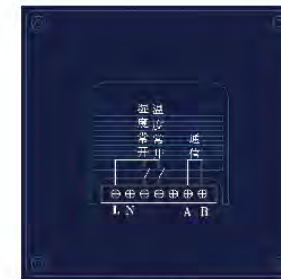


(Figure D)

20-90%RH (No condensation)



(Figure 1)



(Figure 2)



(Figure 3)

1.2Button, i.e.(Figure D):

- "POWER" : Press this button to switch on or off.
- "SET" : In the boot state, press this button, the product is in setting mode for temperature of humidity. Meanwhile, the digital display of humidity or temperature blinking.If no button press within 10 seconds, it automatically exit the setting status .
- "PLUS" :In the set state, press this button, the set values increase one as per each single press. The max. Humidity set value is 80%RH,and the max. temperature set value is 60°C.Exiting setup automatically, if no button press in 10 seconds.
- "MINUS" :In the set state, press this button, the set values decrease one as per each single press. The min. Humidity set value is 10%RH,and the min. temperature set value is 5°C.Exiting setup automatically, if no button press in 10 seconds2.

2. Output Control

2.1 Humidity Output Control

If the measured humidity exceeds the set value,output relay closed for dehumidifying. And the dynamic fan displays the operation status. If the measured humidity are 5% RH less than the set value, dehumidifying stopped, the dynamic fan indicator off.The humidity difference are 5%RH so as to avoid the frequent switch over the critical point which shorten service time. With initial power on, there are 3 seconds' time-delay from output control , i.e. The dehumidifying controller starts action in 3 seconds under the right humidity, indicator display the running mode.

2.2 Temperature Control Output

If the measured temperature exceeds the set value, the output relay closed for heating. Thus the heating signal display the operation status. If the measured temperature are 2°C less than the set value, heating stopped, the heating signal off.The heating difference are 2°C so as to avoid the frequent switch over the critical point which shorten the service time.

With initial power on, there are 3 seconds' time-delay from output control , i.e. The heating relay controller starts action in 3 seconds under the right humidity, indicator displays the running mode.

2.3 Power down memory protection.

With power down memory protection, it could save user' s setting parameter on equipment in case of sudden power off.

2.4 Communication

This product adopts 485 communication mode, which allow the temperature, humidity parameter and running status to be uploaded to the remote computers. The display mode as below.

3.Dimensions and connection diagram, i.e.(Figure 1)

3.1Flush mounted controller, opening size 82.5x82.5mm.

3.2 Terminal block diagram at backside of controller, i.e.(Figure 2)

(1) Power: AC220V/50HZ: Connect power supply with terminal L and N

(2) Load Terminal: Connect the heater with NO contact ; Connect the fan with NC contact .

(3) 485 communication terminals; connect A and B.

4.USB Converter Connector, i.e.(Figure 3)

4.1 USB terminal on the left side : Connect with the USB port on the computer, installation requires a USB drive (see details on 485USB drive);

4.2 RS485 on the right side: connect controller with terminal A and B.

Overview

Adopting the MCU control system, the product provide a real time monitoring and controlling over temperature and humidity, which assures an appropriate ambient temperature and humidity through intelligent climate control.

1.Functions

1.1The temperature and humidity values are displayed on a high definition LCD screen.Displaying diagram as below, i.e.(Figure A):

- Displaying humidity measurement by 2 digits, i.e: 60%RH.
- Displaying humidity set value : In the set state, 500ms/time,humidity set value is blinking .i.e: 40%RH.
- Displaying temperature measurement value by 2 digits, i.e: 25°C.
- Displaying temperature set value: In set state, 500ms/time.temperature set value is blinking: i.e.: 25°C.

● Dehumidifying mode indication, i.e.(Figure B):

When the equipment is in dehumidifying mode, it display the status by the dynamic fan.

- Heating mode indication, i.e.(Figure C): when the equipment is in heating mode, it display the status by heating signal.

Input voltage	AC220V±10%, Other voltages can be customized
Humidity range	20-90%RH (no condensation)
Humidity accuracy	±5%RH (at 25°C)
Temperature range	-20~80°C
Temperature Accuracy	±1°C (at 25°C)
Humidity set range	20-80%RH
Operating temperature/humidity	temperature -20°C~60°C, humidity 10~95 %RH (no condensation)
Storage temperature/humidity	temperature -10°C~40°C, humidity10~90%RH (no condensation)
Switching capacity	pure resistance load AC250V/10A, DC30V/5A
Power down memory	Intelligent memory for its preset parameter in case of power failure

Temperature&Humidity Remote Control Display System

It can display the temperature, humidity parameter and running status of 5 cabinet enclosures at same time.

Enclosure No.	Measured Temperature	Measured Humidity	Running State
1#	25°C	60%RH	Running
2#	25°C	60%RH	Stop
3#	25°C	60%RH	Running
4#	25°C	60%RH	Stop
5#	25°C	60%RH	Stop



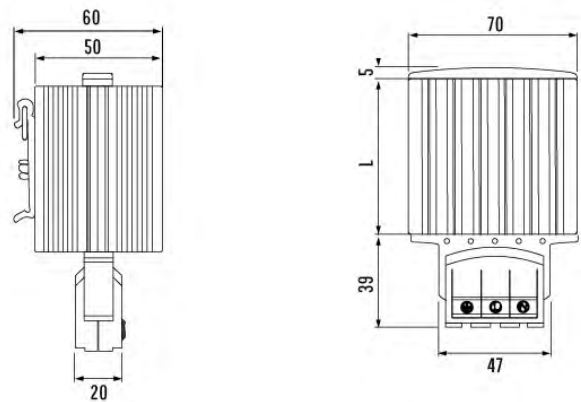
HG 140-150W



HG 140-15W



Dimensions



Operating voltage	110-250V AC/DC
Heating element	PTC resistor, self regulating and temperature limiting
Heater body	extruded aluminium profile, anodised
Connection casing	3 pressure clamps for stranded wire 0.5-1.5mm ² , (with wire and ferrule) and rigid wire 0.5-2.5mm ²
Mounting	Plastic according to UL94 V-0, black clip for 35mm DIN rail, EN 50022
Fitting position	vertical
Operating/Storage temperature	-45 - +70°C (-49 - +158°F)
Protection type/Protection class	IP20/I(earthed)
Certificate	CE

Model No.	Heating capacity	Inrush current max.	Length (mm)	Weight (approx. kg)
HG 140-15	15W	1.5	70	0.25
HG 140-30	30W	2.5	70	0.25
HG 140-45	45W	3.0	70	0.25
HG 140-60	60W	3.5	70	0.25
HG 140-75	75W	4.0	70	0.25
HG 140-100	100W	4.5	140	0.40
HG 140-150	150W	9.0	140	0.40

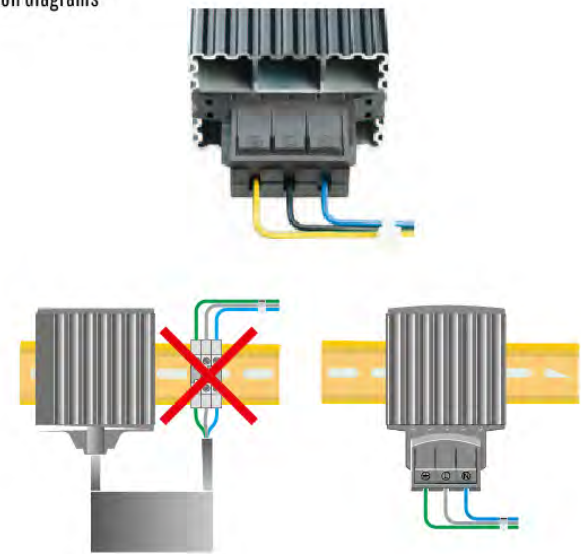
HG 140

Performance

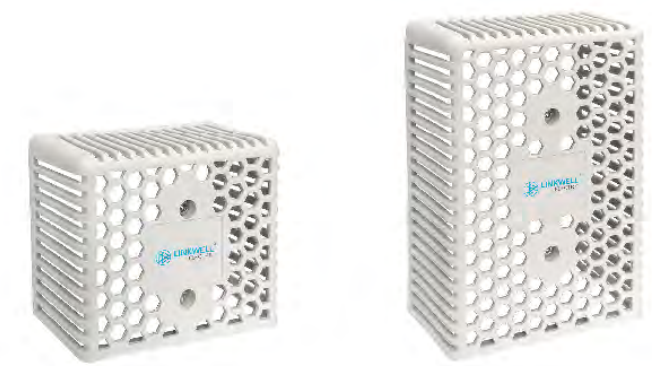
- Pressure clamp connectors
- Dynamic heating up
- wide voltage range
- Temperature limiting
- Energy saving
- Clip fixing
- Quick installation

These heaters are used in enclosures where damage from condensation must be prevented or where the temperature may not fall below a minimum value. The aluminium profile heater body design has a chimney effect and distributes the heat evenly. The pressure clamp connectors save time and simplify installation.

Connection diagrams



Heater burn protective cover (optional)

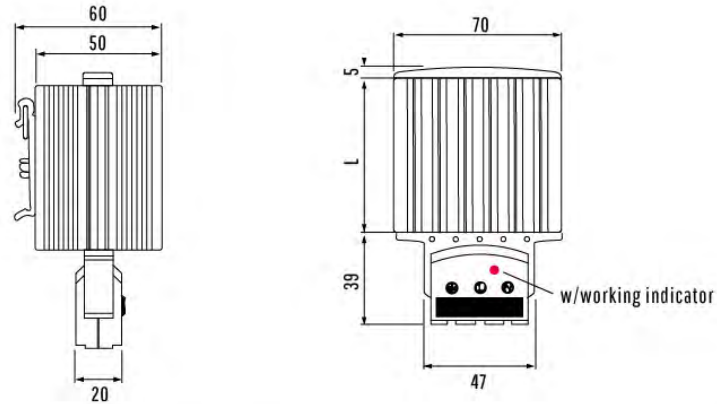


HG140-DG(15W-75W)

HG140-CHG(100W-150W)



Dimensions



Operating voltage	110-250V AC/DC
Heating element	PTC resistor, self regulating and temperature limiting
Heater body	extruded aluminium profile, anodised
Connection casing	3 pressure clamps for stranded wire 0.5-1.5mm ² , (with wire and ferrule) and rigid wire 0.5-2.5mm ² ,
Mounting	Plastic according to UL94 V-0, black clip for 35mm DIN rail, EN 50022
Fitting position	vertical
Operating/Storage temperature	-45 - +70°C (-49 - +158°F)
Protection type/Protection class	IP20/I(earthed)
Certificate	CE

Operating with voltages below 140V AC/DC reduces heating performance by approx. 10%

Model No.	Heating capacity	Inrush current max.	Length (mm)	Weight (approx. kg)
LK 140-15	15W	1.5	70	0.25
LK 140-30	30W	2.5	70	0.25
LK 140-45	45W	3.0	70	0.25
LK 140-60	60W	3.5	70	0.25
LK 140-75	75W	4.0	70	0.25
LK 140-100	100W	4.5	140	0.40
LK 140-150	150W	9.0	140	0.40

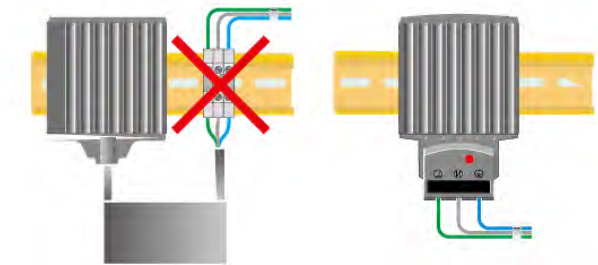
LK 140

Performance

- Screw terminal connector
- Dynamic heating up
- wide voltage range
- Temperature limiting
- With indicator showing on/off
- Energy saving
- Clip fixing
- Quick installation

These heaters are used in enclosures where damage from condensation must be prevented or where the temperature may not fall below a minimum value. The aluminium profile heater body design has a chimney effect and distributes the heat evenly. The pressure clamp connectors save time and simplify installation.

Connection diagrams



Heater burn protective cover (optional)





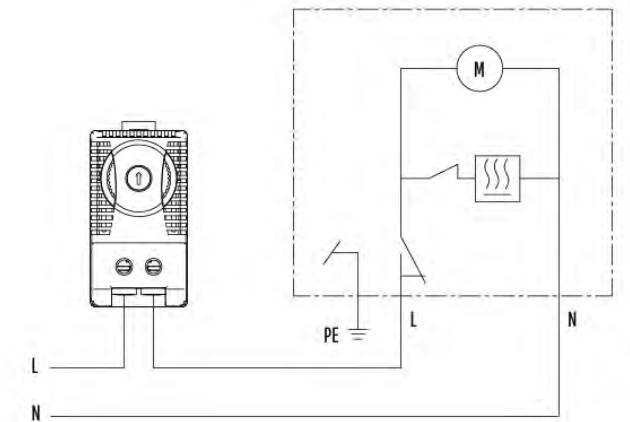
HGL 046

Performance

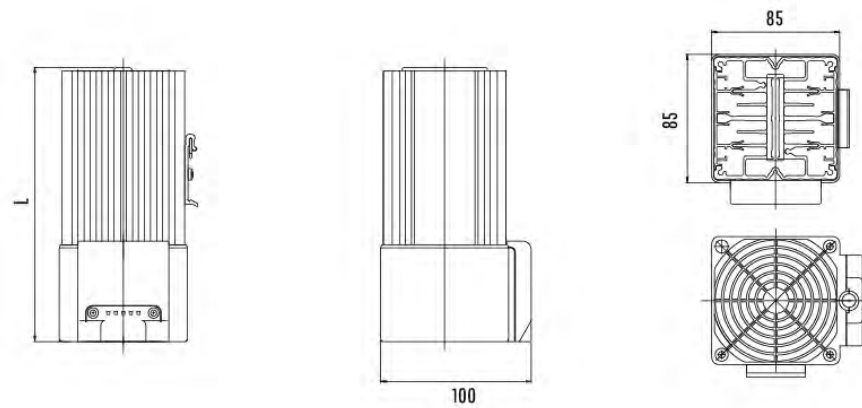
- Compact Design
- Clip fixing
- Long service life
- Maintenance free
- Temperature safety cut-out

Compact fan heater prevents formation of condensation. The integrated high performance axial fan provides forced air circulation and so guarantees an even temperature in enclosures. With internal terminal connector.

Connection diagrams



Dimensions



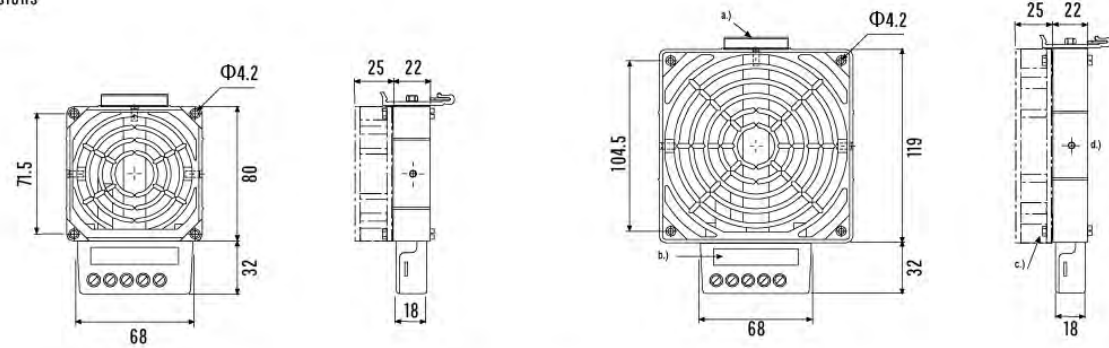
Operating voltage	230V AC 50/60Hz
Heating element	PTC resistor, self regulating and temperature limiting to protect against overheating in case of fan failure
Temperature safety cut-out	to protect against overheating in case of fan failure
Heater body	anodised extruded aluminium profile
Surface temperature	max. 75 °C (400W)
Axial fan	Airflow, free flow AC: 45m ³ /h (50Hz) or 54m ³ /h (60Hz) DC: 54m ³ /h
Mean life	50 000h at 25 °C
Connection	internal connection terminal 1.5mm ² with strain relief clamping torque 0.8Nm max.
Connection casing	plastic according to UL94 V-0, black
Mounting	clip for 35mm DIN rail, EN 50022
Fitting position	vertical
Operating/Storage temperature	-45 - +70 °C (-49 - +158°F)
Protection type/Protection class	IP20 / I (earthed)

Model No.	Operating voltage	Heating capacity	Width/Height/Depth (mm)	Weight (approx.)
HGL046-100W	230V AC, 50/60HZ	100W	85x130x85mm	0.77kg
HGL046-150W	230V AC, 50/60HZ	150W	85x130x85mm	0.77kg
HGL046-200W	230V AC, 50/60HZ	200W	85x130x85mm	0.77kg
HGL046-250W	230V AC, 50/60HZ	250W	85x183x85mm	1.10kg
HGL046-400W	230V AC, 50/60HZ	400W	85x216x85mm	1.40kg





Dimensions



HVL 031	Heater without fan (fan mounting kit included)
HV 031	Heater with fan
Heating element	high performance cartridge
Temperature safety cut-out	to protect against overheating in case of fan failure
Heater body	die-cast aluminium(glass bead blasted)
Connection	3-pole screw connector 2.5mm ² , clamping torque 0.8Nm max
Connection casing	plastic according to UL94 V-0, BLACK
Mounting	clip for 35mm DIN rail, EN50022
Fitting position	horizontal
Operating/storage temperature	-45 - +70°C (-49 - +158°F)
Protection type/Protection class	IP20/1(earthed)
HVL 031	
Mean life	50,000h at 25°C/(77°F)
Connection(axial fan)	2-pole screw connector 2.5mm ² (L2/N2)

Art.no.HVL 031 (with fan)	Art.no.HVL 031 (with fan)	Heating capacity	Airflow min	Dimensions	Weight(approx.)
230V AC,50/60Hz	120V AC,50/60Hz		free flow		
03102.0-00	03102.9-00	100W	35m ³ /h	80 x 112 x 47mm	0.60kg
03103.0-00	03103.9-00	150W	35m ³ /h	80 x 112 x 47mm	0.60kg
03113.0-00	03113.9-00	200W	108m ³ /h	119 x 151 x 47mm	0.90kg
03114.0-00	03114.9-00	300W	108m ³ /h	119 x 151 x 47mm	0.90kg
03115.0-00	03115.9-00	400W	108m ³ /h	119 x 151 x 47mm	0.90kg

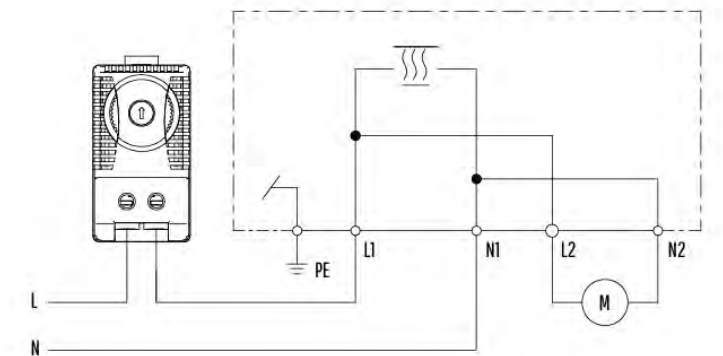
HV/HVL031

Performance

- Compact
- Flat design
- High air through-flow
- Clip fixing
- Temperature safety cut-out

Compact high-performance fan heater prevents formation of condensation and frost and provides an evenly distributed interior air temperature in enclosures with electric/electronic components. This fan heater is available without fan (HV 031) and with fan (HVL 031).

Connection diagrams



Art.no.HV 031 (without fan)	Art.no.HV 031 (without fan)	Heating capacity	Dimensions	Weight(approx.)
230V AC,50/60Hz	120V AC,50/60Hz			
03100.0-00	03100.9-00	100W	80 x 112 x 22mm	0.40kg
03101.0-00	03101.9-00	150W	80 x 112 x 22mm	0.40kg
03110.0-00	03110.9-00	200W	119 x 151 x 22mm	0.50kg
03111.0-00	03111.9-00	300W	119 x 151 x 22mm	0.50kg
03112.0-00	03112.9-00	400W	119 x 151 x 22mm	0.50kg



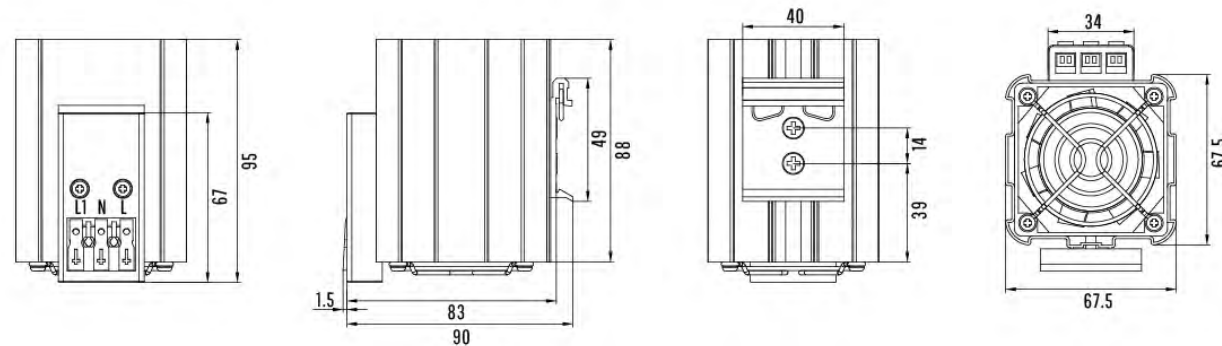
LK 143

Performance

- Connections: Pos 1 Heater, Live
 Pos 2 Neutral
 Pos 3 Fan, Live
 Note: Heater must be mounted vertically with air exit at the top



Dimensions



LK143 220-240V 150W Screw Mount, 60mm Axial fan PTC heating element, with cage clamp connection

Type Number	LK143			
Nominal power output (+5/-10%) at 10 °C	150W	300W	400W	500W
Input Voltage	220-240V AC			
Rated frequency	50-60Hz			
Max. body temperature (25°C Ambient)	74°C			
Connection (Cage Type)	Push In			
Fan Lifetime (MTTF)	329,447hrs (30°C ~65%RH)			
Operating & Storage Temperature	-40~70°C (RH<20%)			
Air Flow Rate (zero static pressure)	30m³/hr (18 CFM)			
Weight	300g			
Ingress Protection (EN60529)	IP20			
Electrical Protection	SK II			
Recommended Fuse (time Delay)	TBD	6.3A	6.3A	8A
Mounting	Aluminum DIN Clip 35mm EN50022 Compliant			



KHL 120

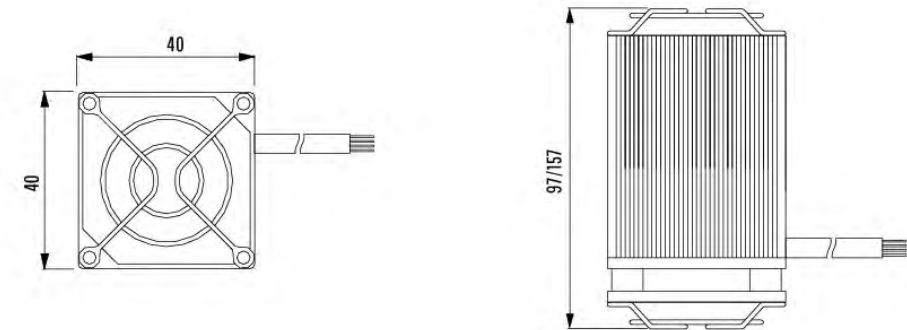
Performance

- Compact design
- Clip fixing
- Long service life
- Maintenance free

Compact fan heater prevents formation of condensation. The integrated high performance axial fan provides forced air circulation and so guarantees an even temperature in enclosure.



Dimensions



Type number		KHL120075.0-00	KHL120100.0-00	KHL120150.0-00	KHL120230.0-00	KHL120300.0-00
Heating Capacity*	W	75	100	150	230	300
Power supply	V/Hz	110-250V AC/DC-Fan 24V AC/DC				
Max. current	A	4	4	6	6	8
Heating element type	-	PTC resistor, self regulating				
Radiator	-	Extruded aluminium profile, anodized				
Axial fan	-	Ball bearing, service life 50.000 h at 25 °C (77°F) Fair flow rate 11m³/h, free flow				
		air flow rate 11m³/h, free flow				air flow rate 33m³/h, free flow
Electrical connections	-	Silicon cable, 4x0.5m³, length 400mm				
Protection class IEC	-	Class I				
Protection degree EN60529	-	IP20				
Operating temperature	°C (°F)	-20~+70 (-4~+158)				
Storage temperature	°C (°F)	-25~+70 (-13~+158)				
Mounting	-	Clip for mounting on DIN rail 35mm EN50022				
Installation position	-	Best performance in vertical installation				
Dimensions (H/W/D)	mm	97x40x40	97x40x40	132x40x40	142x40x40	157x40x40
Cable length	mm	400	400	400	400	400
Weight (with packaging)	kg	0.20(0.21)	0.20(0.21)	0.26(0.28)	0.28(0.30)	0.40(0.42)
Approvals	-	CE				

*at 20 °C (68°F) ambient temperature

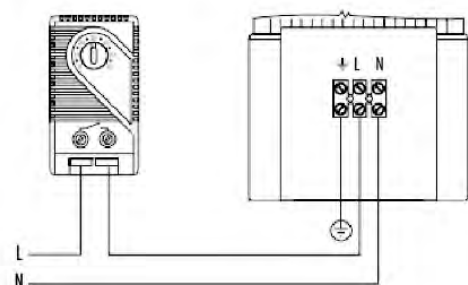


KHP 300(B)

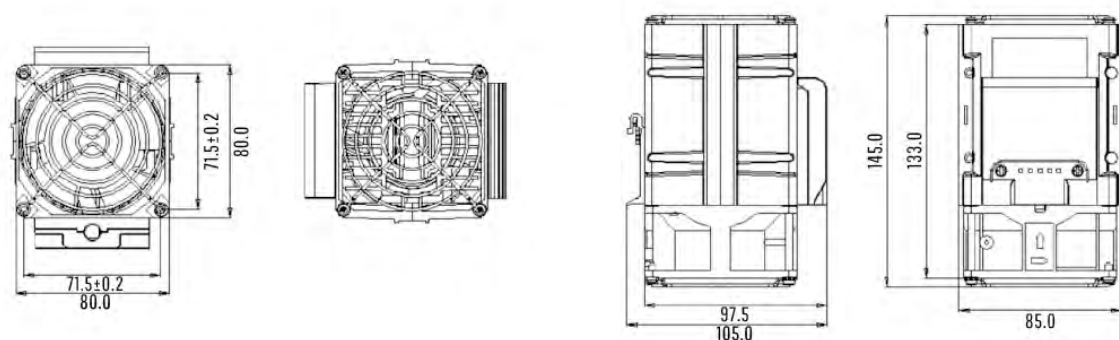
Performance

- Compact Design
- Clip fixing
- Temperature safety cut-out
- Long service life
- Maintenance free

Connection diagrams



Dimensions



Model No.	KHP300 With Fan	
Heating element	PTC	
Input voltage, frequency, power	AC 230V, 50/60HZ, 300-350W	
Insulating property	2000V/0.5mA/5s	
Surface Temperature	60°C (at 30°C ambient temperature)	
Axial fan, ball bearing	Airflow: AC: 24m³/h (50Hz) or 31m³/h (60Hz)	
RPM	2400	
Heater body	Aluminium alloy castings+PPS profile	
Cooling method	Natural cooling	
Connection Casing	Plastic according to UL94V-0, black	
Mounting	Clip for 35mm DIN rail, EN50022	
Fitting position	Vertical	
Operating/Storage temperature	-45 - +70°C (-49 - +158°F)	
Protection type/Protection class	IP20/I(earthed)	
Mean life	50,000h at 25°C (77°F)	
Model No.	Rated operating voltage, frequency	Heating capacity
30005.0-00	230V AC, 50/60Hz	300W

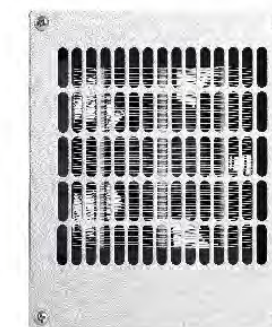


KH150-650/800-1500

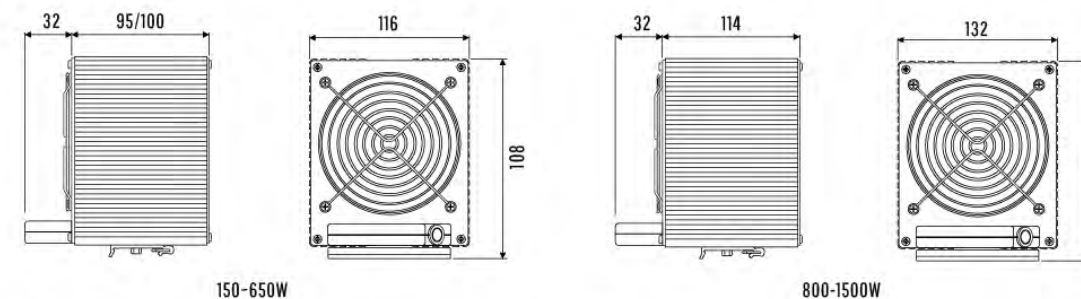
Performance

- Compact Design
- Long service life
- Clip fixing
- Maintenance free
- Temperature safety cut-out

Compact fan heater prevents formation of condensation. The integrated high performance axial fan provides forced air circulation and so guarantees an even temperature in enclosure.



Dimensions



Heating element	PTC
Temperature safety cut-out	to protect against overheating in case of fan failure
Heater body	anodised extruded aluminium profile
Axial fan, ball bearing	Airflow, free flow, Air volume: 35m³/h, DC: 54m³/h, service life 50,000h at 25°C (77°F)
Connection	5-pole screw connector 2.5mm²
Mounting	clip for 35mm DIN rail, EN 50022
Fitting position	vertical
Operating temperature	-25 - +70°C (-13 - +158°F)
Storage temperature	-25 - +70°C (-13 - +158°F)
Protection class	IP20 / I (earthed)

Model No.	Model No.	Heating capacity	Dimensions	Weight
230vac, 50/60Hz	115VAC, 50/60Hz			
150.0-00	150.9-00	150W	108x116x127mm	0.6kg
200.0-00	200.9-00	200W	108x116x127mm	0.6kg
250.0-00	250.9-00	250W	108x116x127mm	0.6kg
300.0-00	300.9-00	300W	108x116x127mm	0.6kg
400.0-00	400.9-00	400W	108x116x127mm	0.6kg
650.0-00	650.9-00	650W	108x116x132mm	1.1kg
800.0-00	800.9-00	800W	168*132*146mm	1.5kg
1000.0-00	1000.9-00	1000W	168*132*146mm	1.5kg
1200.0-00	1200.9-00	1200W	168*132*146mm	1.5kg
1500.0-00	1500.9-00	1500W	168*132*146mm	1.5kg

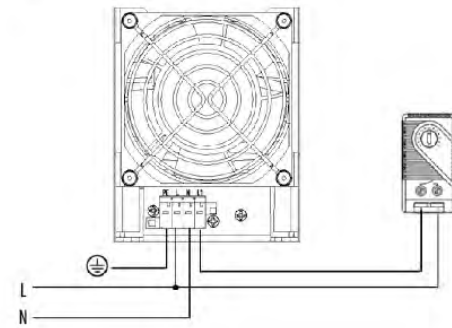


LKHB300

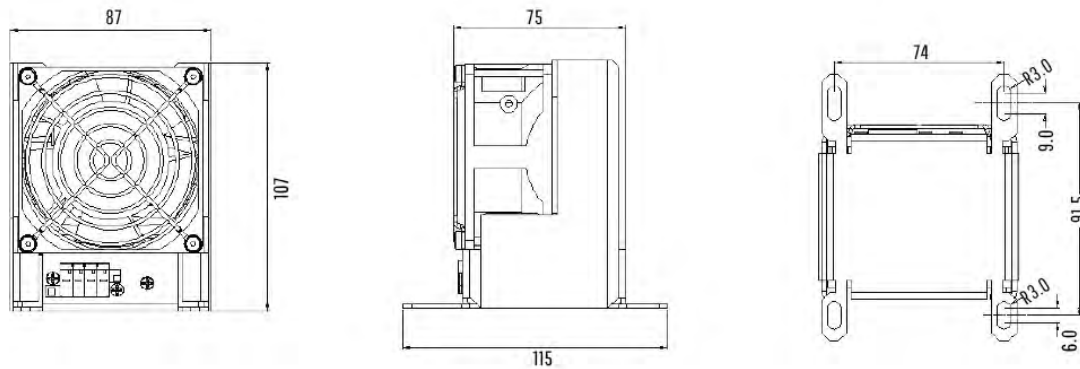
Performance

The product is composed of high-quality nickel-chromium alloy heat pipe, die-casting aluminum structure heat sink, high-performance axial fan, and temperature control switch. The electric heat pipe is placed in the center of the radiator body. The temperature control switch is near the electric heat pipe and hidden in the radiator body. The axial flow fan is close to the loose body.

Connection diagrams



Dimensions



LKHB 300	With fan
Heating element	High performance core
Input voltage, frequency, power	AC 230V, 50/60HZ, 300W
Insulating property	2000V/0.5mA/5s
Temperature safety cut-out	to protect against overheating in case of fan failure
heating body	Die-cast aluminium(glass bead blasted)
speed	2700Rpm
Mounting	Use M6 screws for fixation
connection type	Plug terminal connection
Connect terminal press line range	Single Line: 0.08-4.0mm ² (AWG 28-12)
Fitting position	Vertical
Operating/storage temperature	-40 - +70°C (-49 - +158°F)
Protection class	IP20/1 (earthed)
Mean life	50,000h at 25°C(77°F)
Cooling mode	Automatic cooling

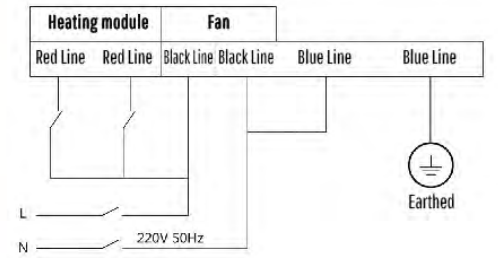


LKB 2000/2800

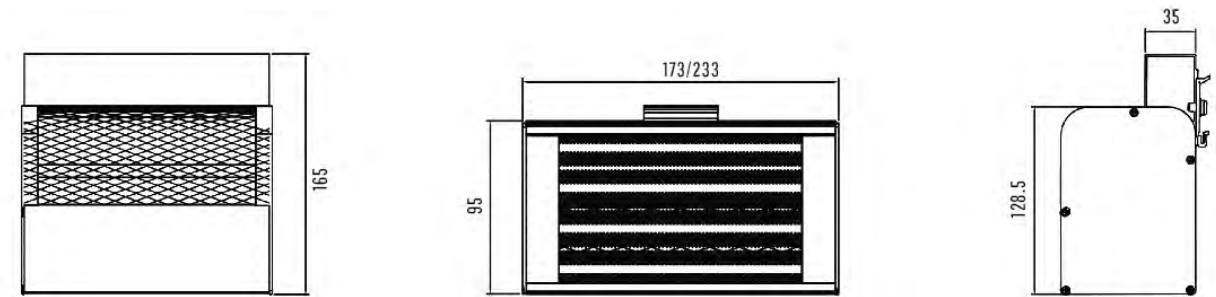
Performance

- High power, high efficiency heating.
- Thickened aluminum body for a stronger.
- Temperature safe disconnect function
- Ceramic PTC heating element.
- Quick installation, guide rail mounting.
- Protection degree: IP20
- Product color: silver

Connection diagrams



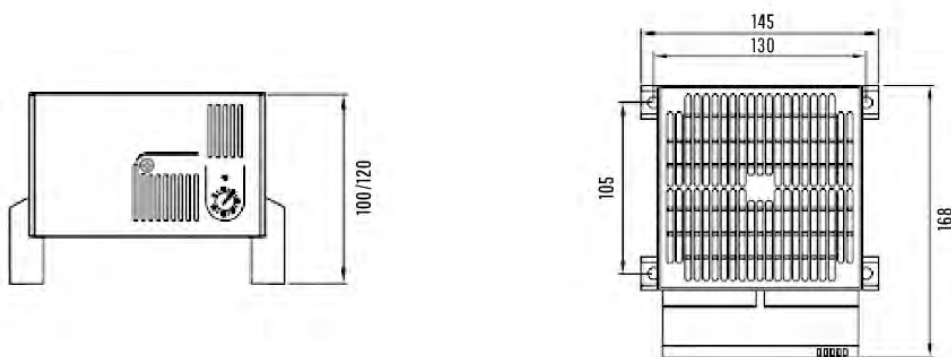
Dimensions



Model	LKB-2000W	LKB-2800W
Voltage (V)	120-240	120-240
Frequency (Hz)	50/60	50/60
Power (W)	2000	2800
Air flow (m3/h)	240	330
Noise (dB)	30	30
Size (mm)	175x95x165	233x95x165
Weight (KG)	1.4	1.8
Temperature range (°C)	-45~+85	-45~+85



Dimensions



Heating element	high performance cartridge	high performance cartridge
Temperature safety cut-out	to protect against overheating in case of fan failure automatic reset	to protect against overheating in case of fan failure automatic reset
Heater body	extruded alumin profile	extruded alumin profile
Axial fan, ball bearing	airflow 160 m3/h, free flow	airflow 160 m3/h, free flow
Connection	2-pole max. 2.5mm ² , clamping screw with strain relief torque 0.8Nm max.	2-pole max. 2.5mm ² , clamping screw with strain relief torque 0.8Nm max.
Casing	plastic according to UL94 V-0,black	plastic according to UL94 V-0,black
Mounting	screw fixing (M5)	screw fixing (M5)
Fitting position	horizontal	horizontal
Dimensions	168×145×100mm	168×145×100mm
Weight	approx. 1.40kg	approx. 1.20kg
Operating/storage temperature	-45 - +70 °C (-49 - +158 °F)	-45 - +70 °C (-49 - +158 °F)
Protection type/Production class	IP20 / II (double insulated)	IP20 / II (double insulated)

Note: other heating capacities from 200W up available on request * Operating temperture of heater with integrated hygrostat: 0 to +60 °C (+32 to 140 °F)

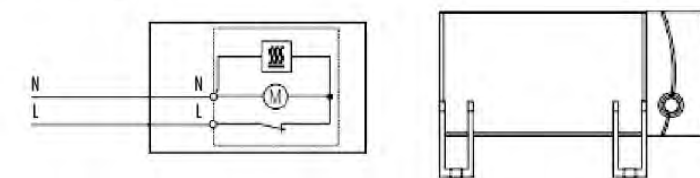
KCRO30/KCS030

Performance

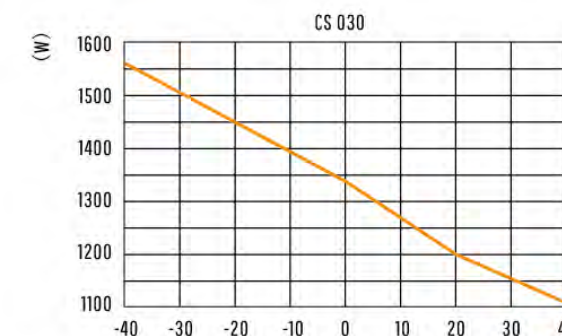
- Compact design
- Integrated thermostat or hygrostat
- Double insulated

The compact high performance fan heater prevents formation of condensation and provides an evenly distributed interior air temperature in enclosures with electric/electronic components. The plastic enclosure provides double insulation and acts as protection against contact. The fan heater is available with integrated thermostat or pre-set hygrostat for temperature or humidity control. The CT 030 was designed as a stationary unit for the bottom of the enclosure. For wall fixing the fan heater CR 130 is recommended.

Connection diagrams



Heating Performance/Ambient Temperature



Art. No.	Model	Rated operating voltage, frequency	Heating capacity	Setting range
KCRO3047.0-00	Fan Heater with thermostat	230V AC, 50/60Hz	250W	0 - 60 °C
KCRO3047.0-02	Fan Heater with hygrostat	230V AC, 50/60Hz	250W	65% RH, factory-set
KCRO3048.0-00	Fan Heater with thermostat	230V AC, 50/60Hz	400W	0 - 60 °C
KCRO3048.0-02	Fan Heater with hygrostat	230V AC, 50/60Hz	400W	65% RH, factory-set
KCRO3049.0-00	Fan Heater with thermostat	230V AC, 50/60Hz	600W	0 - 60 °C
KCRO3049.0-02	Fan Heater with hygrostat	230V AC, 50/60Hz	600W	65% RH, factory-set
KCRO3050.0-00	Fan Heater with thermostat	230V AC, 50/60Hz	800W	0 - 60 °C
KCRO3050.0-02	Fan Heater with hygrostat	230V AC, 50/60Hz	800W	65% RH, factory-set
KCRO3051.0-00	Fan Heater with thermostat	230V AC, 50/60Hz	900W	0 - 60 °C
KCRO3051.0-02	Fan Heater with hygrostat	230V AC, 50/60Hz	900W	65% RH, factory-set
KCRO3052.0-00	Fan Heater with thermostat	230V AC, 50/60Hz	1000W	0 - 60 °C
KCRO3052.0-02	Fan Heater with hygrostat	230V AC, 50/60Hz	1000W	65% RH, factory-set

* according to UL 499 in combination with UL 508A

Art. No.	Model	Rated operating voltage, frequency	Heating capacity	Inrush current max.	Setting range
KCS03060.0-00	Fan Heater with thermostat	230V AC, 50/60Hz	1200W	13A	0 - +60 °C
KCS03060.0-01	Fan Heater without thermostat	230V AC, 50/60Hz	1200W	13A	-
KCS03060.9-00	Fan Heater with thermostat	120V AC, 50/60Hz	1200W	16A	+30 - +140°
KCS03060.9-01	Fan Heater without thermostat	120V AC, 50/60Hz	1200W	16A	-



DA 084

Performance

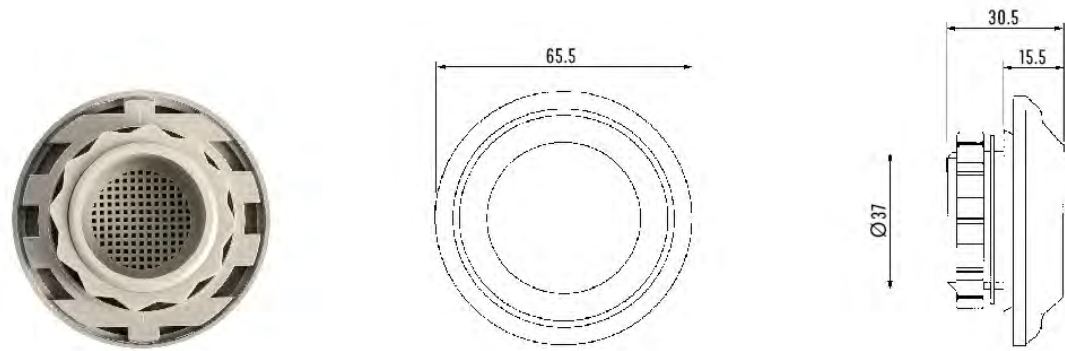
- High degree of protection
- Easy to install

It has become more and more important to provide a protected enclosure environment for valuable and crucial electrical and electronic components. In a tightly closed enclosure, pressure differentials can occur during extreme temperature variations. The specially designed pressure compensation device DA 084 permits a controlled change in pressure and avoids the entering of dust and water. The pressure compensation device is suitable for the use in enclosures and housings in accordance with DIN EN 62208.

Installation

Make cut-out Ø37-1mm in enclosure wall and mount pressure compensation device with nut. Please make sure that the sealing gasket is put in place on the outer side panel of the enclosure. For optimal pressure compensation we recommend to use two devices on opposite sides towards the top of the enclosure. Installation

Dimensions



Mounting	PG 29 thread with union nut
Material	plastic according to UL94 V-0
Air interface	approx. 7cm ²
Dimensions	Ø 65.5x30.5mm
Fitting position	Vertical installation
Operating / Storage temperature	-45 - +70°C (-49 - +158°F)

Art. No.	Protection type	1 packing unit	Weight (approx.)
08400.0-04	IP55	2	62g (31g/piece)



DA 284

Performance

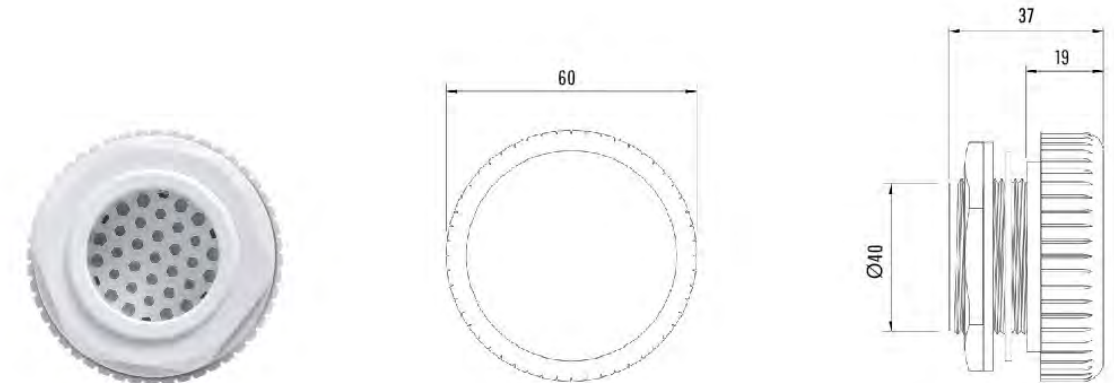
- High degree of protection
- Waterproof membrane
- Easy to install

Pressure differentials in enclosures with a high degree of protection are a result of internal and external temperature changes. In the case of negative pressure or partial vacuum, dust and humidity can enter the enclosure through the door seal. When the air inside the enclosure cools down, condensation may occur because the humidity cannot escape the enclosure. The easy-to-install pressure compensation device DA 284 provides compensation of pressure at a protection degree of IP66. Even with a slight overpressure, a waterproof membrane inside the plug allows the humidity to escape whilst blocking water and dirt from entering the enclosure.

Installation

Make cut-out Ø 40.5+0,5mm in enclosure wall and mount pressure compensation device with nut. Please make sure that the sealing gasket is put in place on the outer side panel of the enclosure. For optimal pressure compensation we recommend to use two devices on opposite sides towards the top of the enclosure.

Dimensions



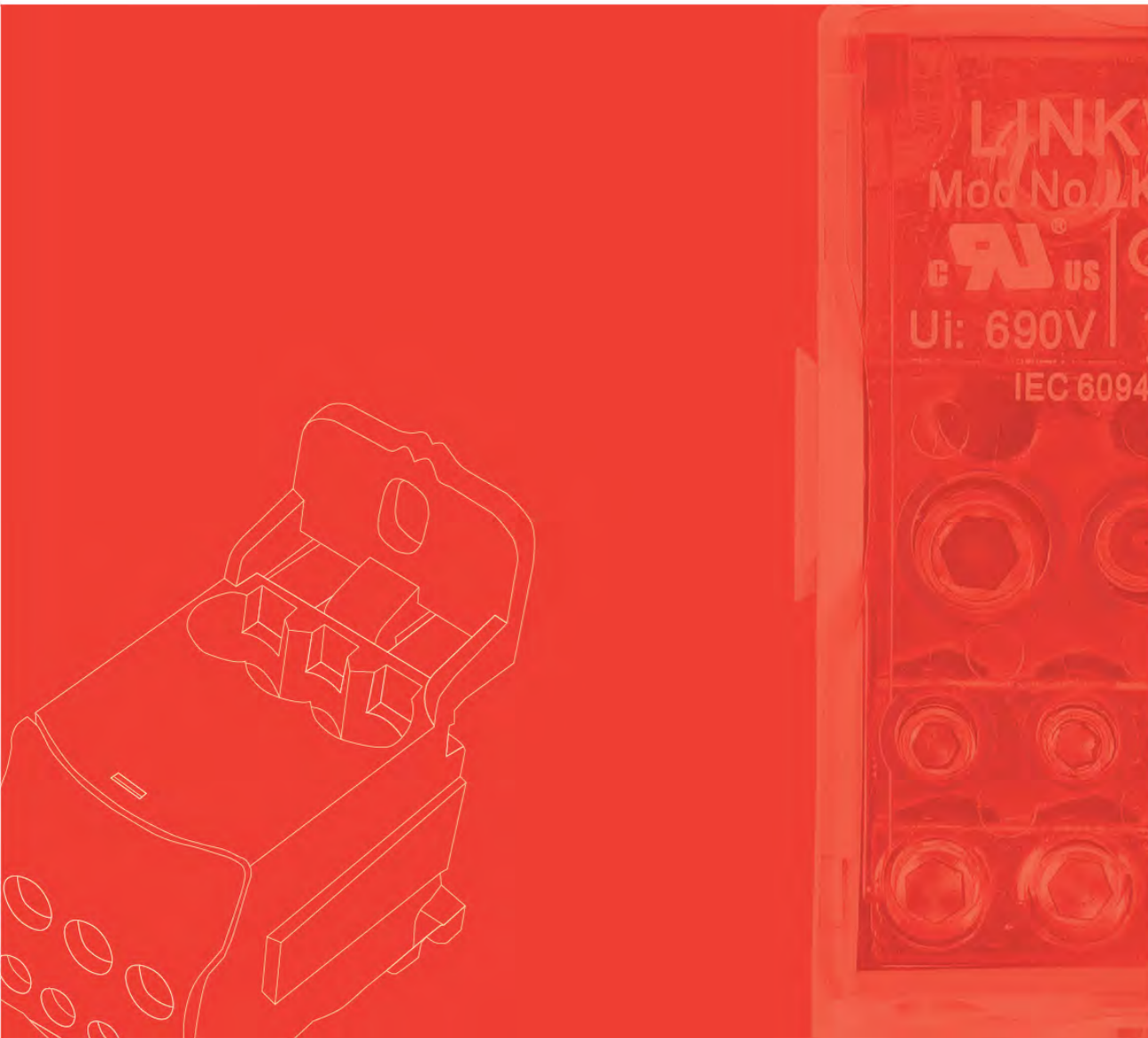
Mounting	thread M40 x 1.5 with nut
Torque	5Nm (max. 10Nm)
Depth in enclosure	approx. 16mm
Sealing	sealing gasket NBR
Filter	waterproof membrane
Air permeability	1200 l/h at a pressure difference of min. 70mbar
Dimensions	Ø 60 x 37mm
Fitting position	variable
Operating/Storage temperature	-35 - +70°C (-31 - +158°F)

Art. No.	Protection type	1 packing unit	Weight (approx.)
28400.0-00	IP66	2	90g (45g/piece)

Terminal connection

Terminal connection system expert

LINKWELL is the system supplier, with energy-saving, environmental protection, efficient product performance, to meet the requirements of terminal connection system.



LK80A Distribution terminal blocks



UL CE RoHS

LK80A

80A IEC 60947-7-1 85 Amp UL/CSA

Modular:

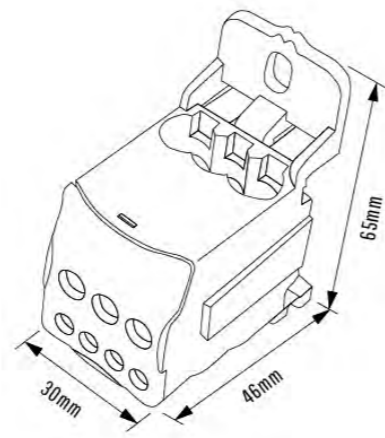
Keeping only one input, the blocks can be connected in parallel using a jumper wire. Easily double or triple the neutral.

Performance

- Space saving: compact
- Tinned copper block: high conductivity
- IP 20 protection/UL finger-safe: improved safety
- Cable fixing screw diameters >95% fill ratio: excellent electrical contact, safe connections
- Visual inspection of wire: confirmation of connection
- Hinged or removable cover: easy wiring
- Clip-on DIN rail or mount to panel with screws: easy fixing

Installation diagram

Installation Hole: 54mm



- I=80 A IEC
- I=85 A UL/CSA
- I_{cw} KA rms Is: 3
- I_{Pk} KA: 22
- U_i: 690V IEC
- V_{in}: 600 V UL

Metric system	** Or common jumper wire.	mm ²	mm ²	I(N.m)
		6...16	x1	3.5
		2.5...6	x4	1.8
		2.5...16	x2	3.5
U.S. Regulations				
		AWG 16...4	x1	17.5
		AWG 16...8	x4	10.6
		AWG 16...4	x2	17.5



LK125A Distribution terminal blocks



UL CE RoHS

LK125A

125A IEC 60947-7-1 150 Amp UL/CSA

Modular:

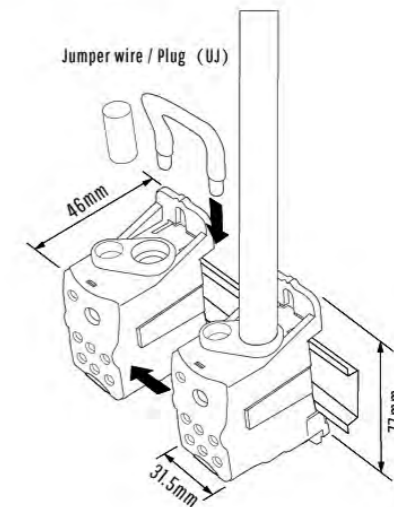
Keeping only one input, the blocks can be connected in parallel using a jumper wire. Easily double or triple the neutral.

Performance

- Space saving: compact
- Tinned copper block: high conductivity
- IP 20 protection/UL finger-safe: improved safety
- Cable fixing screw diameters >95% fill ratio: excellent electrical contact, safe connections
- Visual inspection of wire: confirmation of connection
- Hinged or removable cover: easy wiring
- Clip-on DIN rail or mount to panel with screws: easy fixing

Installation diagram

Installation Hole: 64mm



- I=125 A IEC
- I=150 A UL/CSA
- I_{cw} KA rms Is: 4.2
- I_{Pk} KA: 30
- U_i: 690V IEC
- V_{in}: 600 V UL

Metric system	** Or common jumper wire.	mm ²	mm ²	I(N.m)
		10...35	x1	8.5
		6...16**	x1	3.5
		2.5...16	x6	3.5
U.S. Regulations				
		AWG 8...1/0	x1	35
		AWG 14...4	x1	17.5
		AWG 14...4	x6	17.5



UL CE RoHS



LK160A

160A IEC 60947-7-1 200 Amp UL/CSA

Modular:

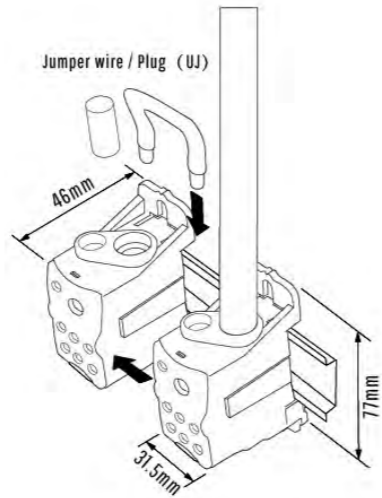
Keeping only one input, the blocks can be connected in parallel using a jumper wire. Easily double or triple the neutral.

Performance

- Space saving: compact
- Tinned copper block: high conductivity
- IP 20 protection/UL finger-safe: improved safety
- Cable fixing screw diameters >95% fill ratio: excellent electrical contact, safe connections
- Visual inspection of wire: confirmation of connection
- Hinged or removable cover: easy wiring
- Clip-on DIN rail or mount to panel with screws: easy fixing

Installation diagram

Installation Hole: 64mm



- I=160 A IEC
- I=200 A UL/CSA
- Icw KA rms Is: 11.8
- IPk KA: 30
- Ui: 690V IEC
- Vin: 600 V UL

Metric system	** Or common jumper wire.	mm ²			I(N.m)
		10...70	x1		8.5
		6...16**	x1		3.5
		2.5...16	x6		3.5
U.S. Regulations		AWG			Torque
		8...3/0	x1		56
		14...4	x1		17.5
		14...4	x6		17.5



UL CE RoHS



LK250A

250A IEC 60947-7-1 255 Amp UL/CSA

Modular:

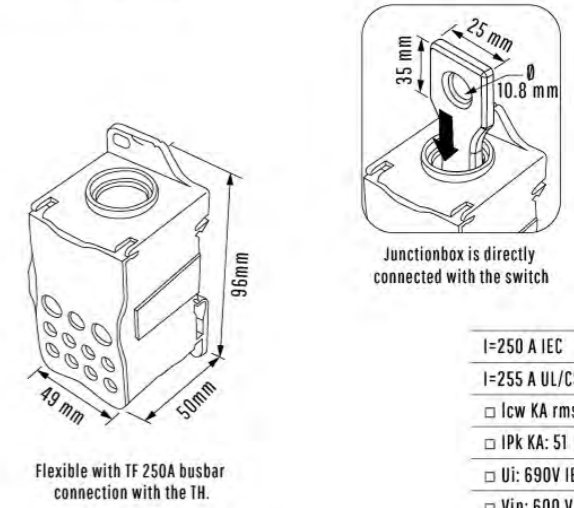
allows versatile building of power blocks single pole, two pole, three pole or four pole.

Performance

- Space saving: compact
- Tinned copper block: high conductivity
- IP 20 protection/UL finger-safe: improved safety
- Cable fixing screw diameters >95% fill ratio: excellent electrical contact, safe connections
- Visual inspection of wire: confirmation of connection
- Hinged or removable cover: easy wiring
- Clip-on DIN rail or mount to panel with screws: easy fixing

Installation diagram

Installation Hole: 85x29mm



- I=250 A IEC
- I=255 A UL/CSA
- Icw KA rms Is: 24.5
- IPk KA: 51
- Ui: 690V IEC
- Vin: 600 V UL

Metric system	** Or common jumper wire.	mm ²	mm ²			I(N.m)
		35...120		x1		19.0
		6...35	6...25	x2		4.4
		2.5...16	2.5...16	x5		2.7
		2.5...10	2.5...10	x4		2.7
U.S. Regulations		AWG				Torque
		6...250 Kcmil		x1		201
		14...1		x2		35
		14...4		x5		24
		14...6		x4		17.5

LK400A Distribution terminal blocks



UL CE RoHS



LK400A

400A IEC 60947-7-1 355 Amp UL/CSA

Modular:

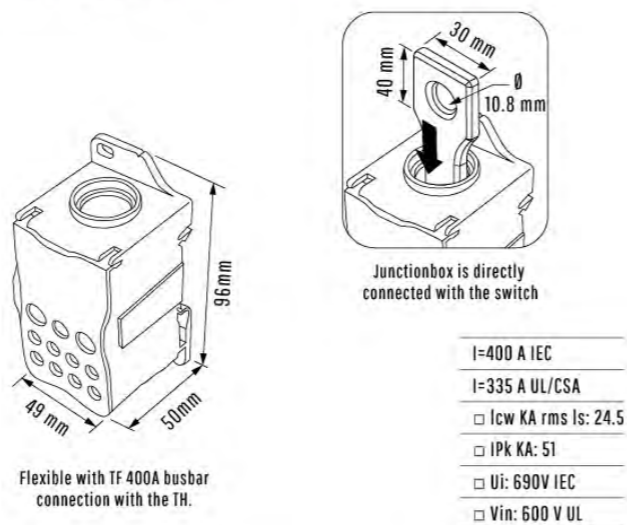
allows versatile building of power blocks single pole, two pole, three pole or four pole.

Performance

- Space saving: compact
- Tinned copper block: high conductivity
- IP 20 protection/UL finger-safe: improved safety
- Cable fixing screw diameters >95% fill ratio: excellent electrical contact, safe connections
- Visual inspection of wire: confirmation of connection
- Hinged or removable cover: easy wiring
- Clip-on DIN rail or mount to panel with screws: easy fixing

Installation diagram

Installation Hole: 85x29mm



Metric system	** Or common jumper wire.	mm ²	mm ²		I(N.m)
		95...185		x1	25.0
		6...35	6...25	x2	4.4
		2.5...16	2.5...16	x5	2.7
		2.5...10	2.5...10	x4	2.7

U.S. Regulations	AWG		Torque
	3/0...400 Kcmil	x1	221
	14...1	x2	35
	14...4	x5	24
	14...6	x4	17.5



LK500A Distribution terminal blocks



UL CE RoHS

LK500A

500A IEC 60947-7-1 520 Amp UL/CSA

Modular:

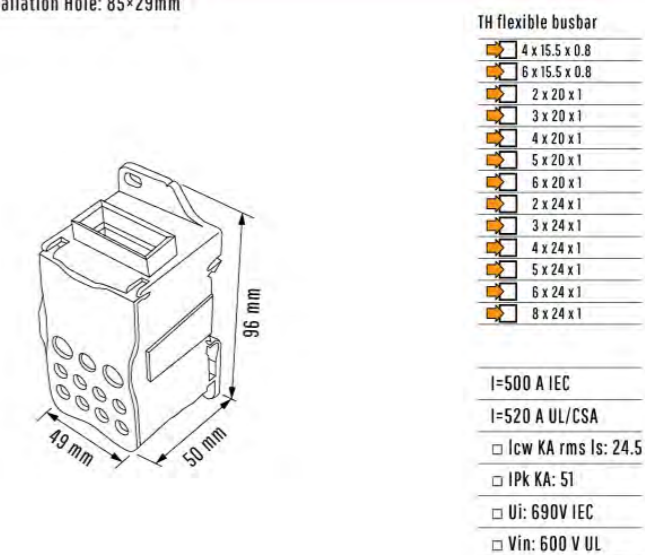
allows versatile building of power blocks single pole, two pole, three pole or four pole.

Performance

- Space saving: compact
- Tinned copper block: high conductivity
- IP 20 protection/UL finger-safe: improved safety
- Cable fixing screw diameters >95% fill ratio: excellent electrical contact, safe connections
- Visual inspection of wire: confirmation of connection
- Hinged or removable cover: easy wiring
- Clip-on DIN rail or mount to panel with screws: easy fixing

Installation diagram

Installation Hole: 85x29mm

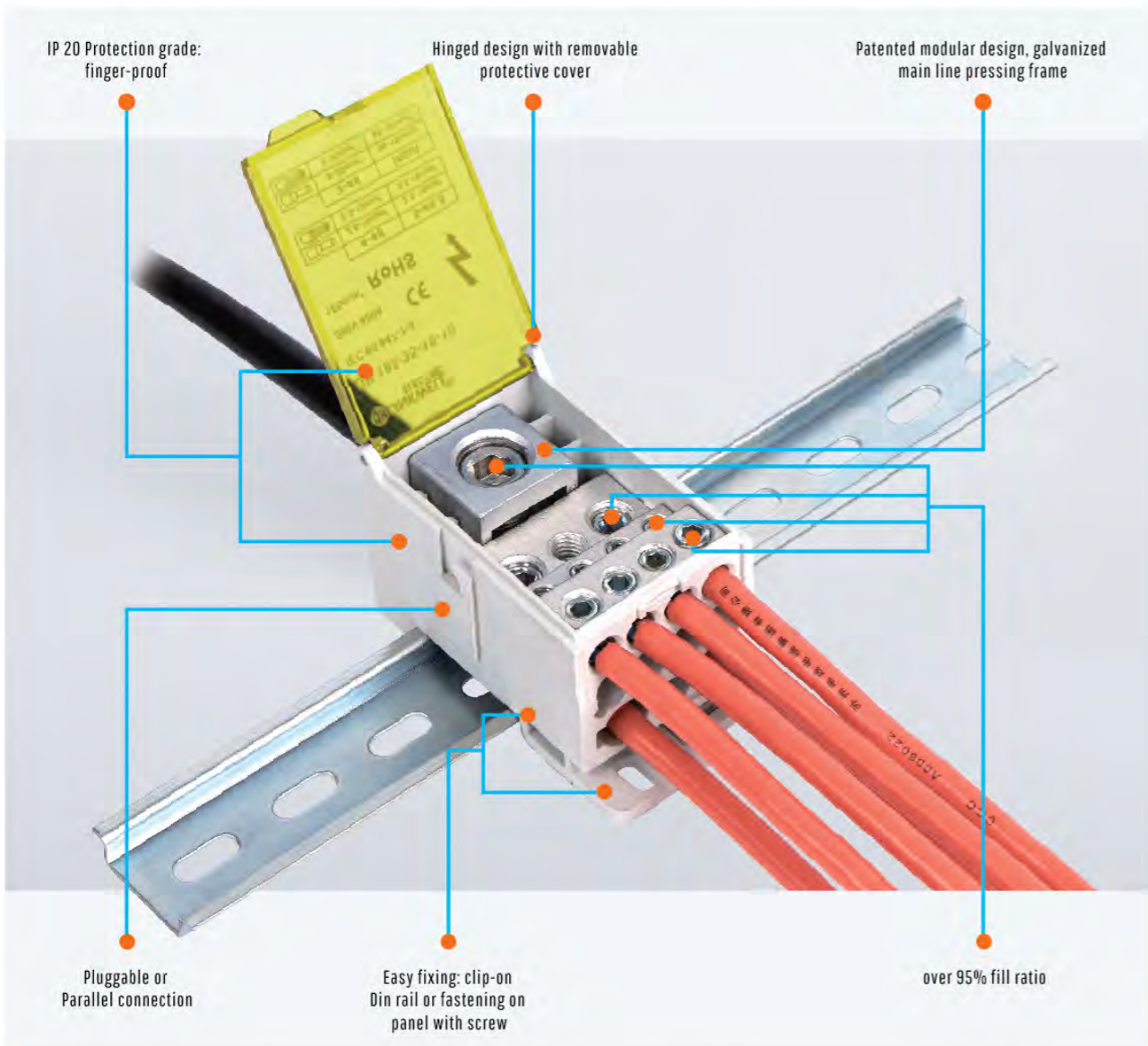


Metric system	** Or common jumper wire.	mm ²	mm ²		I(N.m)
		4x15.5x0.8...8x24x1	4x15.5x0.8...8x24x1		10.0
		6...35	6...25	x2	4.4
		2.5...16	2.5...16	x5	2.7
		2.5...10	2.5...10	x4	2.7

U.S. Regulations	AWG		Torque
	4x15.5x0.8...8x24x1		17.5
	14...1	x2	35
	14...4	x5	24
	14...6	x4	17.5

Simple and Compact DB Power distribution blocks

- Small and space-saving
- Modular architecture, enable three phase modules
- User-friendly
- IP20 protection degree
- Clip-on NS35 DIN rail, or mount to panel sheet with screw
- Short-circuit Protection
- Each module allows cable feed -through Max. 5×16mm

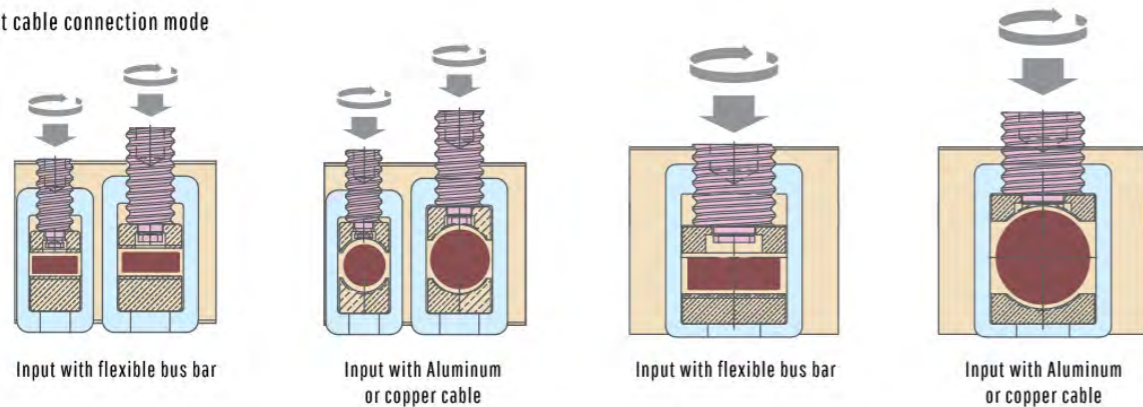


DB 16/6 3/4

CE RoHS

Technical specifications			
Max. Current(A)		80A	
Length/Thickness/Height	NS35: 7.5/ NS35:15	66x30.2x48mm	NS35: 7.5
According to the standard IEC 60 947-7-1 parameters			
Rated voltage(V)	V	690	
Rated current (A)	A	80	
Input/output cable rated cable cross-section	(mm ²)	16/16-6	
Rated impulse voltage/ The pollution grade		2.5kV/3	
UL94 Flammability class		V-0	
Peak value of short-current		22	
Short current >1 S		3	
Input	A	B	
Input cable terminal quantity		1	
"e" Single stranded solid wire H07V-U	(mm ²)	2.5..16	
"m" Multi-stranded solid wire H07V-R	(mm ²)	2.5..16	
"f" flexible busbar H07V-K	(mm ²)	2.5..16	
"f" flexible with wire-end ferrules acc. DIN46228-1 H07V-R	(mm ²)	2.5..16	
"f" flexible with wire-end ferrules acc. DIN46228-1, with plastic collars H07V-R	(mm ²)	2.5..16	
Dia.	mm	6.8	
Tightening Torque	(Nm)	1.5..3	
Compression screw type		M6	
Stripping length	(mm)	9..12	
Screwdriver blade size		SZS 1.0×6.5	
Output	A	B	
Output cable terminal quantity		3 4	
"e" Single stranded solid wire H07V-U	(mm ²)	2.5..16 2.5..6	
"m" Multi-stranded solid wire H07V-R	(mm ²)	2.5..16 2.5..6	
"f" flexible busbar H07V-K	(mm ²)	2.5..16 2.5..6	
"f" flexible with wire-end ferrules acc. DIN46228-1 H07V-R	(mm ²)	2.5..16 2.5..6	
"f" flexible with wire-end ferrules acc. DIN46228-1, with plastic collars H07V-R	(mm ²)	2.5..16 2.5..6	
Dia.	mm	6.8 4.5	
Tightening Torque	(Nm)	1.5..3 0.8..1.5	
Compression screw type		M6 M5	
Stripping length	(mm)	9..12 9..12	
Screwdriver blade size		SZS 1.0×6.5 SZS 1.0×4.0	
UL/CSA parameter			
Voltage/current/cable size		UL	
Voltage/current/cable size		CSA	
Product Description			
W/ Aluminum or copper cable input	Color	Model No.	Packing Code No.
	PA WH	DB16/6 3/4	1 8601001
		DB16/6 3/4	1 8601002
W/ Flexible busbar input	PA GY		
Attachment			
	Screw driver	Model No.	Code No.
	Slotted	SZS 1.0×4.0	8601011
	Slotted	SZS 1.0×6.5	8601012
	Inner Hexagonal spanner 7 pcs set	SK-S 3.0-8.0	

Input cable connection mode





DB 35-16/16 1-1/8

CE RoHS

Technical specifications				
Max. Current(A)		125A		
Length/Thickness/Height	NS35: 7.5/ NS35: 15	75x40x50mm	NS35: 7.5	
According to the standard IEC 60 947-7-1 parameters				
Rated voltage(V)	V	690		
Rated current (A)	A	125		
Input/output cable rated cable cross-section	(mm ²)	35-16/16		
Rated impulse voltage/ The pollution grade		2.5kV/3		
UL94 Flammability class		V-0		
Peak value of short-current		30		
Short current >1 S		4.2		
Input		A	B C	
Input cable terminal quantity		1	1	
"e"Single stranded solid wire H07V-U	(mm ²)	10...35	6...16	
"m"Multi-stranded solid wire H07V-R	(mm ²)	10...35	6...16	
"f"flexible busbar H07V-K	(mm ²)	10...35	6...16	
"f"flexible with wire-end ferrules acc. DIN46228-1 H07V-R	(mm ²)	10...35	6...16	
"f"flexible with wire-end ferrules acc. DIN46228-1, with plastic collars H07V-R	(mm ²)	10...35	6...16	
Dia.	mm	10	6.8	
Tightening Torque	(Nm)	3.5-5	1.5-3	
Compression screw type		M8	M6	
Stripping length	(mm)	14-15	9-12	
Screwdriver blade size		SK-S 4.0	SK-S 3.0	
Output		A		
Output cable terminal quantity		8		
"e"Single stranded solid wire H07V-U	(mm ²)	2.5...16		
"m"Multi-stranded solid wire H07V-R	(mm ²)	2.5...16		
"f"flexible busbar H07V-K	(mm ²)	2.5...16		
"f"flexible with wire-end ferrules acc. DIN46228-1 H07V-R	(mm ²)	2.5...16		
"f"flexible with wire-end ferrules acc. DIN46228-1, with plastic collars H07V-R	(mm ²)	2.5...16		
Dia.	mm	6.8		
Tightening Torque	(Nm)	1.5...3		
Compression screw type		M6		
Stripping length	(mm)	10...12		
Screwdriver blade size		SK-S 3.0		
UL/CSA parameter				
Voltage/current/cable size	UL			
Voltage/current/cable size	CSA			
Product Description	Color	Model No.	Packing	Code No.
W/Aluminum or copper cable input	PA WH	DB 35-16/16 1-1/8	1	8602001
		DB 35-16/16 1-1/8	1	8602002
W/ Flexible busbar input	PA GY	DB 35-16/16 1-1/8	1	8602003
		DB 35-16/16 1-1/8	1	8602004
Attachment	Screw driver	Model No.	Code No.	
	Slotted			
	Slotted	SK-S 3.0	8601021	
	Inner Hexagonal spanner 7 pcs set	SK-S 4.0	8601022	



DB 70-16/16 1-1/8

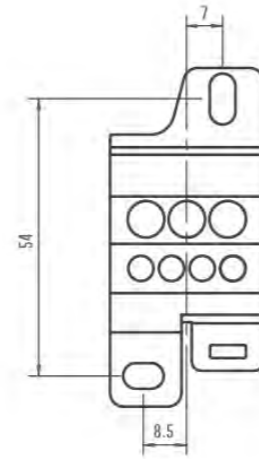
CE RoHS

Technical specifications				
Max. Current(A)		175A		
Length/Thickness/Height	NS35: 7.5/ NS35: 15	75x40x50mm	NS35: 7.5	
According to the standard IEC 60 947-7-1 parameters				
Rated voltage(V)	V	690		
Rated current (A)	A	175		
Input/output cable rated cable cross-section	(mm ²)	70-16/16		
Rated impulse voltage/ The pollution grade		2.5kV/3		
UL94 Flammability class		V-0		
Peak value of short-current		30		
Short current >1 S		11.8		
Input		A	B	
Input cable terminal quantity		1	1	
"e"Single stranded solid wire H07V-U	(mm ²)	16...70	6...16	
"m"Multi-stranded solid wire H07V-R	(mm ²)	16...70	6...16	
"f"flexible busbar H07V-K	(mm ²)	16...70	6...16	
"f"flexible with wire-end ferrules acc. DIN46228-1 H07V-R	(mm ²)	16...70	6...16	
"f"flexible with wire-end ferrules acc. DIN46228-1, with plastic collars H07V-R	(mm ²)	16...70	6...16	
Dia.	mm	12	6.8	
Tightening Torque	(Nm)	5	1.5-3	
Compression screw type		M10	M6	
Stripping length	(mm)	15-16	9-12	
Screwdriver blade size		SK-S 5.0	SK-S 3.0	
Output		A		
Output cable terminal quantity		10		
"e"Single stranded solid wire H07V-U	(mm ²)	2.5...16		
"m"Multi-stranded solid wire H07V-R	(mm ²)	2.5...16		
"f"flexible busbar H07V-K	(mm ²)	2.5...16		
"f"flexible with wire-end ferrules acc. DIN46228-1 H07V-R	(mm ²)	2.5...16		
"f"flexible with wire-end ferrules acc. DIN46228-1, with plastic collars H07V-R	(mm ²)	2.5...16		
Dia.	mm	6.8		
Tightening Torque	(Nm)	1.5...3		
Compression screw type		M6		
Stripping length	(mm)	10...12		
Screwdriver blade size		SK-S 3.0		
UL/CSA parameter				
Voltage/current/cable size	UL			
Voltage/current/cable size	CSA			
Product Description	Color	Model No.	Packing	Code No.
W/Aluminum or copper cable input	PA WH	DB 70-16/16 1-1/8	1	8603001
		DB 70-16/16 1-1/8	1	8603002
W/ Flexible busbar input	PA GY	DB 70-16/16 1-1/8	1	8603003
		DB 70-16/16 1-1/8	1	8603004
Attachment	Screw driver	Model No.	Code No.	
	Slotted			
	Slotted	SK-S 3.0	8601021	
	Inner Hexagonal spanner 7 pcs set	SK-S 5.0	8601023	

Dimensions

DB 16/6 3/4

Metric	mm ²	Φ	N.m
	2.5...16	×1	6.8
	2.5...6	×4	4.5
	2.5...16	×2	6.8



DB 35-16/6 1-1/8

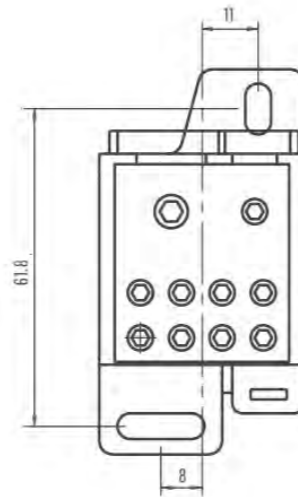
W/Aluminum or copper cable input

Metric	mm ²	Φ	N.m
	10...35	×1	6.8
	6...16	×1	6.8
	2.5...16	×8	6.8

W/ Flexible bus bar input

W/ Flexible bus bar input end			
9×3×0.8 - 9×6×0.8			

Metric	mm ²	Φ	N.m
	10...35	×1	6.8
	6...16	×1	6.8
	2.5...16	×8	6.8



DB 70-16/6 1-1/8

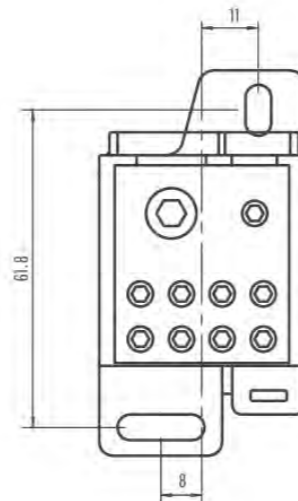
W/Aluminum or copper cable input

Metric	mm ²	Φ	N.m
	16...70	×1	6.8
	6...16	×1	6.8
	2.5...16	×8	6.8

W/ Flexible bus bar input

W/ Flexible bus bar input end			
13×3×0.5 - 13×6×0.5			

Metric	mm ²	Φ	N.m
	16...70	×1	6.8
	6...16	×1	6.8
	2.5...16	×8	6.8



DB 120/35-16-10 1/2-5-4

CE RoHS

Technical specifications

Max. Current(A)	250A		
Length/Thickness/Height	NS35: 7.5/ NS35: 15	96x46.8x51.5mm	NS35: 7.5
According to the standard IEC 60 947-7-1 parameters			
Rated voltage(V)	V	690	
Rated current (A)	A	250	
Input/output cable rated cable cross-section	(mm ²)	120/35-16-10	
Rated impulse voltage/ The pollution grade	2.5kV/3		
UL94 Flammability class	V-0		
Peak value of short-current	51		
Short current >1 S	24.5		
Input	A		
Input cable terminal quantity	1		
"e" Single stranded solid wire H07V-U	(mm ²)	35...120	
"m" Multi-stranded solid wire H07V-R	(mm ²)	35...120	
"f" flexible busbar H07V-K	(mm ²)	35...120	
"f" flexible with wire-end ferrules acc. DIN46228-1 H07V-R	(mm ²)	35...120	
"f" flexible with wire-end ferrules acc. DIN46228-1, with plastic collars H07V-R	(mm ²)	35...120	
Dia.	mm	15	
Tightening Torque	(Nm)	19	
Compression screw type	M12		
Stripping length	(mm)	27...29	
Screwdriver blade size	SK-S 6.0		
Output	A	B	C
Output cable terminal quantity	2	5	4
"e" Single stranded solid wire H07V-U	(mm ²)	2.5...35	2.5...10
"m" Multi-stranded solid wire H07V-R	(mm ²)	2.5...35	2.5...10
"f" flexible busbar H07V-K	(mm ²)	2.5...35	2.5...10
"f" flexible with wire-end ferrules acc. DIN46228-1 H07V-R	(mm ²)	2.5...35	2.5...10
"f" flexible with wire-end ferrules acc. DIN46228-1, with plastic collars H07V-R	(mm ²)	2.5...35	2.5...10
Dia.	mm	9	6.1
Tightening Torque	(Nm)	3.5	2
Compression screw type	M10		M5
Stripping length	(mm)	10...12	10...12
Screwdriver blade size	SK-S 5.0	SK-S 4.0	SK-S 3.0
UL/CSA parameter			
Voltage/current/cable size	UL		
Voltage/current/cable size	CSA		
Product Description	Color	Model No.	Packing
W/Aluminum or copper cable input	PA WH	DB 120/35-16-10 1/2-5-4	1
W/ Flexible busbar input	PA GY	DB 120/35-16-10 1/2-5-4	1
Attachment	Screw driver	Model No.	Code No.
		SK-S 3.0	8601021
	Inner hexagonal spanner 6 pcs set	SK-S 4.0	8601022
		SK-S 5.0	8601023
		SK-S 6.0	8601024



DB 185/35-16-10 1/2-5-4

CE RoHS

Technical specifications			
Max. Current(A)	400A		
Length/Thickness/Height	NS35: 7.5/ NS35: 15		
According to the standard IEC 60 947-7-1 parameters			
Rated voltage(V)	V	690	
Rated current (A)	A	400	
Input/output cable rated cable cross-section	(mm ²)	185/35-16-10	
Rated impulse voltage/ The pollution grade	2.5kV/3		
UL94 Flammability class	V-0		
Peak value of short-current	51		
Short current >1 S	24.5		
Input	A		
Input cable terminal quantity	1		
*e*Single stranded solid wire H07V-U	(mm ²)	95...185	
*m*Multi-stranded solid wire H07V-R	(mm ²)	95...185	
*f*flexible busbar H07V-K	(mm ²)	95...185	
*f*flexible with wire-end ferrules acc. DIN46228-1 H07V-R	(mm ²)	95...185	
*f*flexible with wire-end ferrules acc. DIN46228-1, with plastic collars H07V-R	(mm ²)	95...185	
Dia.	mm	19	
Tightening Torque	(Nm)	25	
Compression screw type	M16		
Stripping length	(mm)	27...29	
Screwdriver blade size	SK-S 8.0		
Output	A	B	C
Output cable terminal quantity	2	5	4
*e*Single stranded solid wire H07V-U	(mm ²)	2.5...35	2.5...10
*m*Multi-stranded solid wire H07V-R	(mm ²)	2.5...35	2.5...10
*f*flexible busbar H07V-K	(mm ²)	2.5...35	2.5...10
*f*flexible with wire-end ferrules acc. DIN46228-1 H07V-R	(mm ²)	2.5...35	2.5...10
*f*flexible with wire-end ferrules acc. DIN46228-1, with plastic collars H07V-R	(mm ²)	2.5...35	2.5...10
Dia.	mm	9	6.1
Tightening Torque	(Nm)	3.5	2
Compression screw type	M10 M6 M5		
Stripping length	(mm)	10...12	10...12
Screwdriver blade size	SK-S 5.0	SK-S 4.0	SK-S 3.0
UL/CSA parameter			
Voltage/current/cable size	UL		
Voltage/current/cable size	CSA		
Product Description	Color	Model No.	Packing
W/Aluminum or copper cable input	PA WH	DB 185/35-16-10 1/2-5-4	1
		DB 185/35-16-10 1/2-5-4	1
W/ Flexible busbar input	PA GY	DB 185/35-16-10 1/2-5-4	1
		DB 185/35-16-10 1/2-5-4	1
Attachment	Screw driver	Model No.	Code No.
Inner hexagonal spanner 6 pcs set		SK-S 3.0	8601021
		SK-S 4.0	8601022
		SK-S 5.0	8601023
		SK-S 8.0	8601025

Dimensions

DB 120/35-16-10 1/2-5-4

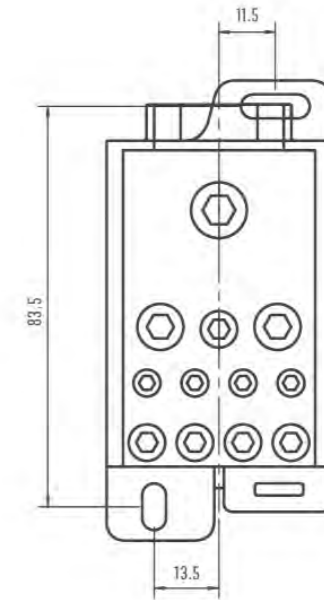
W/Aluminum or copper cable input

Metric	mm ²		Φ	N.m
	35...120	x1		19
	2.5...35	x2	9	3.5
	2.5...16	x5	6.8	2
	2.5...10	x4	6.1	2

W/ Flexible bus bar input

W/ Flexible bus bar input end	
15.5*2*0.8 - 15.5*6*0.8	

Metric	mm ²		Φ	N.m
	35...120	x1		19
	2.5...35	x2	9	3.5
	2.5...16	x5	6.8	2
	2.5...10	x4	6.1	2



DB 185/35-16-10 1/2-5-4

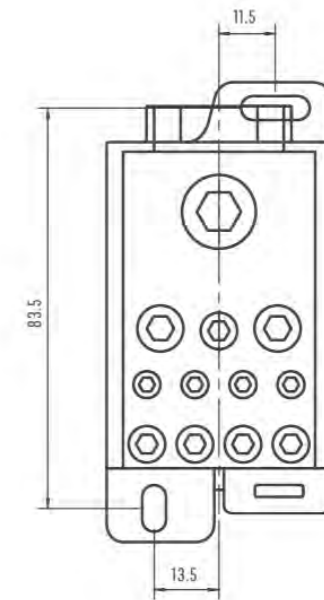
W/Aluminum or copper cable input

Metric	mm ²		Φ	N.m
	95...185	x1		25
	2.5...35	x2	9	3.5
	2.5...16	x5	6.8	2
	2.5...10	x4	6.1	2

W/ Flexible bus bar input

W/ Flexible bus bar input end	
20*2*1.0 - 20*6*1.0	

Metric	mm ²		Φ	N.m
	95...185	x1		25
	2.5...35	x2	9	3.5
	2.5...16	x5	6.8	2
	2.5...10	x4	6.1	2





DB 3P-35/16 1/6

Flame retardant: UL94-V0

CE RoHS

Technical specifications	
Max. Current(A)	125A
Length/Thickness/Height NS35: 7.5/ NS35: 15	75.5x85x50mm NS35: 7.5
According to the standard IEC 60 947-7-1 parameters	
Rated voltage(V)	V 690
Rated current (A)	A 125
Input/output cable rated cable cross-section	(mm ²) 3x35/16
Rated impulse voltage/ The pollution grade	2.5kV/3
UL94 Flammability class	V-0
Peak value of short-current	30
Short current >1 S	11.8
Input	A
Input cable terminal quantity	3x1
*e*Single stranded solid wire H07V-U	(mm ²) 10...35
*m*Multi-stranded solid wire H07V-R	(mm ²) 10...35
*f*flexible busbar H07V-K	(mm ²) 10...35
*f*flexible with wire-end ferrules acc. DIN46228-1 H07V-R	(mm ²) 10...35
*f*flexible with wire-end ferrules acc. DIN46228-1, with plastic collars H07V-R	(mm ²) 10...35
Dia.	mm 10
Tightening Torque	(Nm) 1.5...5
Compression screw type	M8
Stripping length	(mm) 14...15
Screwdriver blade size	SK-S 4.0
Output	A
Output cable terminal quantity	3x6
*e*Single stranded solid wire H07V-U	(mm ²) 2.5...16
*m*Multi-stranded solid wire H07V-R	(mm ²) 2.5...16
*f*flexible busbar H07V-K	(mm ²) 2.5...16
*f*flexible with wire-end ferrules acc. DIN46228-1 H07V-R	(mm ²) 2.5...16
*f*flexible with wire-end ferrules acc. DIN46228-1, with plastic collars H07V-R	(mm ²) 2.5...16
Dia.	mm 6.1
Tightening Torque	(Nm) 3
Compression screw type	M6
Stripping length	(mm) 10...12
Screwdriver blade size	SK-S 3.0
UL/CSA parameter	
Voltage/current/cable size	UL
Voltage/current/cable size	CSA

Product Description	Color	Model No.	Packing	Code No.
W/Aluminum or copper cable input	PA WH	DB 3P-35/16 1/6	1	8606001
		DB 3P-35/16 1/6	1	8606002
W/ Flexible busbar input	PA GY	DB 3P-35/16 1/6	1	8606003
		DB 3P-35/16 1/6	1	8606004

Attachment	Screw driver	Model No.	Code No.
Inner hexagonal spanner 6 pcs set		SK-S 3.0	8601021
		SK-S 4.0	8601022



DB 3P-70/16 1/6

Flame retardant: UL94-V0

CE RoHS

Technical specifications	
Max. Current(A)	175A
Length/Thickness/Height NS35: 7.5/ NS35: 15	75.5x85x50mm NS35: 7.5
According to the standard IEC 60 947-7-1 parameters	
Rated voltage(V)	V 690
Rated current (A)	A 175
Input/output cable rated cable cross-section	(mm ²) 3x70/16
Rated impulse voltage/ The pollution grade	2.5kV/3
UL94 Flammability class	V-0
Peak value of short-current	51
Short current >1 S	24.5
Input	A
Input cable terminal quantity	3x1
*e*Single stranded solid wire H07V-U	(mm ²) 16...70
*m*Multi-stranded solid wire H07V-R	(mm ²) 16...70
*f*flexible busbar H07V-K	(mm ²) 16...70
*f*flexible with wire-end ferrules acc. DIN46228-1 H07V-R	(mm ²) 16...70
*f*flexible with wire-end ferrules acc. DIN46228-1, with plastic collars H07V-R	(mm ²) 16...70
Dia.	mm 12
Tightening Torque	(Nm) 5
Compression screw type	M10
Stripping length	(mm) 15...16
Screwdriver blade size	SK-S 5.0
Output	A
Output cable terminal quantity	3x6
*e*Single stranded solid wire H07V-U	(mm ²) 2.5...16
*m*Multi-stranded solid wire H07V-R	(mm ²) 2.5...16
*f*flexible busbar H07V-K	(mm ²) 2.5...16
*f*flexible with wire-end ferrules acc. DIN46228-1 H07V-R	(mm ²) 2.5...16
*f*flexible with wire-end ferrules acc. DIN46228-1, with plastic collars H07V-R	(mm ²) 2.5...16
Dia.	mm 6.1
Tightening Torque	(Nm) 3
Compression screw type	M6
Stripping length	(mm) 10...12
Screwdriver blade size	SK-S 3.0
UL/CSA parameter	
Voltage/current/cable size	UL
Voltage/current/cable size	CSA

Product Description	Color	Model No.	Packing	Code No.
W/Aluminum or copper cable input	PA WH	DB 3P-70/16 1/6	1	8607001
		DB 3P-70/16 1/6	1	8607002
W/ Flexible busbar input	PA GY	DB 3P-70/16 1/6	1	8607003
		DB 3P-70/16 1/6	1	8607004

Attachment	Screw driver	Model No.	Code No.
Inner hexagonal spanner 6 pcs set		SK-S 3.0	8601021
		SK-S 5.0	8601023

Dimensions

DB 3P-35/16 1/6

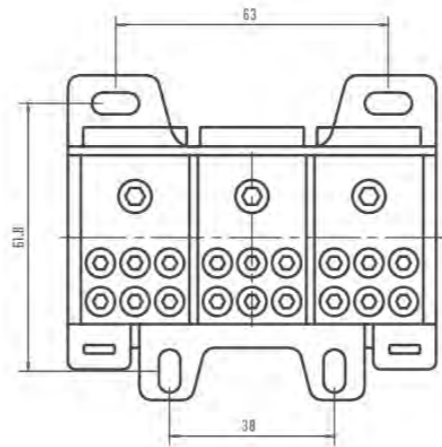
W/Aluminum or copper cable input

Metric		mm ²	Φ	N.m	
		10...35	×3	10	5
		2.5...16	×18	6.1	3

W/ Flexible bus bar input

W/ Flexible bus bar input end				
9×3×0.8 - 9×6×0.8				

Metric		mm ²	Φ	N.m	
		10...35	×3	10	5
		2.5...16	×18	6.1	3



DB 3P-70/16 1/6

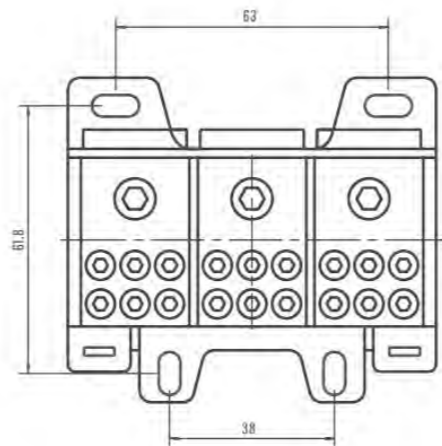
W/Aluminum or copper cable input

Metric		mm ²	Φ	N.m	
		16...70	×3	12	5
		2.5...16	×18	6.1	3

W/ Flexible bus bar input

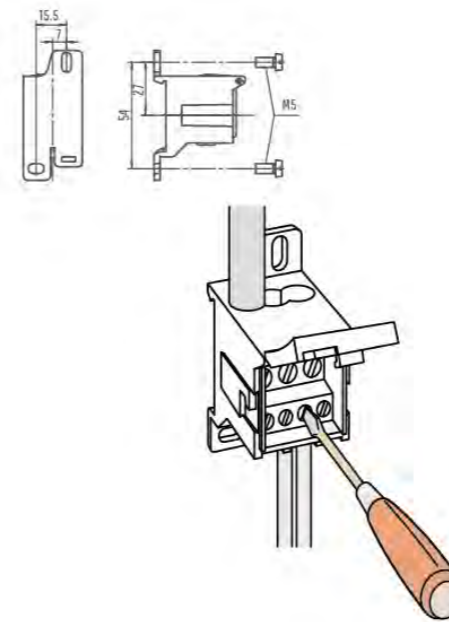
W/ Flexible bus bar input end				
13×3×0.5 - 13×6×0.5				

Metric		mm ²	Φ	N.m	
		16...70	×3	12	5
		2.5...16	×18	6.1	3

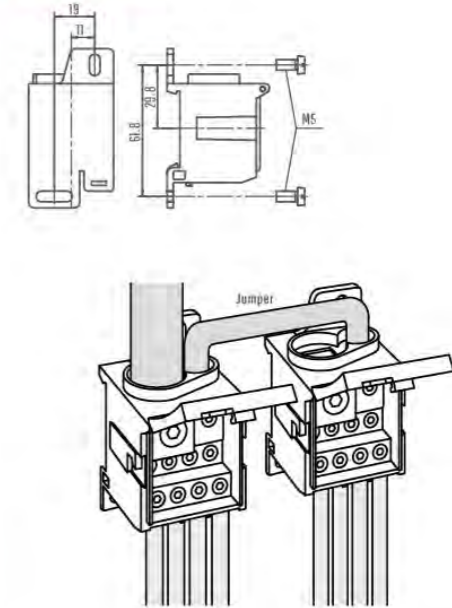


Installation diagram

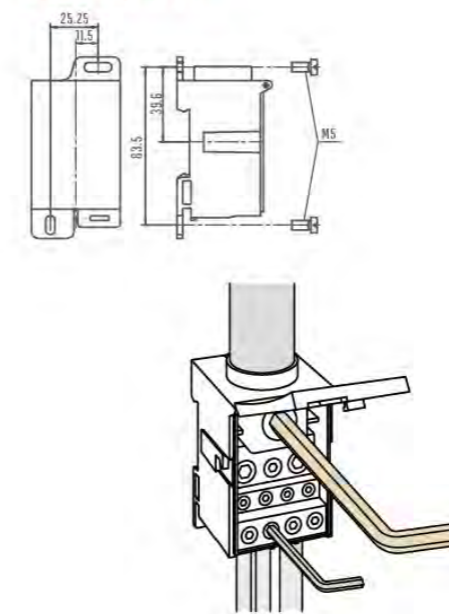
DB 16/6 3/4



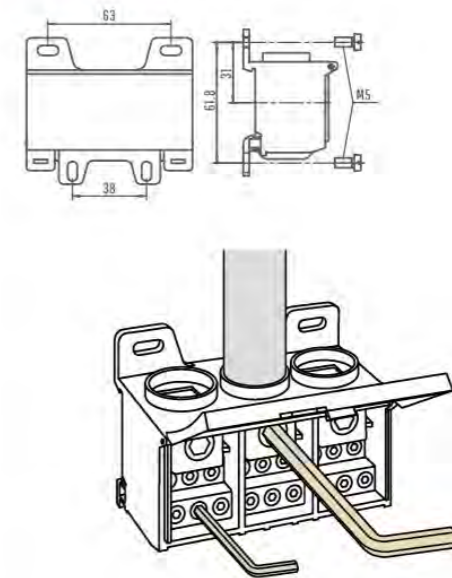
DB 35-16/6 1-1/8
DB 70-16/6 1-1/8



DB 120/35-16-10 1/2-5-4
DB 185/35-16-10 1/2-5-4



DB 3P-35/16 1/6
DB 3P-70/16 1/6



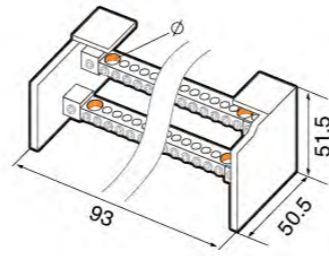
UK207/211/215 Distribution terminal blocks



UK 207 125A 500V

Solid core lead multistrand lead (mm²)
 1.5-6mm²; 6-16mm²
 For type
 Size: L×H×W/93×51.5×50.5mm
 Flame retardant: UL94-V0
 Terminals per pole: 2 pole

Dimensional drawing



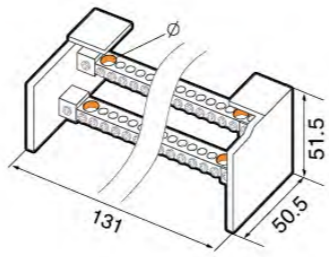
Metric system	** Or common jumper wire.	mm ²	mm ²	Ø		T(N.m)
		10...35	10...35	×1		6-7
		2.5...6	1.5...6	×5		2-3
		10...25	6...16	×1		2-3



UK 211 125A 500V

Solid core lead multistrand lead (mm²)
 1.5-6mm²; 6-16mm²; 10-16mm²;
 10-25mm²; 10-35mm²
 For type
 Size: L×H×W/131×51.5×50.5mm
 Flame retardant: UL94-V0
 Terminals per pole: 2 pole

Dimensional drawing



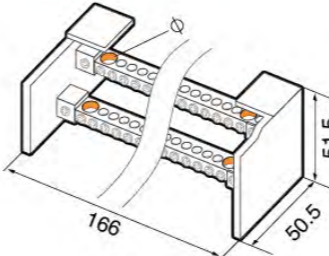
Metric system	** Or common jumper wire.	mm ²	mm ²	Ø		T(N.m)
		10...35	10...25	×1		2-3
		1.5...4	0.75...4	×7		1.2-1.5
		2.5...6	1.5...6	×3		2-3



UK 215 125A 500V

Solid core lead multistrand lead (mm²)
 1.5-6mm²; 6-16mm²; 2.5-6mm²;
 10-25mm²; 10-35mm²
 For type
 Size: L×H×W/166×51.5×50.5mm
 Flame retardant: UL94-V0
 Terminals per pole: 2 pole

Dimensional drawing



Metric system	** Or common jumper wire.	mm ²	mm ²	Ø		T(N.m)
		10...35	10...25	×1		2-3
		1.5...4	0.75...4	×11		1.2-1.5
		2.5...6	1.5...6	×3		2-3

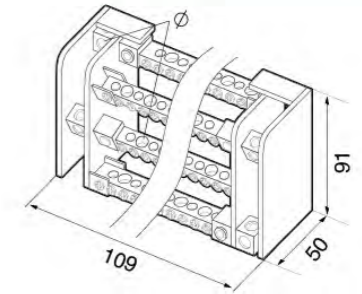
UK407/411/412 Distribution terminal blocks



UK 407 125A 500V

Solid core lead multistrand lead (mm²)
 1.5-6mm²; 6-16mm²; 2.5-6mm²; 10-25mm²
 For type
 Size: L×H×W/109×91×50mm
 Flame retardant: UL94-V0
 Terminals per pole: 4 pole

Dimensional drawing



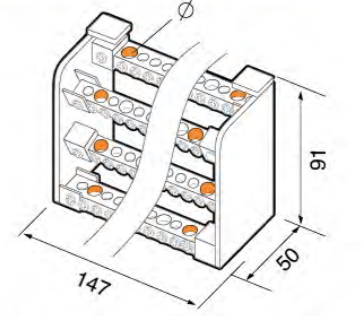
Metric system	** Or common jumper wire.	mm ²	mm ²	Ø		T(N.m)
		10...35	10...35	×1		6-7
		2.5...6	1.5...6	×5		2-3
		10...25	6...16	×1		2-3



UK 411 125A 500V

Solid core lead multistrand lead (mm²)
 1.5-6mm²; 6-16mm²; 10-16mm²;
 10-25mm²; 10-35mm²
 For type
 Size: L×H×W/147×91×50mm
 Flame retardant: UL94-V0
 Terminals per pole: 4 pole

Dimensional drawing



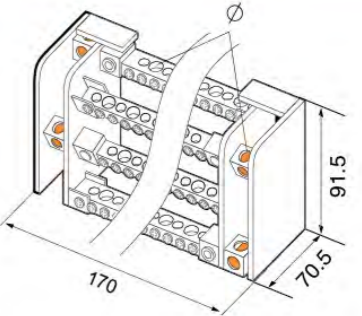
Metric system	** Or common jumper wire.	mm ²	mm ²	Ø		T(N.m)
		10...35	10...25	×1		2-3
		1.5...4	0.75...4	×7		1.2-1.5
		2.5...6	1.5...6	×3		2-3



UK 412 160A 500V

Solid core lead multistrand lead (mm²)
 1.5-6mm²; 6-16mm²; 2.5-6mm²;
 10-25mm²; 10-35mm²
 For type
 Size: L×H×W/170×91.5×70.5mm
 Flame retardant: UL94-V0
 Terminals per pole: 4 pole

Dimensional drawing



Metric system	** Or common jumper wire.	mm ²	mm ²	Ø		T(N.m)
		10...50	10...25	×1		8-10
		10...35	10...25	×3		2-3
		2.5...16	1.5...16	×8		2-3

UK415 Distribution terminal blocks



CE RoHS

UK 415 125A 500V

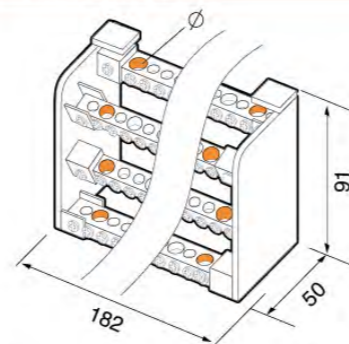
Solid core lead multistrand lead (mm²)1.5-6mm²; 6-16mm²; 2.5-6mm²;10-25mm²; 10-35mm²For \curvearrowright type

Size: L×H×W/182×91×50mm

Flame retardant: UL94-V0

Terminals per pole: 4 pole

Dimensional drawing



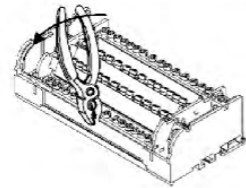
Metric system	** Or common jumper wire.	mm ²	mm ²	\emptyset	\bar{I} (N.m)	
		10...35	10...25	×1	8.5	2-3
		1.5...4	0.75...4	×11	4.5	1.2-1.5
		2.5...6	1.5...6	×3	5.5	2-3



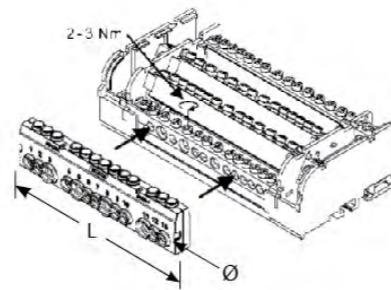
CE RoHS

Neutral wire 125A/160A

- Improved wire connectivity
- Direct electrical connection
- Reliable and safe mounting
- Transparent cover



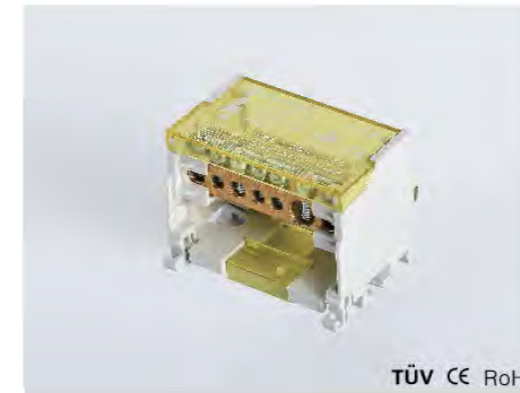
Dimensional drawing



NB 125 A	I = 125 A IEC	· Icw kA rms 1s : 4,5	· IPk kA : 30	mm ²	mm ²	\emptyset	\bar{I} (N.m)	
				10-25	6-16	×3	7.5	2-3
				2,5-6	1,5-6	×9	5.5	2-3

NB 160 A	I = 160 A IEC	· Icw kA rms 1s : 6.2	· IPk kA : 35	mm ²	mm ²	\emptyset	\bar{I} (N.m)	
				10-35	10-25	×4	8,5	2-3
				2,5-16	1,5-16	×10	7.2	2-3

LK207/211/215 Distribution terminal blocks



TÜV CE RoHS

LK 207 100A 500V

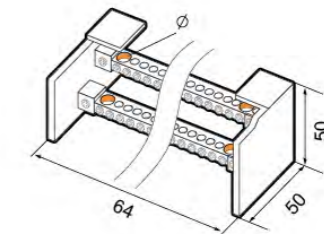
Solid core lead multistrand lead (mm²)1.5-6mm²; 6-16mm²For \curvearrowright type

Size: L×H×W/64×50×50mm

Flame retardant: UL94-V0

Terminals per pole: 2 pole 3×16mm² 1×25mm² 3×6mm²

Dimensional drawing



TÜV CE RoHS

LK 211 100A 500V

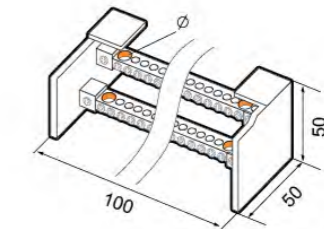
Solid core lead multistrand lead (mm²)1.5-6mm²; 6-16mm²; 10-16mm²; 10-25mm²; 10-35mm²For \curvearrowright type

Size: L×H×W/100×50×50mm

Flame retardant: UL94-V0

Terminals per pole: 2 pole 3×16mm² 2×25mm² 6×6mm²

Dimensional drawing



TÜV CE RoHS

LK 215 100A 500V

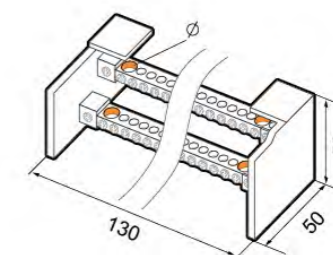
Solid core lead multistrand lead (mm²)1.5-6mm²; 6-16mm²; 2.5-6mm²; 10-25mm²; 10-35mm²For \curvearrowright type

Size: L×H×W/130×50×50mm

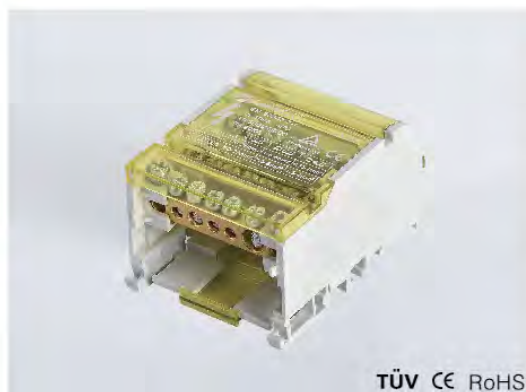
Flame retardant: UL94-V0

Terminals per pole: 2 pole 7×16mm² 2×25mm² 6×6mm²

Dimensional drawing



LK407/411/415 Distribution terminal blocks



TÜV CE RoHS

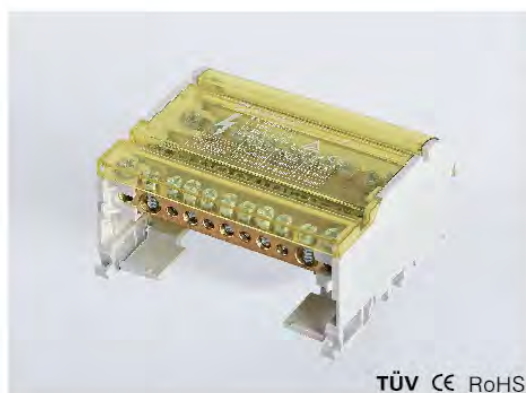
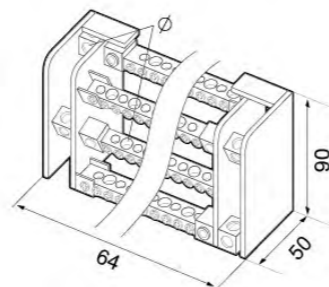
LK 407 100A 500VSolid core lead multistrand lead (mm²)1.5-6mm²; 6-16mm²; 2.5-6mm²; 10-25mm²For \sim type

Size L×H×W/64×50×90mm

Flame retardant UL94-V0

Terminals per pole 4 pole 3×16mm² 1×25mm² 3×6mm²

Dimensional drawing



TÜV CE RoHS

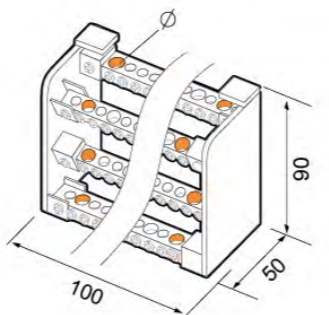
LK 411 100A 500VSolid core lead multistrand lead (mm²)1.5-6mm²; 6-16mm²; 10-16mm²; 10-25mm²; 10-35mm²For \sim type

Size L×H×W/100×50×90mm

Flame retardant UL94-V0

Terminals per pole 4 pole 3×16mm² 2×25mm² 6×6mm²

Dimensional drawing



TÜV CE RoHS

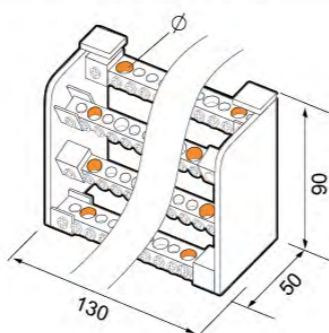
LK 415 100A 500VSolid core lead multistrand lead (mm²)1.5-6mm²; 6-16mm²; 2.5-6mm²; 10-25mm²; 10-35mm²For \sim type

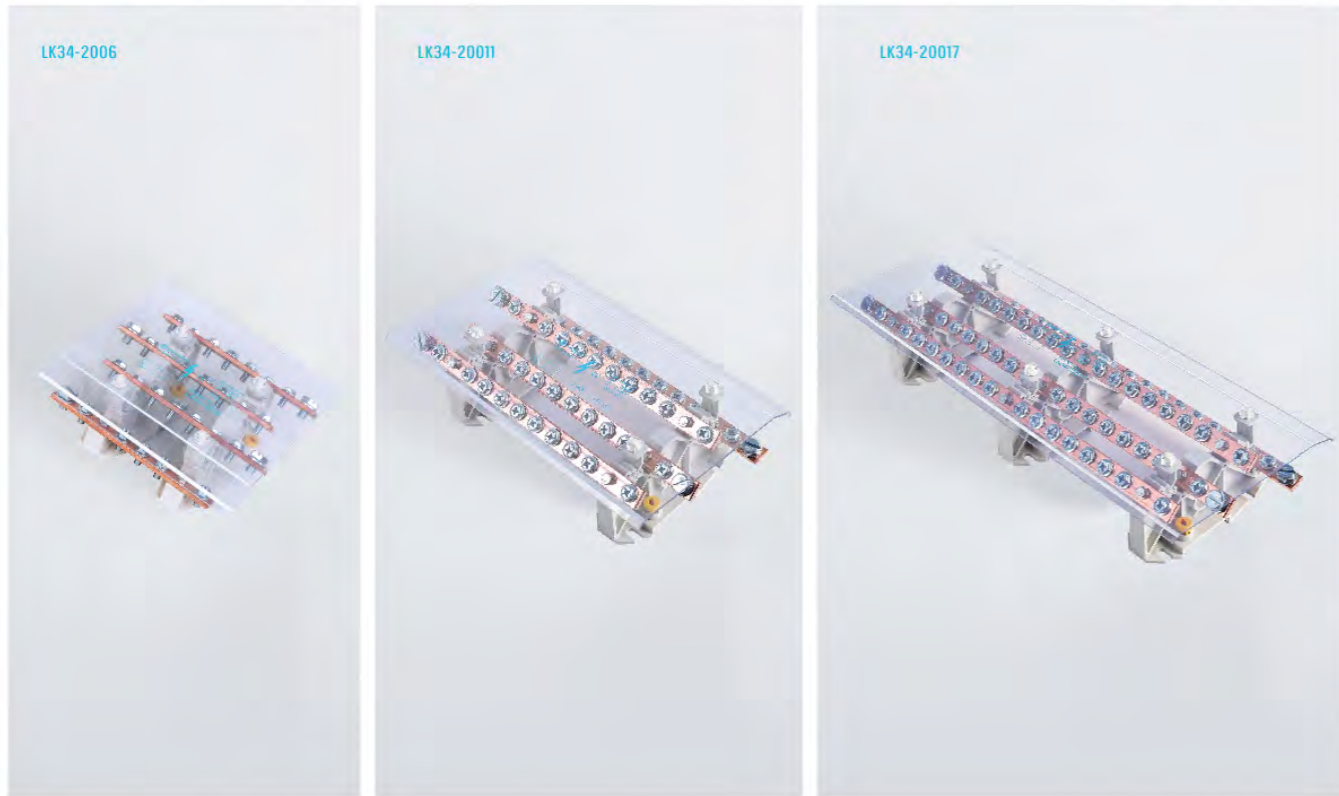
Size L×H×W/130×50×90mm

Flame retardant UL94-V0

Terminals per pole 4 pole 7×16mm² 2×25mm² 6×6mm²

Dimensional drawing





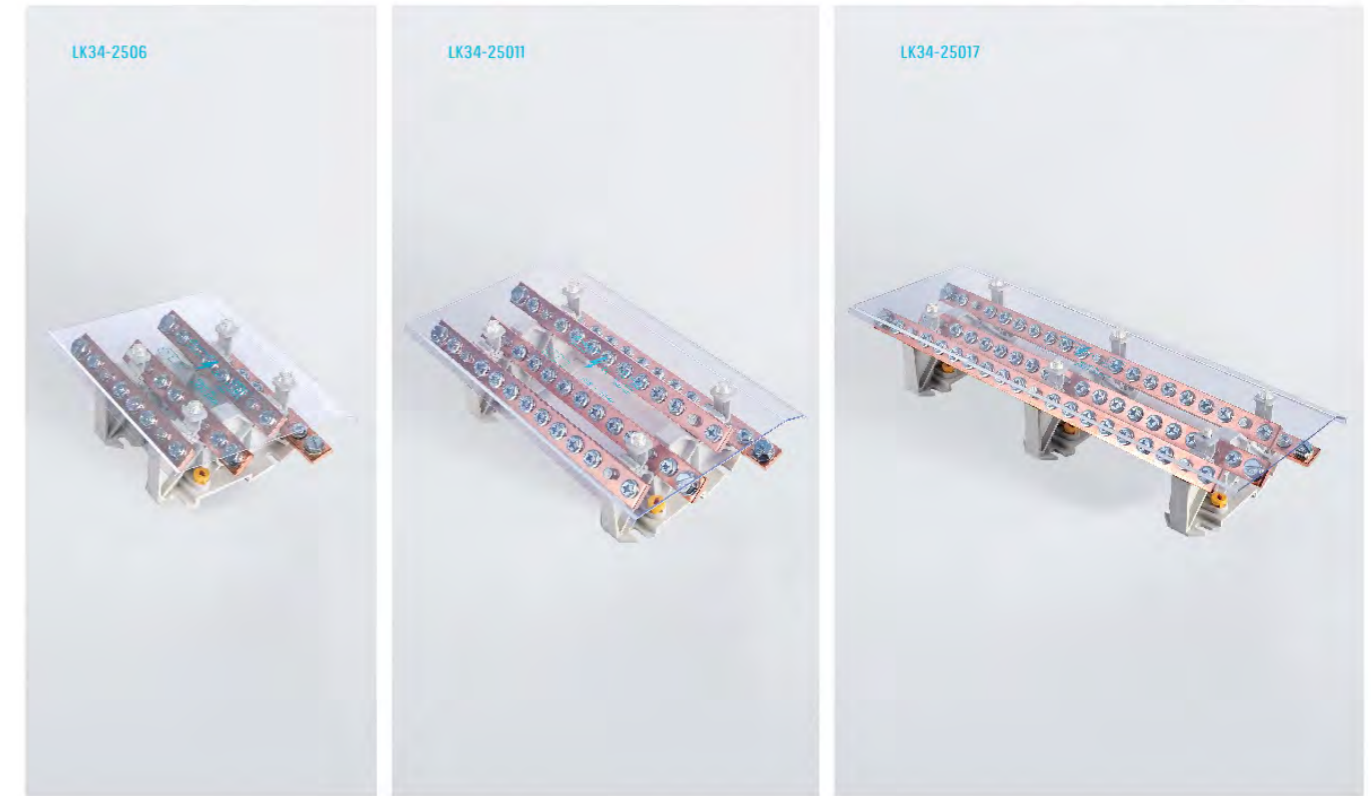
Performance :

- Compact space and highest capacity.
- Safe and easy electric connection.
- Protection: Transparent cover.
- Snap-on DIN Rail or mount to panel with screws.
- Halogen-free.
- Confirm to ROHS.
- Icc up to 35KA.

Material :

- PA, Polyamide 66, UL94V-0 grade, inflaming ratarnding, good resist dissolve, good bounce impact force. Working Temperature: -30 °C ~ +110 °C;
- PC, Polycarbonate, good glossiness, inflaming retarding, good bounce impact force. and thermal stability is great. Working Temperature: -60 °C ~ +135 °C;
- Brass (160A), Copper (200A、250A、400A);
- Voltage: 660V;
- Color: clear/grey color.

Model	LK34-2006	LK34-20011	LK34-20017
Rated current (A)	200	200	200
Nominal voltage (V)	660	660	660
Copper platoon size (mm)	15x4x153	15x4x248	15x4x384
Phase	4	4	4
In/Out	5xM6+1xM8	10xM6+1xM8	16xM6+1xM8
IPK	KA		
	48	30	40
Vimp	KV		
	6	6	6
Outline dimensions (mm)	182x170x77	280x170x77	420x170x77



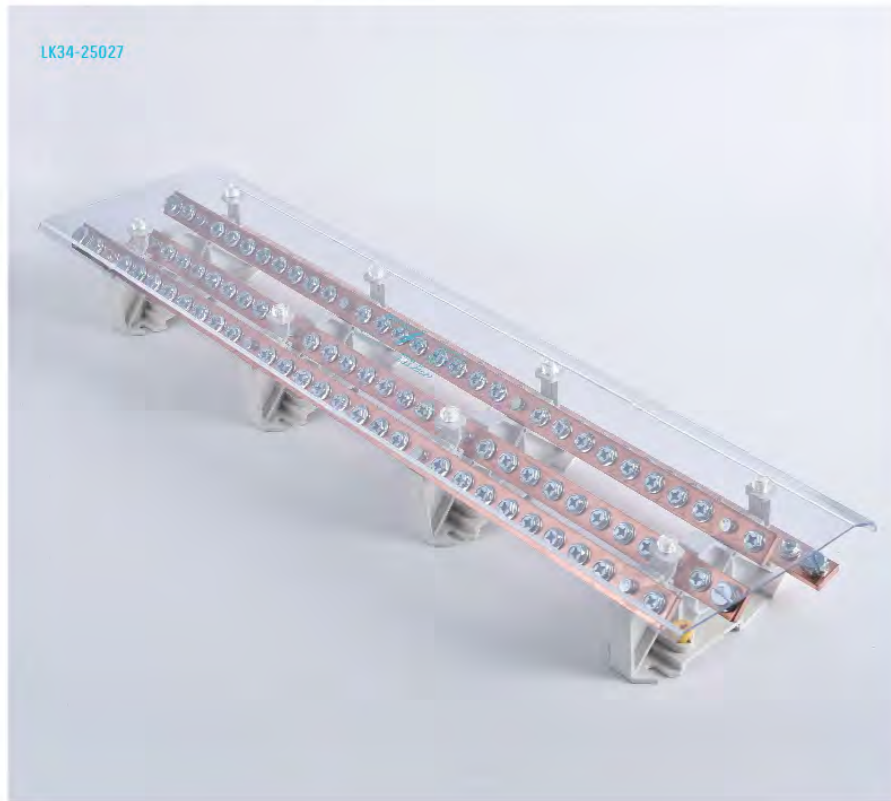
Performance :

- Compact space and highest capacity.
- Safe and easy electric connection.
- Protection: Transparent cover.
- Snap-on DIN Rail or mount to panel with screws.
- Halogen-free.
- Confirm to ROHS.
- Icc up to 35KA.

Material :

- PA, Polyamide 66, UL94V-0 grade, inflaming ratarnding, good resist dissolve, good bounce impact force. Working Temperature: -30 °C ~ +110 °C;
- PC, Polycarbonate, good glossiness, inflaming retarding, good bounce impact force. and thermal stability is great. Working Temperature: -60 °C ~ +135 °C;
- Brass (160A), Copper (200A、250A、400A);
- Voltage: 660V;
- Color: clear/grey color.

Model	LK34-2506	LK34-25011	LK34-25017	LK34-25027
Rated current (A)	250	250	250	250
Nominal voltage (V)	660	660	660	660
Copper platoon size (mm)	20x5x153	20x5x248	20x5x384	20x5x592
Phase	4	4	4	4
In/Out	5xM6+1xM8	10xM6+1xM8	16xM6+1xM8	26xM6+1xM8
IPK	KA			
	48	30	40	40
Vimp	KV			
	8	8	8	8
Outline dimensions (mm)	182x170x77	280x170x77	420x170x77	630x170x77



LK34-25027

Performance :

- Compact space and highest capacity.
- Safe and easy electric connection.
- Protection: Transparent cover.
- Snap-on DIN Rail or mount to panel with screws.
- Halogen-free.
- Confirm to ROHS.
- Icc up to 35KA.

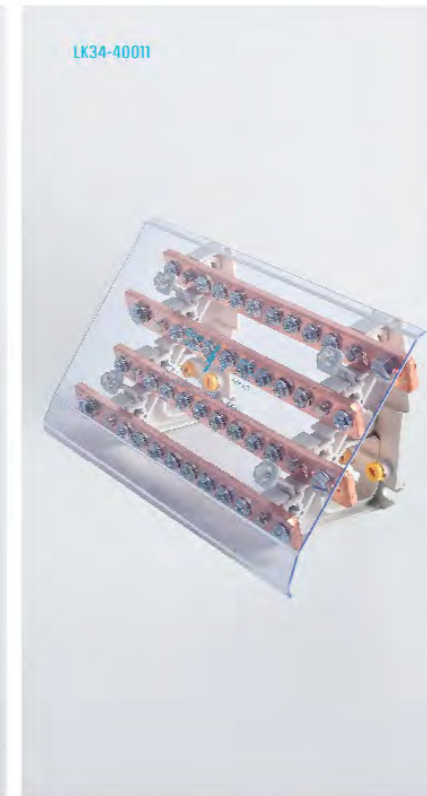
Material :

- PA,Polyamide 66,UL94V-0 grade, inflaming ratarding, good resist dissolve, good bounce impact force. Working Temperature: -30 °C ~+110 °C;
- PC, Polycarbonate, good glossiness, inflaming retarding, good bounce impact force. and thermal stability is great. Working Temperature: -60 °C ~+135 °C;
- Brass (160A), Copper (200A、250A、400A);
- Voltage: 660V;
- Color: clear/grey color.

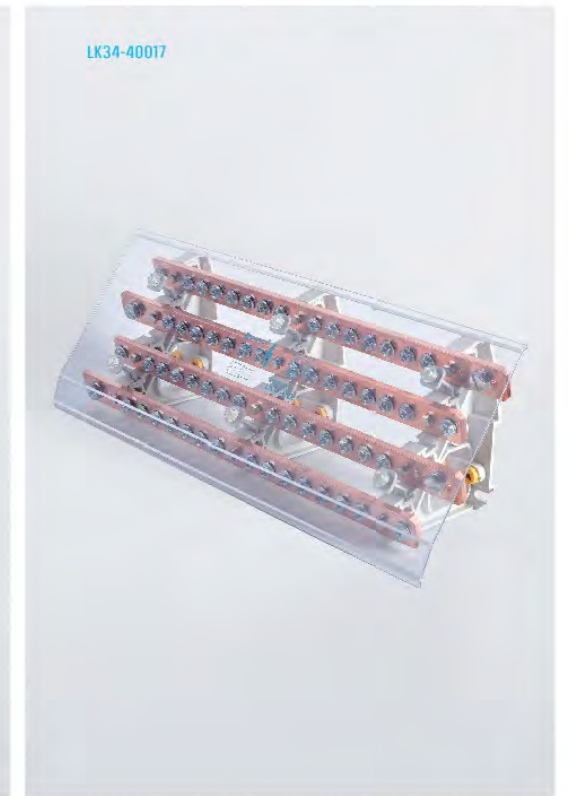
Model	LK34-25027	
Rated current (A)	250	
Nominal voltage (V)	660	
Copper platoon size (mm)	20x5x592	
Phase	4	
In/Out	26xM6+1xM8	
IPK	KA	40
Vimp	KV	8
Outline dimensions (mm)	630x170x77	



LK34-4006



LK34-40011



LK34-40017

Performance :

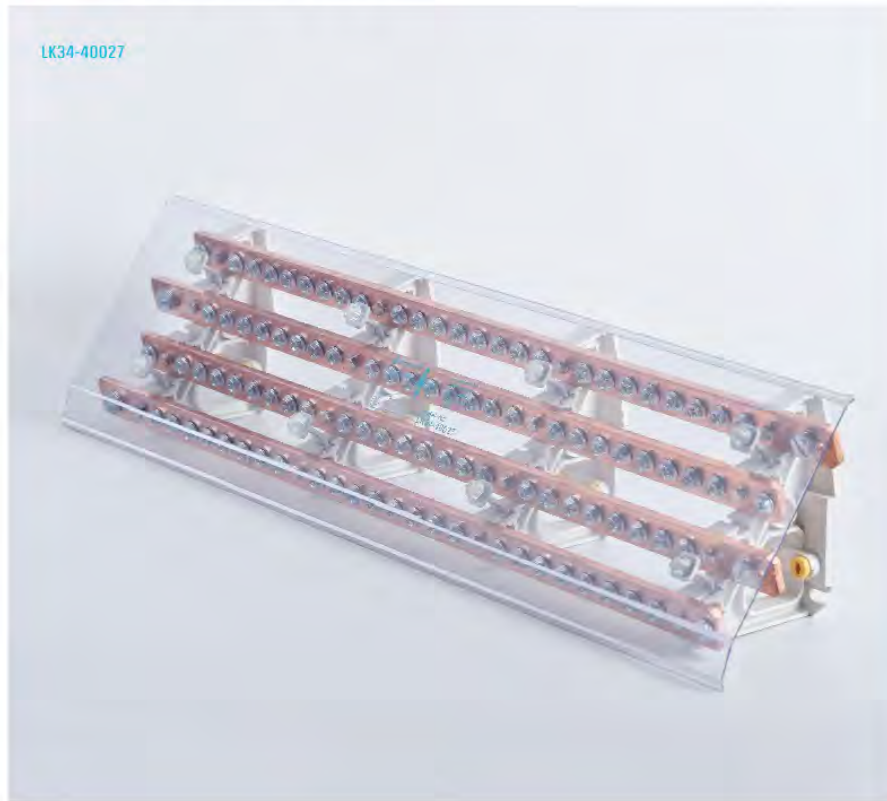
- Compact space and highest capacity.
- Safe and easy electric connection.
- Protection: Transparent cover.
- Snap-on DIN Rail or mount to panel with screws.
- Halogen-free.
- Confirm to ROHS.
- Icc up to 35KA.

Material :

- PA,Polyamide 66,UL94V-0 grade, inflaming ratarding, good resist dissolve, good bounce impact force. Working Temperature: -30 °C ~+110 °C;
- PC, Polycarbonate, good glossiness, inflaming retarding, good bounce impact force. and thermal stability is great. Working Temperature: -60 °C ~+135 °C;
- Brass (160A), Copper (200A、250A、400A);
- Voltage: 660V;
- Color: clear/grey color.

Model	LK34-4006	LK34-40011	LK34-40017
Rated current (A)	400	400	400
Nominal voltage (V)	660	660	660
Copper platoon size (mm)	25x6x153	25x6x248	25x6x384
Phase	4	4	4
In/Out	5xM6+1xM8	10xM6+1xM8	16xM6+1xM8
IPK	KA	48	30
Vimp	KV	8	8
Outline dimensions (mm)	182x150x116	280x150x116	420x150x116

LK34 4 Pole Terminal box



LK34-40027

Performance :

- Compact space and highest capacity.
- Safe and easy electric connection.
- Protection: Transparent cover.
- Snap-on DIN Rail or mount to panel with screws.
- Halogen-free.
- Confirm to ROHS.
- Icc up to 35KA.

Material :

- PA, Polyamide 66, UL94V-0 grade, inflaming retarding, good resist dissolve, good bounce impact force. Working Temperature: -30 °C ~ +110 °C;
- PC, Polycarbonate, good glossiness, inflaming retarding, good bounce impact force, and thermal stability is great. Working Temperature: -60 °C ~ +135 °C;
- Brass (160A), Copper (200A、250A、400A);
- Voltage: 660V;
- Color: clear/grey color.

Model	LK34-40027	
Rated current (A)	400	
Nominal voltage (V)	660	
Copper platoon size (mm)	25x6x592	
Phase	4	
In/Out	2x62+2x50+7x40+1x120	
IPK	KA	40
Vimp	KV	8
Outline dimensions (mm)	630x150x116	

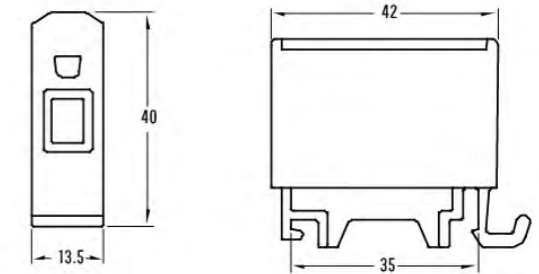


KE60 Universal terminal for Al/Cu conductors



Conductor Cross-section (mm ²)	1.5-16 mm ²
Conductor Size (AWG)	1/0-6
Material	PA66 UL94-V0
Mounting	DIN-Rail mounting
Screw	Hexagon, 4mm
Operating temperature (°C)	Max 80 °C
Standard	EN61238-1, EN60947-7-2
Marking strip	Z85,10 bit / bar

Dimensional drawing



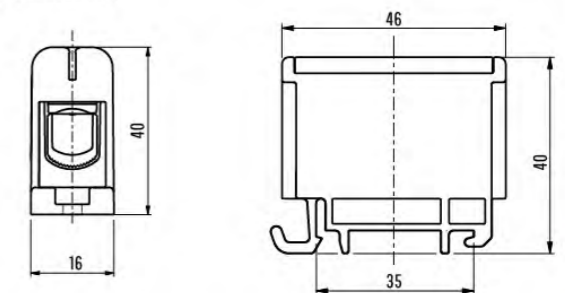
Model	Code	Color	Pole	Tighten torque (Nm)	Rated current (A)	Nominal voltage (V)	Internal structure
KE60.1	1914100	Gray	1 pole AL/Cu 1.5-16 mm ²	1.5Nm(1.5 mm ²)	85A	690V	Mono block
KE60.2	1914101	Blue		3.5Nm(2.5-6 mm ²)			
KE60.3	1914102	Yellow/Green		7Nm(10-16 mm ²)			

KE50 Universal terminal for Al/Cu conductors



Conductor Cross-section (mm ²)	2.5-35 mm ²
Conductor Size (AWG)	1/0-6
Material	PA66 UL94-V0
Mounting	DIN-Rail mounting
Screw	Hexagon, 4mm
Operating temperature (°C)	Max 80 °C
Standard	EN61238-1, EN60947-7-2
Marking strip	Z85,10 bit / bar

Dimensional drawing



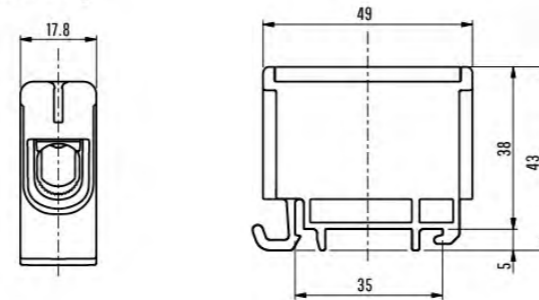
Model	Code	Color	Pole	Tighten torque (Nm)	Rated current (A)	Nominal voltage (V)	Internal structure
KE50.1	1914206	Gray	1 pole AL/Cu 2.5-35 mm ²	3Nm(2.5-16 mm ²) 6Nm(25-35 mm ²)	Cu 135A AL 120A	750V	Mono block
KE50.2	1914207	Blue					
KE50.3	1914208	Yellow/Green					

KE61 Universal terminal for Al/Cu conductors



Conductor Cross-section (mm ²)	Cu 2.5-50 mm ² Al 6-50 mm ²
Conductor Size (AWG)	1/0-6
Material	PA66 UL94-V0
Mounting	DIN-Rail mounting
Screw	Hexagon, 5mm
Operating temperature (°C)	Max 80 °C
Standard	EN61238-1, EN60947-7-2
Marking strip	Z85,10 bit /bar

Dimensional drawing



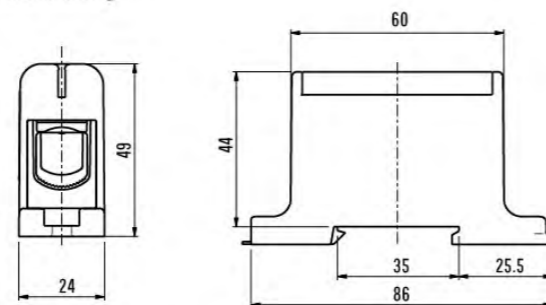
Model	Code	Color	Pole	Tighten torque (Nm)	Rated current (A)	Nominal voltage (V)	Internal structure
KE61.1	1914103	Gray	1 pole AL/Cu 2.5-50 mm ²	4Nm(2.5-4 mm ²)	Cu 160A AL 145A	750V	Mono block
KE61.2	1914104	Blue		12Nm(6-50 mm ²)			
KE61.3	1914105	Yellow/Green					

KE62 Universal terminal for Al/Cu conductors



Conductor Cross-section (mm ²)	16-95 mm ²
Conductor Size (AWG)	4/0-4
Material	PA66 UL94-V0
Mounting	DIN-Rail mounting
Screw	Hexagon, 5mm
Operating temperature (°C)	Max 80 °C
Standard	EN61238-1, EN60947-7-2
Marking strip	Z85,10 bit /bar

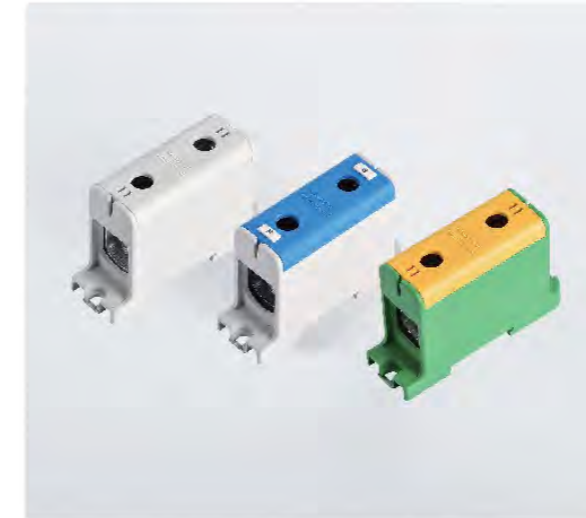
Dimensional drawing



Model	Code	Color	Pole	Tighten torque (Nm)	Rated current (A)	Nominal voltage (V)	Internal structure
KE62.1	1914113	Gray	1 pole AL/Cu 16-95 mm ²	10Nm(16-25mm ²)	Cu 245A AL 220A	750V	Mono block
KE62.2	1914114	Blue		20Nm(35-95mm ²)			
KE62.3	1914115	Yellow/Green					

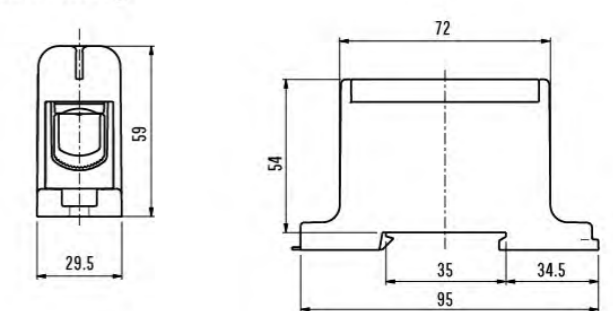


KE63 Universal terminal for Al/Cu conductors



Conductor Cross-section (mm ²)	35-150 mm ²
Conductor Size (AWG)	300-2
Material	PA66 UL94-V0
Mounting	DIN-Rail mounting
Screw	Hexagon, 8mm
Operating temperature (°C)	Max 80 °C
Standard	SFS 2663
Marking strip	Z85,10 bit /bar

Dimensional drawing



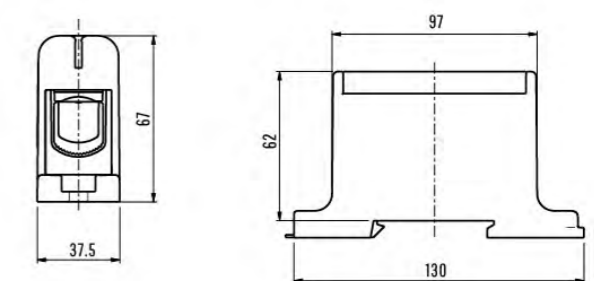
Model	Code	Color	Pole	Tighten torque (Nm)	Rated current (A)	Nominal voltage (V)	Internal structure
KE63.1	1914118	Gray	1 pole AL/Cu 35-150 mm ²	14Nm(35-95mm ²)	Cu 320A AL 290A	750V	Mono block
KE63.2	1914119	Blue		30Nm(120-150mm ²)			
KE63.3	1914120	Yellow/Green					

KE64 Universal terminal for Al/Cu conductors



Conductor Cross-section (mm ²)	35-240 mm ²
Conductor Size (AWG)	500-3/0
Material	PA66 UL94-V0
Mounting	DIN-Rail mounting
Screw	Hexagon, 8mm
Operating temperature (°C)	Max 80 °C
Standard	EN61238-1, EN60947-7-2
Marking strip	Z85,10 bit /bar

Dimensional drawing



Model	Code	Color	Pole	Tighten torque (Nm)	Rated current (A)	Nominal voltage (V)	Internal structure
KE64.1	1914130	Gray	1 pole AL/Cu 35-240 mm ²	12Nm(35-70mm ²)	Cu 425A AL 380A	750V	Mono block
KE64.2	1914131	Blue		45Nm(95-240mm ²)			
KE64.3	1914132	Yellow/Green					

KE Protective Covers



KE protective covers are used for covering unused connection space or for maintaining IP20 protection class when using wires with smaller cross-section.

Model	KEPC016
	KEPC035
	KEPC050
	KEPC095
	KEPC150
	KEPC240

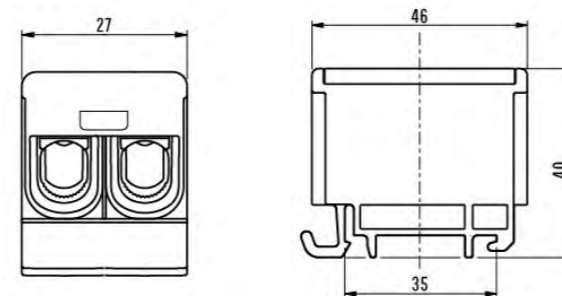
Model	KEPC016	KEPC035	KEPC050	KEPC095	KEPC150	KEPC240
Width /Height/ Length (mm)	14/31,5/10	14/31,5/10	14/31,5/10	14/31,5/10	14/31,5/10	14/31,5/10
Material	PA 66	PA 66	PA 66	PA 66	PA 66	PA 66
Weight (g)	0,8	0,8	0,8	0,8	0,8	0,8
Package (Dcs)	10	10	10	10	10	10

KE65 Universal terminal for Al/Cu conductors



Conductor Cross-section (mm ²)	2.5-35 mm ²
Conductor Size (AWG)	1/0-6
Material	PA66 UL94-V0
Mounting	DIN-Rail mounting
Screw	Hexagon, 4mm
Operating temperature (°C)	Max 80 °C
Standard	EN61238-1, EN60947-7-2
Marking strip	Z85,10 bit /bar

Dimensional drawing



Model	Code	Color	Pole	Tighten torque (Nm)	Rated current (A)	Nominal voltage (V)	Internal structure
KE65.1	1914136	Gray	2 pole AL/Cu 2.5-35 mm ²	3Nm(2.5-16 mm ²) 6Nm(25-35 mm ²)	Cu 135A AL 120A	750V	Mono block
KE65.2	1914137	Blue					
KE65.3	1914138	Yellow/Green					

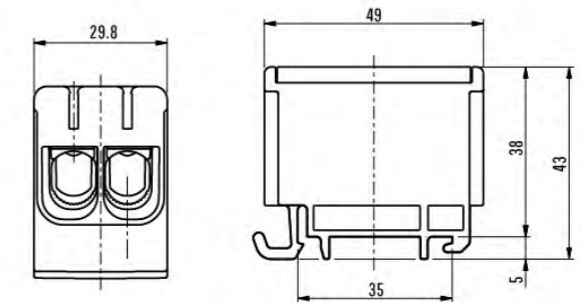


KE66 Universal terminal for Al/Cu conductors



Conductor Cross-section (mm ²)	Cu 2.5-50 mm ² Al 6-50 mm ²
Conductor Size (AWG)	1/0-6
Material	PA66 UL94-V0
Mounting	DIN-Rail mounting
Number of termination points	4 Bits
Screw	Hexagon, 5mm
Operating temperature (°C)	Max 80 °C
Standard	EN 61238-1, EN 60947-7-1
Marking strip	Z85,10 bit /bar

Dimensional drawing



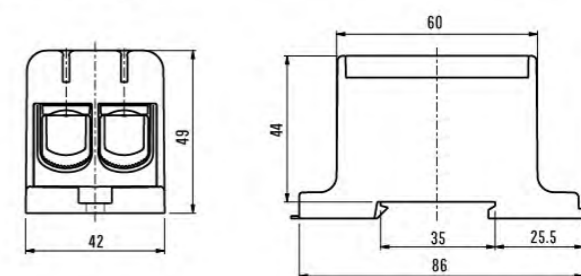
Model	Code	Color	Pole	Tighten torque (Nm)	Rated current (A)	Nominal voltage (V)	Internal structure
KE66.1	1914106	Gray	2 pole AL/Cu 2.5-50 mm ²	4Nm(2.5-4 mm ²) 12Nm(6-50 mm ²)	Cu 160A AL 145A	750V	Mono block
KE66.2	1914107	Blue					
KE66.3	1914108	Yellow/Green					

KE67 Universal terminal for Al/Cu conductors



Conductor Cross-section (mm ²)	16-95 mm ²
Conductor Size (AWG)	4/0-4
Material	PA66 UL94-V0
Mounting	DIN-Rail mounting
Number of termination points	4 Bits
Screw	Hexagon, 8mm
Operating temperature (°C)	Max 80 °C
Standard	EN 61238-1, EN 60947-7-1
Marking strip	Z85,10 bit /bar

Dimensional drawing



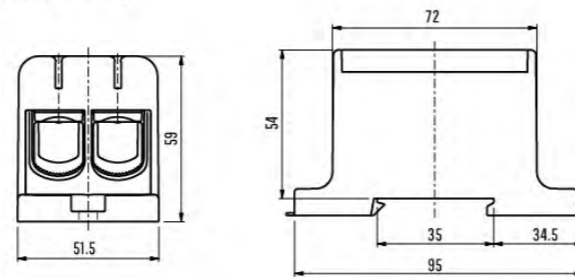
Model	Code	Color	Pole	Tighten torque (Nm)	Rated current (A)	Nominal voltage (V)	Internal structure
KE67.1	1914125	Gray	2 pole AL/Cu 16-95 mm ²	20 Nm	Cu 245A AL 220A	750V	Mono block
KE67.2	1914126	Blue					
KE67.3	1914127	Yellow/Green					

KE68 Universal terminal for Al/Cu conductors



Conductor Cross-section (mm ²)	35-150 mm ²
Conductor Size (AWG)	300-2
Material	PA66 UL94-V0
Mounting	Screw
Number of termination points	2 Bits
Screw	Hexagon, 8mm
Operating temperature (°C)	Max 80 °C
Standard	EN 61238-1, EN 60947-7-1
Marking strip	Z85,10 bit /bar

Dimensional drawing



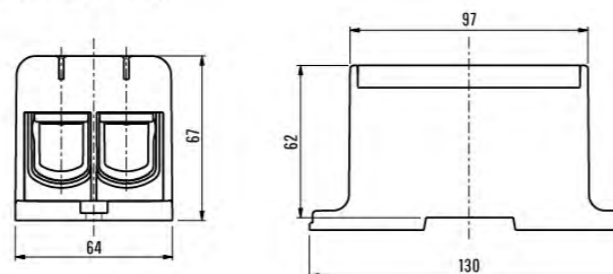
Model	Code	Color	Pole	Tighten torque (Nm)	Rated current (A)	Nominal voltage (V)	Internal structure
KE68.1	1914124	Gray	2 pole Al/Cu 35-150 mm ²	14 Nm (35-95mm ²)	Cu 320A AL 290A	750V	Mono block
KE68.2	1914125	Blue		30 Nm (120-150mm ²)			
KE68.3	1914126	Yellow/Green					

KE69 Universal terminal for Al/Cu conductors



Conductor Cross-section (mm ²)	35-240 mm ²
Conductor Size (AWG)	500-3/0
Material	PA66 UL94-V0
Mounting	Screw
Number of termination points	2 Bits
Screw	Hexagon, 8mm
Operating temperature (°C)	Max 80 °C
Standard	EN 61238-1, EN 60947-7-1
Marking strip	Z85,10 bit /bar

Dimensional drawing



Model	Code	Color	Pole	Tighten torque (Nm)	Rated current (A)	Nominal voltage (V)	Internal structure
KE69.1	1914133	Gray	2 pole Al/Cu 35-240 mm ²	12 Nm (35-70mm ²)	Cu 425A AL 380A	750V	Mono block
KE69.2	1914134	Blue		45 Nm (95-240mm ²)			
KE69.3	1914135	Yellow/Green					

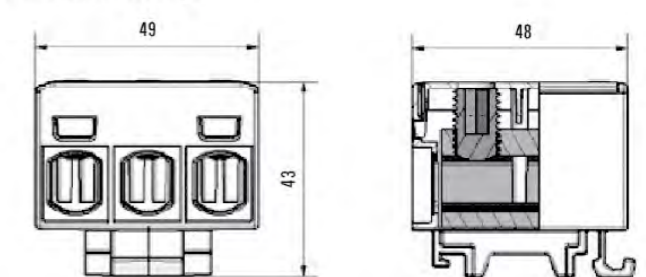


KE61 Universal terminal for Al/Cu conductors



Conductor Cross-section (mm ²)	Cu 2.5-50 mm ² Al 6-50 mm ²
Conductor Size (AWG)	1/0-6
Material	PA66 UL94-V0
Mounting	DIN-Rail mounting
Screw	Hexagon, 5mm
Operating temperature (°C)	Max 80 °C
Standard	EN61238-1, EN60947-7-2
Marking strip	Z85,10 bit /bar

Dimensional drawing



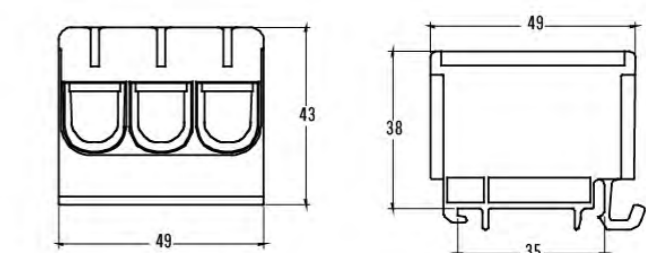
Model	Code	Color	Pole	Tighten torque (Nm)	Rated current (A)	Nominal voltage (V)	Internal structure
KE61.4	1914109	Gray	3 pole Al/Cu 2.5-50 mm ²	4Nm(2.5-4 mm ²)	Cu 160A AL 145A	750V	Split block
KE61.5	1914110	Blue		12Nm(6-50 mm ²)			
KE61.6	1914111	Yellow/Green					

KE71 Universal terminal for Al/Cu conductors



Conductor Cross-section (mm ²)	Cu 2.5-50 mm ² Al 6-50 mm ²
Conductor Size (AWG)	1/0-6
Material	PA66 UL94-V0
Mounting	DIN-Rail mounting
Number of termination points	3 Bits
Screw	Hexagon, 5mm
Operating temperature (°C)	Max 80 °C
Standard	EN61238-1, EN60947-7-1
Marking strip	Z85,10 bit /bar

Dimensional drawing



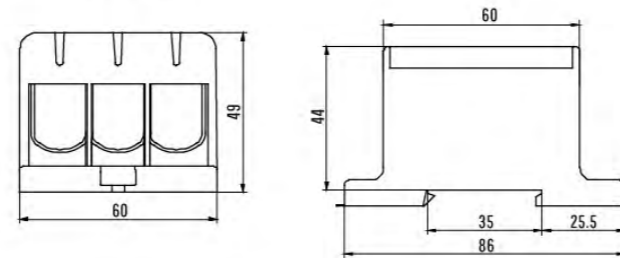
Model	Code	Color	Pole	Tighten torque (Nm)	Rated current (A)	Nominal voltage (V)	Internal structure
KE71.1	1914212	Gray	3 pole Al/Cu 2.5-50 mm ²	4Nm(2.5-4 mm ²)	Cu 160A AL 145A	750V	Mono block
KE71.2	1914213	Blue		12Nm(6-50 mm ²)			
KE71.3	1914214	Yellow/Green					

KE72 Universal terminal for Al/Cu conductors



Conductor Cross-section (mm ²)	16-95 mm ²
Conductor Size (AWG)	4/0-4
Material	PA66 UL94-V0
Mounting	Screw
Number of termination points	3 Bits
Screw	Hexagon, 8mm
Operating temperature (°C)	Max 80 °C
Standard	EN 61238-1, EN 60947-7-1
Marking strip	Z85,10 bit /bar

Dimensional drawing



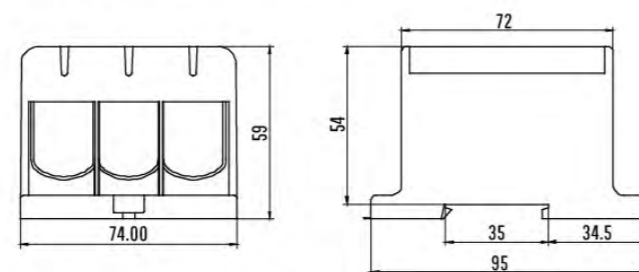
Model	Code	Color	Pole	Tighten torque (Nm)	Rated current (A)	Nominal voltage (V)	Internal structure
KE72.1	1914215	Gray	3 pole Al/Cu16-95 mm ²	10Nm(16-25mm ²) 20Nm(35-95mm ²)	Cu 245A AL 220A	750V	Mono block
KE72.2	1914216	Blue					
KE72.3	1914217	Yellow/Green					

KE73 Universal terminal for Al/Cu conductors



Conductor Cross-section (mm ²)	35-150 mm ²
Conductor Size (AWG)	300-2
Material	PA66 UL94-V0
Mounting	Screw
Number of termination points	3 Bits
Screw	Hexagon, 8mm
Operating temperature (°C)	Max 80 °C
Standard	EN61238-1, EN60947-7-1
Marking strip	Z85,10 bit /bar

Dimensional drawing



Model	Code	Color	Pole	Tighten torque (Nm)	Rated current (A)	Nominal voltage (V)	Internal structure
KE73.1	1914218	Gray	3 pole Al/Cu35-150 mm ²	14 Nm (35-95mm ²) 30 Nm (120-150mm ²)	Cu 320A Al 290A	750V	Mono block
KE73.2	1914219	Blue					
KE73.3	1914220	Yellow/Green					

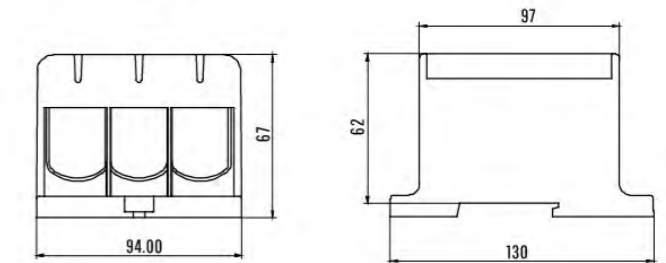


KE74 Universal terminal for Al/Cu conductors



Conductor Cross-section (mm ²)	35-240 mm ²
Conductor Size (AWG)	500-3/0
Material	PA66 UL94-V0
Mounting	Screw
Number of termination points	3 Bits
Screw	Hexagon, 8mm
Operating temperature (°C)	Max 80 °C
Standard	EN 61238-1, EN 60947-7-1
Marking strip	Z85,10 bit /bar

Dimensional drawing



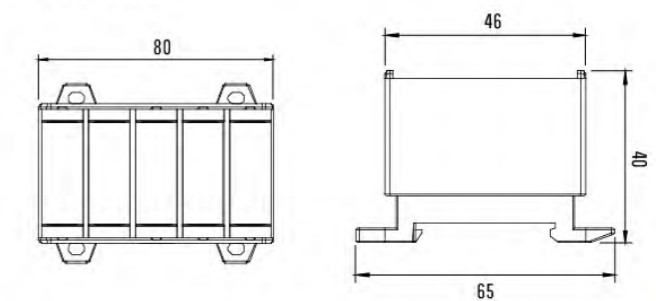
Model	Code	Color	Pole	Tighten torque (Nm)	Rated current (A)	Nominal voltage (V)	Internal structure
KE74.1	1914221	Gray	3 pole Al/Cu 35-240 mm ²	12 Nm (35-70mm ²) 45 Nm (95-240mm ²)	Cu 425A Al 380A	750V	Mono block
KE74.2	1914222	Blue					
KE74.3	1914223	Yellow/Green					

KE65.7 Universal terminal for Al/Cu conductors



Conductor Cross-section (mm ²)	2.5-35 mm ²
Conductor Size (AWG)	1/0-6
Material	PA66 UL94-V0
Mounting	DIN-Rail mounting
Screw	Hexagon, 4mm
Operating temperature (°C)	Max 80 °C
Standard	EN61238-1, EN60947-7-2
Marking strip	Z85,10 bit /bar

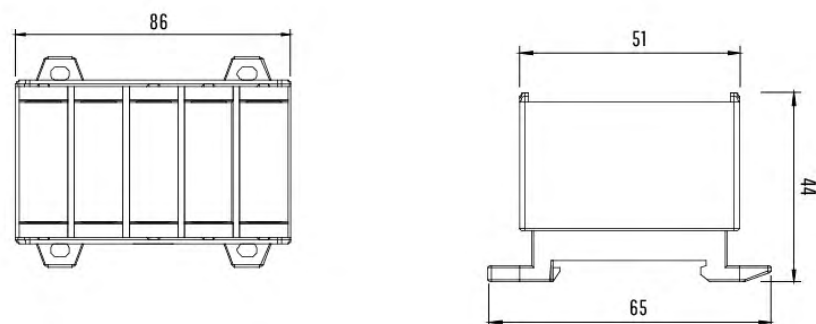
Dimensional drawing



Model	Code	Color	Pole	Tighten torque (Nm)	Rated current (A)	Nominal voltage (V)	Internal structure
KE65.7	1914000	Gray	5 pole Al/Cu2.5-35 mm ²	3Nm(2.5-16 mm ²) 6Nm(25-35 mm ²)	Cu 135A AL 120A	750V	Split block
		Blue					
		Yellow/Green					



Dimensional drawing



Conductor Cross-section (mm ²)	Cu 2.5-50 mm ² Al 6-50 mm ²
Conductor Size (AWG)	1/0-6
Material	PA66 UL94-V0
Mounting	DIN-Rail mounting
Screw	Hexagon, 5mm
Operating temperature (°C)	Max 80°C
Standard	EN61238-1, EN60947-7-2
Marking strip	Z85.10 bit /bar

Model	Code	Color	Pole	Tighten torque (Nm)	Rated current (A)	Nominal voltage (V)	Internal structure
KE61.7	1915000	Gray	5 pole Al/Cu 2.5-50 mm ²	4Nm(2.5-4 mm ²) 12Nm(6-50 mm ²)	Cu 160A AL 145A	1000V	Split block
		Blue					
		Yellow/Green					



- Suitable for 1000 VAC and VDC.
- Compact size.
- Can be installed next to each other without partition plates.
- Suitable for both aluminium and copper conductors.
- Short circuit tested class A terminals.
- Higher temperature range (90 °C).

Housing:
 Fiberglass reinforced polyamide UL94-V0
 Better mechanical strength vs. Polyamide.
 Better insulating capacity
 90 °C temperature range achieved for the material.

Colours:
 Red and black versions for DC applications.
 Grey and blue for AC applications.
 (KE6x.3 to be used as a grounding terminal)

For copper conductors	EN 60947-7-1:2009
For aluminium conductors	EN 61238-1:2003
Connector class	A
Cross-section range	Al 6 - 150 mm ² , Cu 2.5 - 150 mm ²
Nominal current range	145 - 320 A
Operating temperature	max. 90 °C
Pollution degree	3
Housing	Fiberglass reinforced polyamide
Body and screws	Tin-coated aluminium
Screw heads	Hexagonal
Mounting	Screws or DIN rail



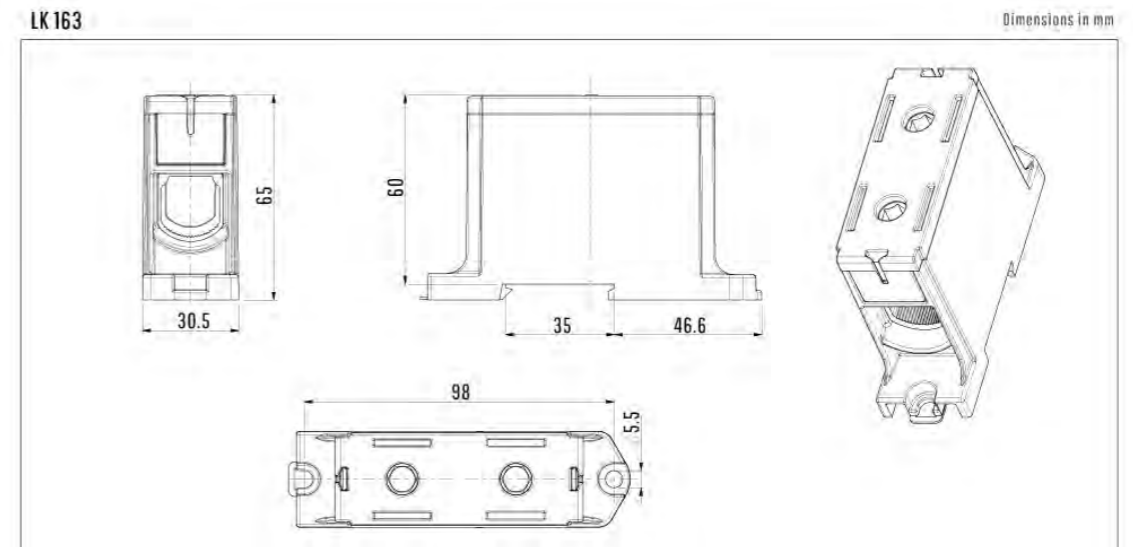
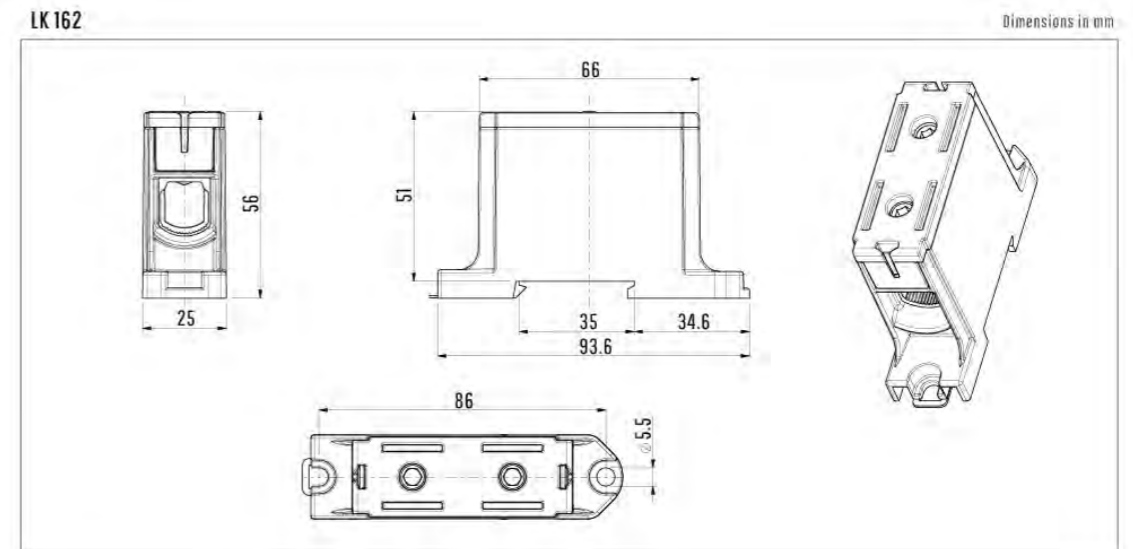
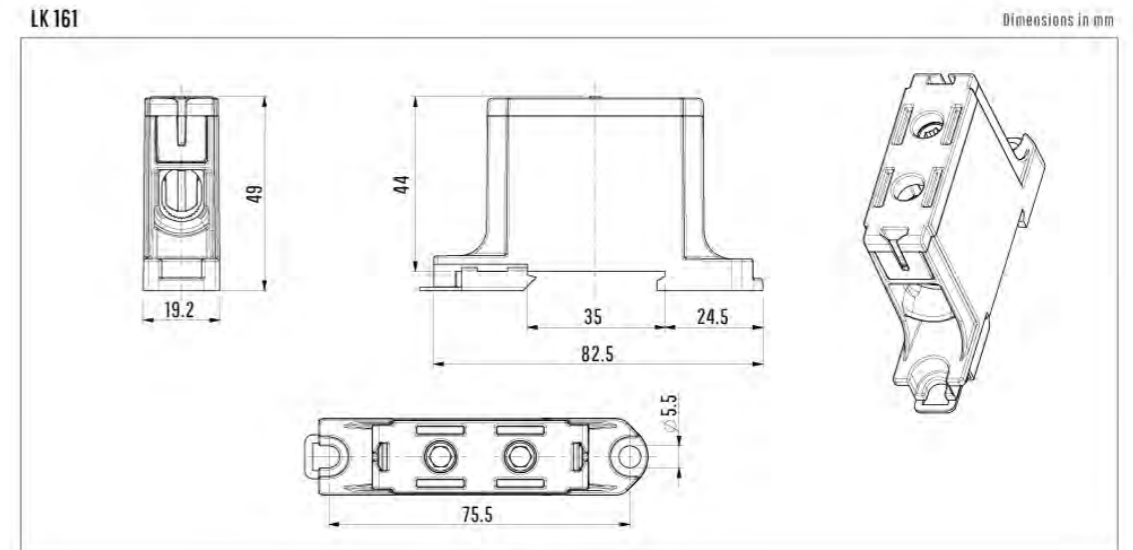
UL recognitions Standard UL 1059 * AWG = American Wire Gauge. All terminal blocks are delivered with oxide-inhibiting compound applied.

Model	Wire type	*AWG 1 wire /terminal	*AWG 2 Cu-wires /terminal	*AWG 3 Cu-wires /terminal	Max insulation voltage	Max current	Tightening torque	Allen-hex socket head terminal screw	Dimensions (W/H/D)
LK161	Cu Al	1/0 - 6 1/0 - 6	6	8	1000 V 1000 V	150 A 120 A	90 lb-in (10 Nm)	5 mm	3.25 x 1.89 x 0.76 In (82.5 x 48 x 19.2 mm)
LK162	Cu Al	4/0 - 4 4/0 - 4	2 - 6	6	1000 V 1000 V	230 A 180 A	126 lb-in (14 Nm)	5 mm	3.74 x 2.16 x 0.98 In (95 x 55 x 25 mm)
LK163	Cu Al	300 - 2 300 - 2	1/0 - 2	2	1000 V 1000 V	285 A 230 A	216 lb-in (24 Nm)	8 mm	4.15 x 2.58 x 1.20 In (105.5 x 65.5 x 30.4 mm)

Model	Conductor Cross-section (mm ²)	Colour	Rated current (A)	Rated insulation voltage (V)	Screw head hexagon (mm)	Tightening torque (Nm)	Mounting	Weight (kg)	Package size (pcs)
LK161	Cu 2,5-50 mm ² Al 6-50 mm ²	Gray	Cu 160 A Al 145 A	1000 V	5 mm	4 Nm (2,5-4mm ²) 12 Nm (6-50mm ²)	DIN rail	0.045	30
LK161.2	Cu 2,5-50 mm ² Al 6-50 mm ²	Blue	Cu 160 A Al 145 A	1000 V	5 mm	4 Nm (2,5-4mm ²) 12 Nm (6-50mm ²)	DIN rail	0.045	30
LK161.4	Cu 2,5-50 mm ² Al 6-50 mm ²	red	Cu 160 A Al 145 A	1000 V	5 mm	4 Nm (2,5-4mm ²) 12 Nm (6-50mm ²)	DIN rail	0.045	30
LK161.6	Cu 2,5-50 mm ² Al 6-50 mm ²	black	Cu 160 A Al 145 A	1000 V	5 mm	4 Nm (2,5-4mm ²) 12 Nm (6-50mm ²)	DIN rail	0.045	30
LK162	Al/Cu 16-95 mm ²	Gray	Cu 245 A Al 220 A	1000 V	5 mm	20 Nm	DIN rail/screw	0.091	30
LK162.2	Al/Cu 16-95 mm ²	Blue	Cu 245 A Al 220 A	1000 V	5 mm	20 Nm	DIN rail/screw	0.091	30
LK162.4	Al/Cu 16-95 mm ²	red	Cu 245 A Al 220 A	1000 V	5 mm	20 Nm	DIN rail/screw	0.091	30
LK162.6	Al/Cu 16-95 mm ²	black	Cu 245 A Al 220 A	1000 V	5 mm	20 Nm	DIN rail/screw	0.091	30
LK163	Al/Cu 35-150 mm ²	Gray	Cu 320 A Al 290 A	1000 V	8 mm	20 Nm (35-95mm ²) 30 Nm (120-150mm ²)	DIN rail/screw	0.143	30
LK163.2	Al/Cu 35-150 mm ²	Blue	Cu 320 A Al 290 A	1000 V	8 mm	20 Nm (35-95mm ²) 30 Nm (120-150mm ²)	DIN rail/screw	0.143	30
LK163.4	Al/Cu 35-150 mm ²	red	Cu 320 A Al 290 A	1000 V	8 mm	20 Nm (35-95mm ²) 30 Nm (120-150mm ²)	DIN rail/screw	0.143	30
LK163.6	Al/Cu 35-150 mm ²	black	Cu 320 A Al 290 A	1000 V	8 mm	20 Nm (35-95mm ²) 30 Nm (120-150mm ²)	DIN rail/screw	0.143	30

*The rated current in the table are for maximum cross-sections.

Dimensional drawing



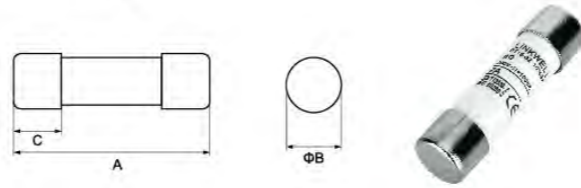


特性

The RT18 series fuse is consisted of fuse-link and fuse-base. The fuse-link is made up of fuse-element with variable cross-section or just a wire, either of which is enclosed in a fuse-tube of high strength ceramics. The fuse-tube is filled with special quartz sands in a particular density, acting as an arc-extinguish media. The fuse is of high breaking capacity, perfect current cutting-off characteristic and low power dissipation.

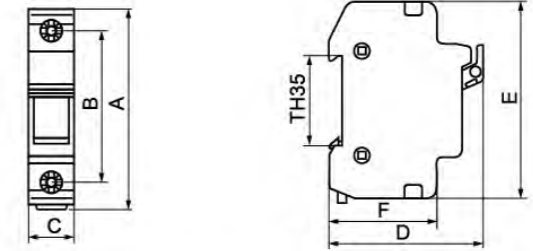
- One design, one series, suitable for being used by all power equipment manufacturers.
- RT series products have the lowest energy consumption design in the fuse industry, which is more energy-saving and eco-friendly.

Dimensional drawing



Model No.	Order number	Rated Voltage(V)	Rated Current(A)	Dimension(mm)		
				A	ΦB	C
RT18-32	2C50A10G38F	AC500	2	38	10.3	10
	4C50A10G38F	AC500	4			
	6C50A10G38F	AC500	6			
	8C50A10G38F	AC500	8			
	10C50A10G38F	AC500	10			
	16C50A10G38F	AC500	16			
	20C50A10G38F	AC500	20			
	25C50A10G38F	AC500	25			
32C40A10G38F	AC400	32				
RT18-63	10C50A14G51F	AC500	10	51	14.3	12
	16C50A14G51F	AC500	16			
	20C50A14G51F	AC500	20			
	25C50A14G51F	AC500	25			
	32C50A14G51F	AC500	32			
	36C50A14G51F	AC500	36			
	40C50A14G51F	AC500	40			
	50C50A14G51F	AC500	50			
63C40A14G51F	AC400	63				
RT18-125	20C50A22G58F	AC500	20	58	22.2	14
	25C50A22G58F	AC500	25			
	32C50A22G58F	AC500	32			
	36C50A22G58F	AC500	36			
	40C50A22G58F	AC500	40			
	50C50A22G58F	AC500	50			
	63C50A22G58F	AC500	63			
	80C50A22G58F	AC500	80			
100C50A22G58F	AC500	100				
125C40A22G58F	AC400	125				

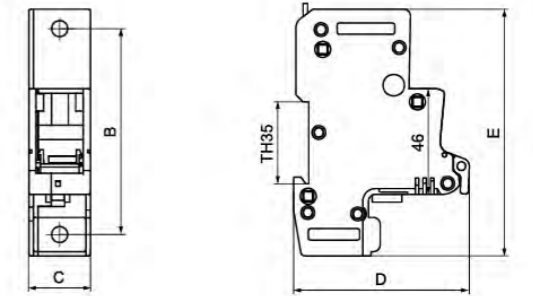
RT18-32/32X



RT18-32, RT18-32X, Xstands for Light Indicator Can be modularized to be 2P,3P,4P.

Model No.	Order number	Rated Voltage(V)	Rated Current(A)	Dimension(mm)					
				A	B	C	D	E	F
RT18-32	32K50A10F	AC500	32	80.5	62	17.5	62	78.5	43
RT18-32X	32XK50A10F	AC500	32						

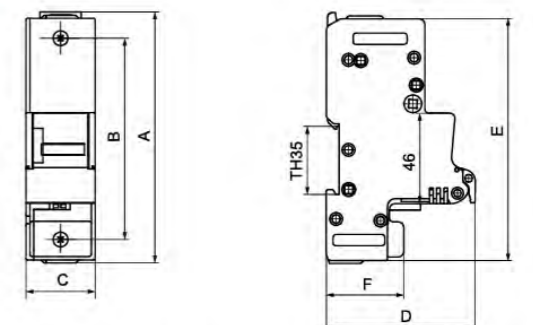
RT18-63L/63LX



RT18-63L, RT63LX Can be modularized to be 2P,3P,4P. L: stands for Lockable X: stands for Light Indicator.

Model No.	Order number	Rated Voltage(V)	Rated Current(A)	Dimension(mm)					
				A	B	C	D	E	F
RT18-63L	63K50A14F	AC500	63	-	90	27	77	108	-
RT18-63LX	63XK50A14F	AC500	63						

RT18-125L/125LX



RT18-125L, RT125LX Can be modularized to be 2P,3P,4P. L: stands for Lockable X: stands for Light Indicator.

Model No.	Order number	Rated Voltage(V)	Rated Current(A)	Dimension(mm)					
				A	B	C	D	E	F
RT18-125L	125K50A22F	AC500	125	128	103	35.5	76	123	39.6
RT18-125LX	125XK50A22F	AC500	125						



PT 1.5/S

PT 1.5/S	gray	3208100
PT 1.5/S BU	blue	3208126

Width / Length / Height	[mm]	3.5 / 45 / 32
Current / voltage	[A] / [V]	17.5 // 500 / 15 / 600
rigid / AWG, flexible / AWG	[mm ²], [-]	0.14-1.5 / 26-14, 0.14-1.5 / 26-14
Stranded with ferrule without	[mm ²]	0.14-1.5
Flexible with plastic sleeve	[mm ²]	0.14-1
Directly pluggable:with ferrule / rigid	[mm ²]	0.34-1.5 / 0.25-1.5

CE RoHS



PT 2.5

PT 2.5	gray	3209510
PT 2.5 BU	blue	3209523

Width / Length / Height	[mm]	5.2 / 48.5 / 36.5
Current / voltage	[A] / [V]	24 // 800 / 20 / 600
rigid / AWG, flexible / AWG	[mm ²], [-]	0.14-4 / 26-12, 0.14-2.5 / 26-14
Stranded with ferrule without	[mm ²]	0.14-2.5
Flexible with plastic sleeve	[mm ²]	0.14-2.5
Directly pluggable:with ferrule / rigid	[mm ²]	0.34-2.5 / 0.34-4

CE RoHS



PT 4

PT 4	gray	3211757
PT 4 BU	blue	3211760

Width / Length / Height	[mm]	6.2 / 56 / 36.5
Current / voltage	[A] / [V]	32 // 800 / 30 / 600
rigid / AWG, flexible / AWG	[mm ²], [-]	0.2-6 / 24-10 // 0.2-4 / 24-12
Stranded with ferrule without	[mm ²]	0.25-4
Flexible with plastic sleeve	[mm ²]	0.25-4
Directly pluggable:with ferrule / rigid	[mm ²]	0.5-4 / 0.5-6

CE RoHS

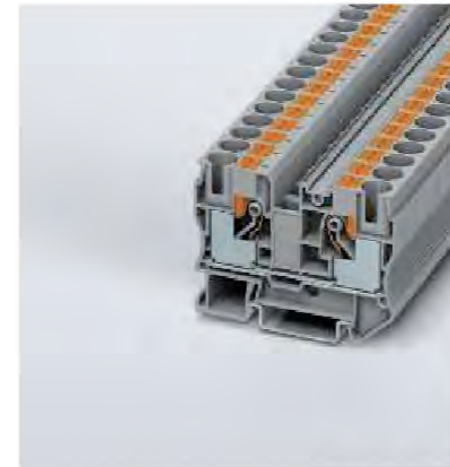


PT 6

PT 6	gray	3211813
PT 6 BU	blue	3211819

Width / Length / Height	[mm]	8.2 / 57.7 / 43.5
Current / voltage	[A] / [V]	41 // 1,000 / 40 / 600
rigid / AWG, flexible / AWG	[mm ²], [-]	0.5-10 / 20-8, 0.5-6 / 20-10
Stranded with ferrule without	[mm ²]	0.5-6
Flexible with plastic sleeve	[mm ²]	0.5-6
Directly pluggable:with ferrule / rigid	[mm ²]	1-6 / 1-10

CE RoHS



PT 10

PT 10	gray	3212120
PT 10 BU	blue	3212123

Width / Length / Height	[mm]	10.2 / 67.7 / 50.5
Current / voltage	[A] / [V]	57 // 1,000 / 60 / 600
rigid / AWG, flexible / AWG	[mm ²], [-]	0.5-16 / 20-6, 0.5-10 / 20-8
Stranded with ferrule without	[mm ²]	0.5-10
Flexible with plastic sleeve	[mm ²]	0.5-10
Directly pluggable:with ferrule / rigid	[mm ²]	4-10 / 1-16

CE RoHS



PT 16

PT 16	gray	3212138
PT 16 BU	blue	3212142

Width / Length / Height	[mm]	12.2 / 75.4 / 52.6
Current / voltage	[A] / [V]	76 // 1,000 / 85 / 600
rigid / AWG, flexible / AWG	[mm ²], [-]	0.5-25 / 20-4, 0.5-16 / 20-6
Stranded with ferrule without	[mm ²]	0.5-16
Flexible with plastic sleeve	[mm ²]	0.5-16
Directly pluggable:with ferrule / rigid	[mm ²]	2.5-16 / 2.5-25

CE RoHS



PT 2.5-TWIN

PT 2.5-TWIN	gray	3209549
PT PT 2.5-TWIN BU	blue	3209552

Width / Length / Height	[mm]	5.2 / 60.5 / 36.5
Current / voltage	[A] / [V]	24 // 800 / 20 / 600
rigid / AWG, flexible / AWG	[mm ²], [-]	0.14-4 / 26-12, 0.14-2.5 / 26-14
Stranded with ferrule without	[mm ²]	0.14-2.5
Flexible with plastic sleeve	[mm ²]	0.14-2.5
Directly pluggable:with ferrule / rigid	[mm ²]	0.34-2.5 / 0.34-4

CE RoHS



PT 4-TWIN

PT 4-TWIN	gray	3211771
PT 4-TWIN BU	blue	3211775

Width / Length / Height	[mm]	6.2 / 66.5 / 36.5
Current / voltage	[A] / [V]	32 // 800 / 30 / 600
rigid / AWG, flexible / AWG	[mm ²], [-]	0.2-6 / 24-10, 0.2-4 / 24-12
Stranded with ferrule without	[mm ²]	0.25-4
Flexible with plastic sleeve	[mm ²]	0.25-4
Directly pluggable:with ferrule / rigid	[mm ²]	0.5-4 / 0.5-6

CE RoHS



PT 4-TWIN

PT 4-TWIN	gray	3211771
PT 4-TWIN BU	blue	3211775
PT 4-TWIN-PE	green-yellow	3211780

Width / Length / Height	[mm]	6.2 / 66.5 / 36.5
Current / voltage	[A] / [V]	32 // 800 / 30 / 600
rigid / AWG, flexible / AWG	[mm ²], [-]	0.2-6 / 24-10, 0.2-4 / 24-12
Stranded with ferrule without	[mm ²]	0.25-4
Flexible with plastic sleeve	[mm ²]	0.25-4
Directly pluggable:with ferrule / rigid	[mm ²]	0.5-4 / 0.5-6

UL CE RoHS



PT 2.5-QUATTRO

PT 2.5-QUATTRO	gray	3209578
-	gray	-
PT 2.5-QUATTRO BU	blue	3209581

Width / Length / Height	[mm]	5.2 / 72.2 / 36.8
Current / voltage	[A] / [V]	24 // 800 / 20 / 600
rigid / AWG, flexible / AWG	[mm ²], [-]	0.14-4 / 26-12, 0.14-2.5 / 26-14
Stranded with ferrule without	[mm ²]	0.14-2.5
Flexible with plastic sleeve	[mm ²]	0.14-2.5
Directly pluggable:with ferrule / rigid	[mm ²]	0.34-2.5 / 0.34-4

CE RoHS



PTTB 2.5

PTTB 2.5	gray	3210567
PTTB 2.5-PV	gray	3210583
PTTB 2.5 BU	blue	3210570

Width / Length / Height	[mm]	5.2 / 68 / 47.5
Current / voltage	[A] / [V]	22 // 500 / 20 / 600
rigid / AWG, flexible / AWG	[mm ²], [-]	0.14-4 / 26-12, 0.14-2.5 / 26-14
Stranded with ferrule without	[mm ²]	0.14-2.5
Flexible with plastic sleeve	[mm ²]	0.14-2.5
Directly pluggable:with ferrule / rigid	[mm ²]	0.34-2.5 / 0.34-4

CE RoHS



PTTB 4

PTTB 4	gray	3211786
PTTB 4-PV	gray	3211825
PTTB 4 BU	blue	3211793

Width / Length / Height	[mm]	6.2 / 83.5 / 47.5
Current / voltage	[A] / [V]	28 // 500 / 28 / 600
rigid / AWG, flexible / AWG	[mm ²], [-]	0.2-6 / 24-10, 0.2-4 / 24-12
Stranded with ferrule without	[mm ²]	0.25-4
Flexible with plastic sleeve	[mm ²]	0.25-4
Directly pluggable:with ferrule / rigid	[mm ²]	0.5-4 / 0.5-6

CE RoHS



CE RoHS

PT 2.5-PE

PT 2.5-PE	green-yellow	3209536
-----------	--------------	---------

Width / Length / Height	[mm]	5.2 / 48.5 / 36.5
rigid / AWG, flexible / AWG	[mm ²], [-]	0.14-4 / 26-12, 0.14-2.5 / 26-14
Stranded with ferrule without	[mm ²]	0.14-2.5
Flexible with plastic sleeve	[mm ²]	0.14-2.5
Directly pluggable:with ferrule / rigid	[mm ²]	0.34-2.5 / 0.34-4



CE RoHS

PT 4-PE

PT 4-PE	green-yellow	3211766
---------	--------------	---------

Width / Length / Height	[mm]	6.2 / 56 / 36.5
rigid / AWG, flexible / AWG	[mm ²], [-]	0.2-6 / 24-10 // 0.2-4 / 24-12
Stranded with ferrule without	[mm ²]	0.25-4
Flexible with plastic sleeve	[mm ²]	0.25-4
Directly pluggable:with ferrule / rigid	[mm ²]	0.5-4 / 0.5-6



CE RoHS

PTTB 2.5-PE

PTTB 2.5-PE	green-yellow	3210596
-------------	--------------	---------

Width / Length / Height	[mm]	5.2 / 68 / 47.5
rigid / AWG, flexible / AWG	[mm ²], [-]	0.14-4 / 26-12, 0.14-2.5 / 26-14
Stranded with ferrule without	[mm ²]	0.14-2.5
Flexible with plastic sleeve	[mm ²]	0.14-2.5
Directly pluggable:with ferrule / rigid	[mm ²]	0.34-2.5 / 0.34-4



CE RoHS

LUK 2.5B

32A 800V IEC 60947-7-1

Solid cross section: 0.2-4mm ²
Stranded cross section: 0.2-2.5mm ²
Size: T6.2×H40.6×W42.6mm
Zack strip (ZB6)

Parameters

(1)End cover: T1.5mm Grey	D-LUK 2.5	
(2)Fixed bridge: 2 poles 3poles	FBI 10-6	
(3)Insertion bridge poles: 2 poles 3poles 10poles	EB 2-6; EB 3-6; EB 10-6	
(4)Switching jumper: Complete set, need to add end cover between the two terminals	LUSBR 2-7	
(5)Separating plate: Used for electrical isolation between adjacent bridges, inserted afterwards, does not occupy any space on the rails	-	
(6)Partition plate: T1.5mm	ATP-LUK	
(7)End clamp	E/ LUK	



CE RoHS

LUK 3N

32A 800V IEC 60947-7-1

Solid cross section: 0.2-4mm ²
Stranded cross section: 0.2-2.5mm ²
Size: T5.2×H46×W42.7
Zack strip (ZB5)

Parameters

(1)End cover: T1.5mm Grey	D-LUK 4/10	
(2)Fixed bridge: 2 poles 3poles	FBI 10-5	
(3)Insertion bridge poles: 2 poles 3poles 10poles	EB 2-5; EB 3-5; EB 10-5	
(4)Switching jumper: Complete set, need to add end cover between the two terminals	-	
(5)Separating plate: Used for electrical isolation between adjacent bridges, inserted afterwards, does not occupy any space on the rails	TS-K	
(6)Partition plate: T1.5mm	-	
(7)End clamp	E/ LUK	



CE RoHS

LUK 5N

41A 800V IEC 60947-7-1

Solid cross section: 0.2-6mm²Stranded cross section: 0.2-4mm²

Size: T6.2×H46.2×W42.6mm

Zack strip (ZB6)

Parameters

(1)End cover: T1.5mm Grey	D-LUK 4/10	
(2)Fixed bridge: 2 poles 3poles	FBI 10-6	
(3)Insertion bridge poles: 2 poles 3poles 10poles	EB 2-6; EB 3-6; EB 10-6	
(4)Switching jumper: Complete set, need to add end cover between the two terminals	LUSBR 2-7	
(5)Separating plate: Used for electrical isolation between adjacent bridges, inserted afterwards, does not occupy any space on the rails	TS-K	
(6)Partition plate: T1.5mm	ATP-LUK	
(7)End clamp	E/LUK	



CE RoHS

LUK 6N

57A 800V IEC 60947-7-1

Solid cross section: 0.2-10mm²Stranded cross section: .2-6mm²

Size: T8.2×H46×W42.7mm

Zack strip (ZB8)

Parameters

(1)End cover: T1.5mm Grey	D-LUK 4/10	
(2)Fixed bridge: 2 poles 3poles	FBI 10-8	
(3)Insertion bridge poles: 2 poles 3poles 10poles	EB 2-8; EB 3-8; EB 10-8	
(4)Switching jumper: Complete set, need to add end cover between the two terminals	LUR 2-8/13	
(5)Separating plate: Used for electrical isolation between adjacent bridges, inserted afterwards, does not occupy any space on the rails	TS-K	
(6)Partition plate: T1.5mm	ATP-LUK	
(7)End clamp	E/LUK	



CE RoHS

LUK 10N

76A 800V IEC 60947-7-1

Solid cross section: 0.5-16mm²Stranded cross section: 0.5-10mm²

Size: T10.2×H42.8×W42.5mm

Zack strip (ZB10)

Parameters

(1)End cover: T1.5mm Grey	D-LUK 4/10	
(2)Fixed bridge: 2 poles 3poles	FBI 10-10	
(3)Insertion bridge poles: 2 poles 3poles 10poles	EB 2-10; EB 3-10; EB 10-10	
(4)Switching jumper: Complete set, need to add end cover between the two terminals	-	
(5)Separating plate: Used for electrical isolation between adjacent bridges, inserted afterwards, does not occupy any space on the rails	TS-K	
(6)Partition plate: T1.5mm	ATP-LUK	
(7)End clamp	E/LUK	



CE RoHS

LUK 16N

100A 800V IEC 60947-7-1

Solid cross section: 2.5-25mm²Stranded cross section: 4-16mm²

Size: T12.2×H52.2×W42.5mm

Zack strip (ZB10)

Parameters

(1)End cover: T1.5mm Grey	D-LUK 16	
(2)Fixed bridge: 2 poles 3poles	FBI 10-12	
(3)Insertion bridge poles: 2 poles 3poles 10poles	EB 2-12; EB 3-12; EB 10-12	
(4)Switching jumper: Complete set, need to add end cover between the two terminals	-	
(5)Separating plate: Used for electrical isolation between adjacent bridges, inserted afterwards, does not occupy any space on the rails	TS-K	
(6)Partition plate: T1.5mm	ATP-LUK	
(7)End clamp	E/LUK	

LUK series Terminal block



LUK 35N
125A 800V IEC 60947-7-1

Solid cross section: 10-35mm²
Stranded cross section: 10-35mm²
Size: T15.2×H52.7×W50.7mm
Zack strip (ZB10)

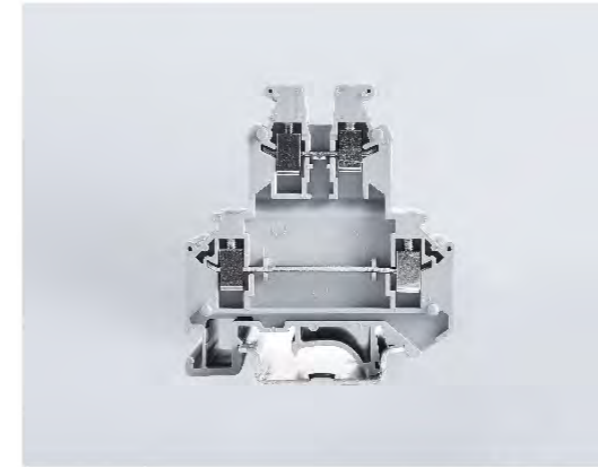
CE RoHS

Parameters

(1)End cover: T1.5mm Grey	-	
(2)Fixed bridge: 2 poles 3poles	FBI 2-15; FBI 3-15	
(3)Insertion bridge poles: 2 poles 3poles 10poles	EB 2-15; EB 3-15; EB 10-15	
(4)Switching jumper: Complete set, need to add end cover between the two terminals	-	
(5)Separating plate: Used for electrical isolation between adjacent bridges, inserted afterwards, does not occupy any space on the rails	TS-K	
(6)Partition plate: T1.5mm	-	
(7)End clamp	E/LUK	



LUK series Double layer terminal block



LUKK 3
32A 500V IEC 60947-7-1

Solid cross section: 0.2-4mm²
Stranded cross section: 0.2-2.5mm²
Size: T5.2×H61.4×W56.8mm
Zack strip (ZB5)

CE RoHS

Parameters

(1)End cover: Grey	D-LUKK 3/5	
(2)Space compensation plate: Used to offset interlayer misalignment when placed adjacent to a normal terminal: thickness 2.5mm gray	DG-LUKK 3/5	
(3)Space compensation plate: Used to offset interlayer misalignment when placed adjacent to a normal terminal: thickness 2.5mm	DP-LUKK 3/5	
(4)Insertion bridge poles: 2 poles 3poles 10poles	EB 2-5; EB 3-5; EB 10-5	
(5)With insulation pads bridge pieces: 10 poles, divisible, 10 screws, in order to form a jumper that skips some of the terminals, it needs to be padded	FBI 10-5	



LUKK 5
32A 500V IEC 60947-7-1

Solid cross section: 0.2-4mm²
Stranded cross section: 0.2-4mm²
Size: T6.2×H61.2×W56.5mm
Zack strip (ZB6)

CE RoHS

Parameters

(1)End cover: Grey	D-LUKK 3/5	
(2)Space compensation plate: Used to offset interlayer misalignment when placed adjacent to a normal terminal: thickness 2.5mm gray	DG-LUKK 3/5	
(3)Space compensation plate: Used to offset interlayer misalignment when placed adjacent to a normal terminal: thickness 2.5mm	DP-LUKK 3/5	
(4)Insertion bridge poles: 2 poles 3poles 10poles	EB 2-6; EB 3-6; EB 10-6	
(5)With insulation pads bridge pieces: 10 poles, divisible, 10 screws, in order to form a jumper that skips some of the terminals, it needs to be padded	FBI 10-6	

LUK series Double layer terminal block



CE RoHS

LUKKB 3
32A 500V IEC 60947-7-1

Solid cross section: 0.2-4mm²
Stranded cross section: 0.2-2.5mm²
Size: T5.8×H61.2×W67.7mm
Zack strip (ZB5)

Parameters

(1)End cover: Grey	D-LUKKB 3/5	
(2)Space compensation plate: Used to offset interlayer misalignment when placed adjacent to a normal terminal: thickness 2.5mm gray	DG-LUKKB 3/5	
(3)Space compensation plate: Used to offset interlayer misalignment when placed adjacent to a normal terminal: thickness 2.5mm	DP-LUKKB 3/5	
(4)Insertion bridge poles: 2 poles 3poles 10poles	EB 2-5; EB 3-5; EB 10-5	
(5)With insulation pads bridge pieces: 10 poles, divisible, 10 screws, in order to form a jumper that skips some of the terminals, it needs to be padded	FBI 10-5	
(6)End clamp: Suitable for mounting rails of type or for supporting double deck.	E/LUK	



CE RoHS

LUKKB 5
32A 500V IEC 60947-7-1

Solid cross section: 0.2-4mm²
Stranded cross section: 0.2-2.5mm²
Size: T6.3×H61.2×W67.6mm
Zack strip (ZB6)

Parameters

(1)End cover: Grey	D-LUKKB 3/5	
(2)Space compensation plate: Used to offset interlayer misalignment when placed adjacent to a normal terminal: thickness 2.5mm gray	DG-LUKKB 3/5	
(3)Space compensation plate: Used to offset interlayer misalignment when placed adjacent to a normal terminal: thickness 2.5mm	DP-LUKKB 3/5	
(4)Insertion bridge poles: 2 poles 3poles 10poles	EB 2-6; EB 3-6; EB 10-6	
(5)With insulation pads bridge pieces: 10 poles, divisible, 10 screws, in order to form a jumper that skips some of the terminals, it needs to be padded	FBI 10-6	
(6)End clamp: Suitable for mounting rails of type or for supporting double deck.	E/LUK	



LUK series Double layer terminal block



CE RoHS

LMBKKB 2.5
24A 500V IEC 60947-7-1

Solid cross section: 0.2-4mm²
Stranded cross section: 0.2-2.5mm²
Size: T5.2×H47.4×W61.9mm
Zack strip (ZB5)

Parameters

(1)End cover: Grey	D-LMBKKB 2.5	
(2)Space compensation plate: Used to offset interlayer misalignment when placed adjacent to a normal terminal: thickness 2.5mm gray	DG-LMBKKB 2.5	
(3)Space compensation plate: Used to offset interlayer misalignment when placed adjacent to a normal terminal: thickness 2.5mm	DP-LMBKKB 2.5	
(4)Insertion bridge poles: 2 poles 3poles 10poles	EB 2-5; EB 3-5; EB 10-5	
(5)With insulation pads bridge pieces: 10 poles, divisible, 10 screws, in order to form a jumper that skips some of the terminals, it needs to be padded	FBI 10-5	
(6)End clamp: Suitable for mounting rails of type or for supporting double deck.	E/LUK	





LUK 5-HESI

6.3A 800V IEC 60947-7-1

Solid cross section: 0.2-4mm²
 Stranded cross section: 0.2-4mm²
 Size: T8.2×H46.2×W72.6mm
 Zack strip (ZB8)

*The current is determined by the fuse
 *The voltage is determined by the indicator light

With or without indicator light

CE RoHS

Parameters

(1) Consumed current with indicator: Suitable for C or U type guide rails, For fuse 5x20, 5x25, 6.3x32mm, indicators are optional	-	
(2) Consumed current with indicator: 15-24V AC/DC, 3.5-7.5mA	-	
(3) Consumed current with indicator: 110-250V AC/DC, 1.5-3.5mA AC, 0.2-0.8mA DC	-	
(4) Consumed current with indicator: 15-24V AC/DC, 3.5-7.5mA	LUK5-HESI LED 24	
(5) Consumed current with indicator: 110-250V AC/DC, 1.5-3.5mA AC, 0.2-0.8mA DC	LUK5-HESI LED 250	
(6) Fixed bridge: Terminal center short connection, 10 poles, divisible, 10 screws, with insulating sleeve	-	
(7) Insertion bridge poles: 2 poles 3poles 10poles	EB 2-8; EB 3-8; EB 10-8	



LUK 10-DREHSI

10A 800V IEC 60947-7-1

Solid cross section: 0.5-16mm²
 Stranded cross section: 0.5-16mm²
 Size: T12.3×H55×W61.5mm
 Zack strip (ZB8)

With or without indicator light

CE RoHS

Parameters

(1) Consumed current with indicator: Suitable for C or U type guide rails, For fuse 5x20, 5x25, 6.3x32mm, indicators are optional	LUX10-DREHSI 5×20	
(2) Consumed current with indicator: 15-24V AC/DC, 3.5-7.5mA	LUX10-DREHSI LED 24 5×20	
(3) Consumed current with indicator: 110-250V AC/DC, 1.5-3.5mA AC, 0.2-0.8mA DC	LUX10-DREHSI LED 250 5×20	
(4) Consumed current with indicator: 15-24V AC/DC, 3.5-7.5mA	-	
(5) Consumed current with indicator: 110-250V AC/DC, 1.5-3.5mA AC, 0.2-0.8mA DC	-	
(6) Fixed bridge: Terminal center short connection, 10 poles, divisible, 10 screws, with insulating sleeve	FBI 10-12	
(7) Insertion bridge poles: 2 poles 3poles 10poles	EB 2-12; EB 3-12; EB 10-12	



LUKH 50

150A 1000V IEC 60947-7-1

Solid cross section: 16-50mm²
 Stranded cross section: 25-50mm²
 Size: T20×H76.2×W71.2mm
 Zack strip (ZB10)

CE RoHS

Parameters

(1) Insertion bridge: insulated, inserted into the terminal clamp body and embedded in the terminal housing, 2 poles or 3poles	-	
(2) Din rail type	E/AL-NS 35	



LUKH 95

232A 1000V IEC 60947-7-1

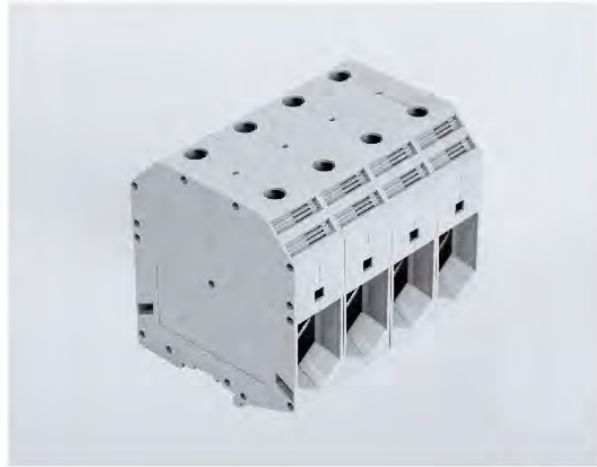
Solid cross section: 25-95mm²
 Stranded cross section: 35-95mm²
 Size: T25×H91×W83.9mm
 Zack strip (ZB10)

CE RoHS

Parameters

(1) Insertion bridge: insulated, inserted into the terminal clamp body and embedded in the terminal housing, 2 poles or 3poles	EB 2-25; EB 3-25	
(2) Din rail type	E/AL-NS 35	

LUK series Terminal block



CE RoHS

LUKH 150
309A 1000V IEC 60947-7-1

Solid cross section: 35-150mm²
Stranded cross section: 50-150mm²
Size: T31.5×H111.2×W100.1mm
Zack strip (ZB10)

Parameters

(1) Insertion bridge: insulated, inserted into the terminal clamp body and embedded in the terminal housing, 2 poles or 3poles	-	
(2) Din rail type	E/AL-NS 35	



CE RoHS

LUKH 240
415A 1000V IEC 60947-7-1

Solid cross section: 70-240mm²
Stranded cross section: 70-240mm²
Size: T36×H122.5×W101.5mm
Zack strip (ZB10)

Parameters

(1) Insertion bridge: insulated, inserted into the terminal clamp body and embedded in the terminal housing, 2 poles or 3poles	-	
(2) Din rail type	E/AL-NS 35	



LMTK series Knife disconnect terminal block



CE RoHS

LUK 5-MTK-P/P
16A 800V IEC 60947-7-1

Solid cross section: 0.2-4mm²
Stranded cross section: 0.2-4mm²
Size: T6.2×H62×W51.6mm
Zack strip (ZB6)

Parameters

(1) Insertion bridge: insulated 2 poles, insulated 3poles, divisible, back insulated 10 poles	EB 2-6; EB 3-6; EB 10-6	
(2) End cover: Grey	Closed housing, no need cover.	

LUDK series Terminal block



CE RoHS

LUDK 4
32A 690V IEC 60947-7-1

Solid cross section: 0.2-4mm²
Stranded cross section: 0.2-2.5mm²
Size: T6.2×H45.5×W58.4mm
Zack strip (ZB6)

Parameters

(1) End cover: Grey	D-LUDK 4	
(2) Fixed bridge: for cross connection at terminal center, 10 screws, screw head with insulate collar, 10 poles, divisible	FBI 10-6	
(3) Insertion bridge: insulated 2 poles, insulated 3poles, divisible, back insulated 10 poles	EB 2-6; EB 3-6; EB 10-6	
(4) End clamp: mounting at the terminal end, W10mm, for DIN Rail or to support double terminal rows	E/LUK	

LUK series Universal terminal block

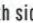



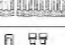
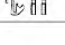


CE RoHS

LURTK/S
57A 400V IEC 60947-7-1

Solid cross section: 0.5-10mm²
Stranded cross section: 0.5-6mm²
Size: T8.1×H50.9×W72.5mm
Zack strip (ZB8)

Parameters

(1) Knife disconnect terminal: universal mounting clamp for DIN Rail type  or  test socket available at both sides	-	
(2) End cover: Grey	D-LURTK/S	
(3) Fixed bridge: divisible to disconnect the neighbouring terminal connections on both sides 10 poles, divisible, with 10 screws	FB10-LRTK/S	
(4) Insertion bridge: insulated 2 poles, insulated 3poles, divisible, back insulated 10 poles	EB 2-8; EB 3-8; EB 10-8	
(5) Switching jumper: on both sides of the disconnect point, switching inward, with 2 screws	LUSB2-LRTK/S	

LBK series Quaternity universal terminal block

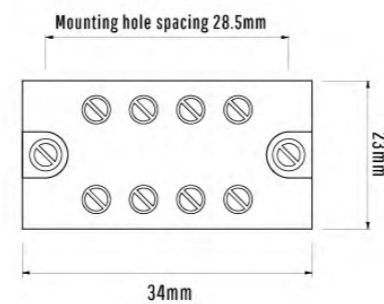


CE RoHS

LBK 4
41A 800V IEC 60947-7-1

Solid cross section: 0.2-6mm²
Stranded cross section: 0.2-4mm²
Size: T20.5×H23×W34mm
Colour: RAL7035
Mounting: panel screw fixing M3

Dimensional drawing



LUK series Earth terminal block



CE RoHS

LUSLKG 2.5
IEC 60947-7-2

Solid cross section: 0.2-4mm²
Stranded cross section: 0.2-2.5mm²
Size: T6.2×H42×W42.9mm
Zack strip (ZB6)



CE RoHS

LUSLKG 3
IEC 60947-7-2

Solid cross section: 0.2-4mm²
Stranded cross section: 0.2-2.5mm²
Size: T5.2×H46×W42.9mm
Zack strip (ZB5)



CE RoHS

LUSLKG 5
IEC 60947-7-2

Solid cross section: 0.2-4mm²
Stranded cross section: 0.2-4mm²
Size: T6.2×H46×W43.1mm
Zack strip (ZB6)



CE RoHS

LUSLKG 6

IEC 60947-7-2

Solid cross section: 0.2-10mm²

Stranded cross section: 0.2-6mm²

Size: T8.2×H46×W42.6mm

Zack strip (ZB6)



CE RoHS

LUSLKG 10

IEC 60947-7-2

Solid cross section: 0.5-16mm²

Stranded cross section: 0.5-10mm²

Size: T10.2×H46×W42.4mm

Zack strip (ZB10)



CE RoHS

LUSLKG 16

IEC 60947-7-2

Solid cross section: 2.4-25mm²

Stranded cross section: 4-16mm²

Size: T12.2×H46×W43.1mm

Zack strip (ZB10)



CE RoHS

LUSLKG 35

IEC 60947-7-2

Solid cross section: 10-35mm²

Stranded cross section: 10-35mm²

Size: T15.2×H62×W50.3mm

Zack strip (ZB10)



CE RoHS

LUSLKG 50

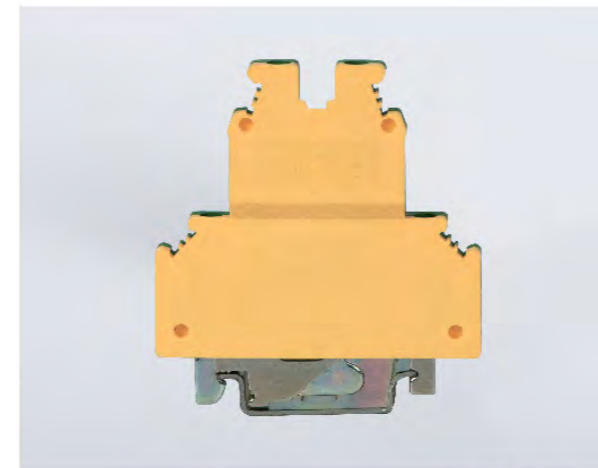
IEC 60947-7-2

Solid cross section: 16-50mm²

Stranded cross section: 25-50mm²

Size: T20.5×H83.5×W71mm

Zack strip (ZB10)



CE RoHS

LUKK5-PE

IEC 60947-7-2

Solid cross section: 0.2-4mm²

Stranded cross section: 0.2-4mm²

Size: T6.2×H63×W56.8mm

Zack strip (ZB6)

SCHT Terminal strip identification



SCHT 3S

LKLM-A

Insert strip-sheet, with locator holes and lines

Used for terminal strip markers KLM1

Lettering area size: 24×4mm

Terminal strip marker: for strip marking

Adjustable height, mount on DIN Rail E/UK-NS or E/NS/35N used marker pen B-STIFT or CMS system

Marking for insert strip ES/KLM 2-GB

Lettering area size: 44×7mm

Terminal strip marker:

Same above, without insert strip marker ES/KLM 2-GB



Packing units

50



B1/B2 (Grey)

Terminal strip marker: for strip marking

Mounting on DIN Rail  or , with insert strip marker

Used B-STIFT or CMS system to mark the strip

Lettering field size: 40×17mm

Packing units

10

E/LMK End clamp



E/LMK 1

E/LMK 1



End clamp: mount on  DIN Rail NS15, T6mm

Mounting hole Φ 3.2mm, material: KRILEN



E/LUK

E/LUK

End clamp: mount on DIN Rail , ,

fit for KLM strip marker or 1 piece of label No...8, T9.5mm

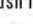
Material: KRILEN



E/AL-NS 35

E/AL-NS35

End clamp: enhanced design, made of aluminum,

To support end 50-240mm² of the terminal strips, push mounting on  DIN Rail

Clamped by 2 screws and, fit for 2 piece of label No...10, T10mm



ZB/DEK Marker strip



ZB

Model No. Blank	Model NO.	Model NO.
ZB4-BLANK	ZB5 1-10	ZB6 1-10
ZB5-BLANK	ZB5 11-20	ZB6 11-20
ZB6-BLANK	ZB5 21-30	ZB6 21-30
ZB8-BLANK	ZB5 31-40	ZB6 31-40
ZB10-BLANK	ZB5 41-50	ZB6 41-50
DEK5-BLANK	ZB5 51-60	ZB6 51-60
DEK6-BLANK	ZB5 61-70	ZB6 61-70
	ZB5 71-80	ZB6 71-80
	ZB5 81-90	ZB6 81-90
	ZB5 91-100	ZB6 91-100
	ZB8 1-10	ZB10 1-10
	ZB8 11-20	ZB10 11-20
	ZB8 21-30	ZB10 21-30
	ZB8 31-40	ZB10 31-40
	ZB8 41-50	ZB10 41-50
	ZB8 51-60	ZB10 51-60
	ZB8 61-70	ZB10 61-70
	ZB8 71-80	ZB10 71-80
	ZB8 81-90	ZB10 81-90
	ZB8 91-100	ZB10 91-100

DEK

Model NO.	Model NO.	Model NO.
ZB4 1-10	DEK5 1-10	DEK6 1-10
ZB4 11-20	DEK5 11-20	DEK6 11-20
ZB4 21-30	DEK5 21-30	DEK6 21-30
ZB4 31-40	DEK5 31-40	DEK6 31-40
ZB4 41-50	DEK5 41-50	DEK6 41-50
ZB4 51-60	DEK5 51-60	DEK6 51-60
ZB4 61-70	DEK5 61-70	DEK6 61-70
ZB4 71-80	DEK5 71-80	DEK6 71-80
ZB4 81-90	DEK5 81-90	DEK6 81-90
ZB4 91-99	DEK5 91-100	DEK6 91-100

LSAK series Economy type terminal connection



CE RoHS

LSAK 2.5EN

24A 800V IEC 60947-7-1




Stranded cross: 0.2-2.5mm²

Connection type: Screw connection

Size: T6.1×H40.4×W40.9mm

UL 94 V0

Parameters

(1)End cover: T1.5mm	AP 2.5	
(2)Centre type jumper bar: 10 potential, 2, 3, 4 potential	2.5 EN, Q2 poles, 3 poles, 10 poles	
(3)End clamp	LEW 35	
(4)Continuous number of printing	DEK 5/6(1...10)	



CE RoHS

LSAK 4EN

32A 800V IEC 60947-7-1





Stranded cross: 0.2-4mm²

Connection type: Screw connection

Size: T6.5×H45.3×W40.6mm

UL 94 V0

Parameters

(1)End cover: T1.5mm	AP 4-10	
(2)Centre type jumper bar: 10 potential, 2, 3, 4 potential	4 EN, Q2 poles, 3 poles, 10 poles	
(3)End clamp	LEW 35	
(4)Continuous number of printing	DEK 6(1...10)	



LSAK series Economy type terminal connection



CE RoHS

LSAK 6EN

41A 800V IEC 60947-7-1




Stranded cross: 0.2-6mm²

Connection type: Screw connection

Size: T7.9×H45×W39.9mm

UL 94 V0

Parameters

(1)End cover: T1.5mm	AP 4-10	
(2)Centre type jumper bar: 10 potential, 2, 3, 4 potential	6 EN, Q2 poles, 3 poles, 10 poles	
(3)End clamp	LEW 35	
(4)Continuous number of printing	DEK 6(1...10)	



CE RoHS

LSAK 10EN

57A 800V IEC 60947-7-1


Stranded cross: 0.5-10mm²

Connection type: Screw connection

Size: T10×H45.2×W40.5mm

UL 94 V0

Parameters

(1)End cover: T1.5mm	AP 4-10	
(2)Centre type jumper bar: 10 potential, 2, 3, 4 potential	10 EN, Q2 poles, 3 poles, 10 poles	
(3)End clamp	LEW 35	
(4)Continuous number of printing	DEK 6(1...10)	

LSAK series Economy type terminal connection



CE RoHS

LSAK 16EN

76A 800V IEC 60947-7-1





Stranded cross: 0.5-16mm²

Connection type: Screw connection

Size: T12×H51.2×W50.3mm

UL 94 V0

Parameters

(1)End cover: T1.5mm	AP 16	
(2)Centre type jumper bar: 10 potential, 2, 3, 4 potential	16 EN, Q2 poles, 3 poles, 10 poles	
(3)End clamp	LEW 35	
(4)Continuous number of printing	DEK 5/6(1...10)	



CE RoHS

LSAK 35EN

125A 800V IEC 60947-7-1





Stranded cross: 10-35mm²

Connection type: Screw connection

Size: T18.2×H61.6×W58.5mm

UL 94 V0

Parameters

(1)End cover: T1.5mm	AP 35	
(2)Centre type jumper bar: 10 potential, 2, 3, 4 potential	35 EN, Q2 poles, 3 poles, 10 poles	
(3)End clamp	LEW 35	
(4)Continuous number of printing	DEK 6(1...10)	



LSAK series Economy type terminal connection



CE RoHS

LASK1 EN

6.3A 500V IEC 60947-7-1

Stranded cross: 0.2-4mm²

Connection type: Screw connection

Size: T8.1×H39×W52.1mm

UL 94 V0

Parameters

(1)End cover: T1.5mm	AP-LASK 1	
(3)End clamp	LEW 35	
(4)Continuous number of printing	DEK 6(1...10)	



LINKWELL

EK series Economy type terminal connection



CE RoHS

EK 2.5/35

IEC 60947-7-1

Stranded cross: 0.2-2.5mm²

Connection type: Screw connection

Size: T6.6×H36.5×W56.5mm

UL 94 V0



CE RoHS

EK 4/35

IEC 60947-7-1

Stranded cross: 0.2-4mm²

Connection type: Screw connection

Size: T6.6×H40.3×W57.4mm

UL 94 V0



CE RoHS

EK 6/35

IEC 60947-7-1

Stranded cross: 0.2-6mm²

Connection type: Screw connection

Size: T8×H40.4×W57.1mm

UL 94 V0



EK series Economy type terminal connection



CE RoHS

EK 10/35

IEC 60947-7-1

Stranded cross: 0.5-10mm²

Connection type: Screw connection

Size: T10×H40.3×W56.8mm

UL 94 V0



CE RoHS

EK 16/35

IEC 60947-7-1

Stranded cross: 0.5-16mm²

Connection type: Screw connection

Size: T12×H46.5×W57.2mm

UL 94 V0



CE RoHS

EK 35/35

IEC 60947-7-1

Stranded cross: 10-35mm²

Connection type: Screw connection

Size: T16×H56.6×W58.6mm

UL 94 V0

JXB series Economy type terminal connection

**JXB-2.5/35**

26A 750V IEC 60947-7-1

Stranded cross: 0.2-2.5mm²





Connection type: Screw connection

Size: T6.2×H40.5×W44.8mm

UL 94 V0

CE RoHS

Parameters

(1)End cover: T1.5mm	JXB-2.5/35G	
(2)Centre type jumper bar: 10 potential	2-10 poles	
(3)End clamp	GD 35	
(4)Continuous number of printing	DEK 5/6	

**JXB-4/35**

34A 750V IEC 60947-7-1

Stranded cross: 0.2-4mm²

Connection type: Screw connection

Size: T6.4×H43.7×W44.5mm

UL 94 V0

CE RoHS

Parameters

(1)End cover: T1.5mm	JXB-4/10G	
(2)Centre type jumper bar: 10 potential	JXB-4L, 2-10 poles	
(3)End clamp	GD 35	
(4)Continuous number of printing	DEK 6 printing	



JXB series Economy type terminal connection

**JXB-6/35**

44A 750V IEC 60947-7-1

Stranded cross: 0.2-6mm²

Connection type: Screw connection

Size: T7.8×H43.6×W44.6mm

UL 94 V0

CE RoHS

Parameters

(1)End cover: T1.5mm	JXB-4/10G	
(2)Centre type jumper bar: 10 potential	JXB-6L, 2-10 poles	
(3)End clamp	GD 35	
(4)Continuous number of printing	DEK 6 printing	

**JXB-10/35**

76A 750V IEC 60947-7-1

Stranded cross: 0.5-16mm²


Connection type: Screw connection

Size: T12×H51.5×W50.5mm

UL 94 V0

CE RoHS

Parameters

(1)End cover: T1.5mm	JXB-16/35G	
(2)Centre type jumper bar: 10 potential	JXB-16L, 2-10 poles	
(3)End clamp	GD 35	
(4)Continuous number of printing	DEK 6 printing	

JXB series Economy type terminal connection



CE RoHS

JXB-35/35

125A 750V IEC 60947-7-1

Stranded cross: 10-35mm²
 Connection type: Screw connection
 Size: T18×H61.4×W58.4mm
 UL 94 V0

Parameters

(1)End cover: T1.5mm	JXB-35/35G	
(2)Centre type jumper bar: 10 potential	JXB-35L, 2-10 poles	
(3)End clamp	GD 35	
(4)Continuous number of printing	DEK 5/6	



CE RoHS

JXB-RD

6.3A 500V IEC 60947-7-1

Stranded cross: 0.2-4mm²
 Connection type: Screw connection
 Size: T8.1×H42.4×W58.1mm
 UL 94 V0

Parameters

(1)End cover: T1.5mm	JXB-RDG	
(2)Centre type jumper bar: 10 potential	-	
(3)End clamp	GD 35	
(4)Continuous number of printing	DEK 5/6	



Flexible insulated busbars



■ Technical data of electrical conductor

Copper strips (≥99.9%Cu).
 Electrical conductivity: ≥55Sm/mm²
 Vickers hardness: <50HV
 Tensile Strength: ≥200MPa
 Extensibility: ≥30%

■ Technical data of flexible insulated busbars

Operating temperature: -30~+105 °C
 Flame retardant; self-extinguishing
 Operating voltage: 750V
 Voltage withstand performance with 15min / 50HZ AC, between flexible insulated busbar and earth: ≥15kV, between two flexible insulated busbars: ≥30kV

■ Technical data of insulation

Material: PVC
 Colour: black
 Thickness: 1.8-2.1mm
 Shore hardness: A70-80
 Electrical strength: ≥23kV/mm
 Oxygen index: 30%
 Elasticity: ≥180% after 7-day aging-test with 135 °C
 Tensile strength: ≥20MPa

Ampacity (A)

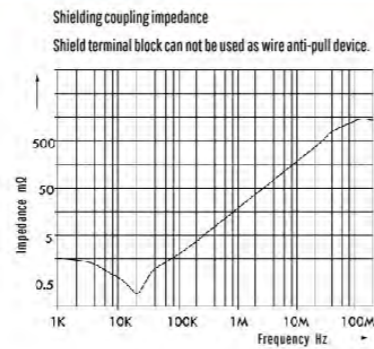
Dimensions and Qty (mmxmm of strips)	Cross section (mm ²)	Ampacity (A)			Dimensions and Qty (mmxmm of strips)	Cross section (mm ²)	Ampacity (A)		
		△ T=20K (3)	△ T=40K (4)	△ T=50K (5)			△ T=20K (3)	△ T=40K (4)	△ T=50K (5)
15.5 x 0.8 x 2	24.8	125	175	200	40 x 1 x 2	80	240	330	380
15.5 x 0.8 x 3	37.2	160	210	240	40 x 1 x 3	120	330	480	540
15.5 x 0.8 x 4	49.6	195	265	295	40 x 1 x 4	160	400	560	630
15.5 x 0.8 x 6	74.4	225	320	360	40 x 1 x 5	200	450	630	710
15.5 x 0.8 x 8	99.2	265	380	430	40 x 1 x 6	240	480	680	750
15.5 x 0.8 x 10	124	300	420	480	40 x 1 x 8	320	600	830	920
20 x 1 x 2	40	170	240	270	40 x 1 x 10	400	670	920	1030
20 x 1 x 3	60	230	320	360	50 x 1 x 3	150	400	570	650
20 x 1 x 4	80	270	380	440	50 x 1 x 4	200	490	700	790
20 x 1 x 5	100	300	430	490	50 x 1 x 5	250	540	780	880
20 x 1 x 6	120	330	470	530	50 x 1 x 6	300	590	840	950
20 x 1 x 8	160	400	560	620	50 x 1 x 8	400	680	1000	1130
20 x 1 x 10	200	420	580	650	50 x 1 x 10	500	750	1100	1300
24 x 1 x 2	48	200	280	320	63 x 1 x 5	315	650	900	1000
24 x 1 x 3	72	250	360	410	63 x 1 x 6	378	690	980	1100
24 x 1 x 4	96	280	410	460	63 x 1 x 8	504	840	1200	1350
24 x 1 x 5	120	330	470	530	63 x 1 x 10	630	920	1300	1450
24 x 1 x 6	144	360	510	570	80 x 1 x 5	400	700	1100	1230
24 x 1 x 8	192	420	590	670	80 x 1 x 6	480	780	1210	1360
24 x 1 x 10	240	500	700	790	80 x 1 x 8	640	950	1400	1570
32 x 1 x 2	64	230	320	360	80 x 1 x 10	800	1090	1550	1730
32 x 1 x 3	96	280	410	460	100 x 1 x 5	500	860	1250	1400
32 x 1 x 4	128	320	460	520	100 x 1 x 6	600	950	1380	1530
32 x 1 x 5	160	390	550	610	100 x 1 x 8	800	1100	1580	1760
32 x 1 x 6	192	440	620	700	100 x 1 x 10	1000	1220	1710	1920
32 x 1 x 8	256	510	720	822	100 x 1 x 12	1200	1300	1800	2010
32 x 1 x 10	320	600	840	930					



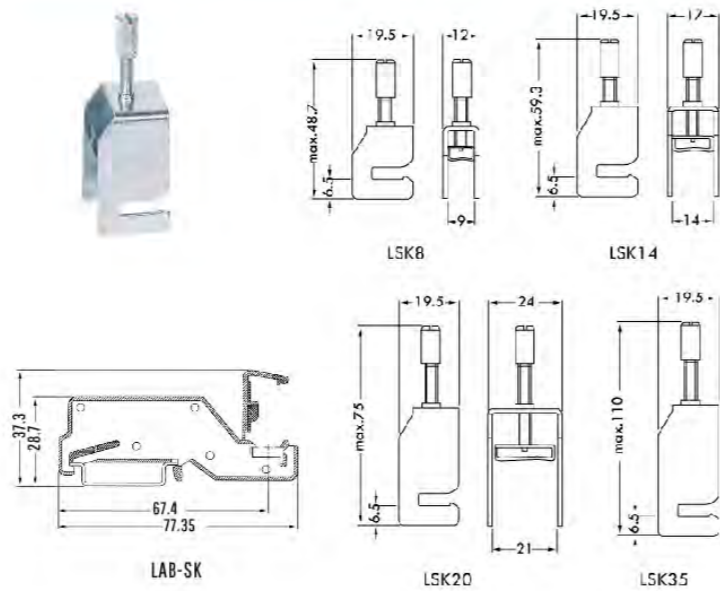
According to the length of terminal bar, two or more shielding brackets LAB-SK are installed. This bracket makes the front busbar and Din rail both electrically and mechanically connected, and then connected to the equipment housing grounding. The installation of shielding terminal is very simple, just clip the JSK terminal on the bus bar after wiring.

The force acting on the cable can be adjusted by an elastic pressure block, thus ensuring the best contact with the busbar at any time. If the cable shielding is not in front of the terminal strip, but grounded in another place of the electrical cabinet, in this case, the shielding support AB/SS is recommended. If cable shielding needs to be grounded through a point in the device housing, this shielding support is also suitable for insulation installation of the busbar.

Performance



Dimensional drawing



	Model No.	Cable diameter	Packing
Shield terminal block: Used for clamping the cable shield layer on the busbar.	LSK 8	φ 8mm	10
	LSK 14	φ 14mm	10
	LSK 20	φ 20mm	10
	LSK 35	φ 35mm	10
	LAB-SK		10
(1) Holder: installing with 10×3mm busbar			
(2) Copper busbar: 10×3mm, 1000mm Tin plated	NLS-CU 3/10	Maximum current: 140A	10
(3) Insulating holder: Made of insulating material with fixed screws, can be used for 10 x 3mm or 6 x 6mm busbars.	AB/SS		10

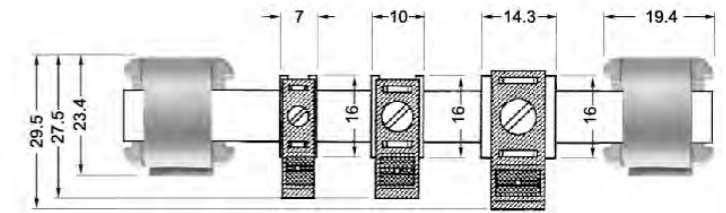


Both LAK and LAKG interconnected end is designed for fixing the installed end. They are installed on the busbar 3×10mm.

LAK : without insulation cap
LAKG : with insulation cap at different colours.

There are also three different holders for different user, which including single, double and triple layers.

Dimensional drawing



	Model No.
N/PE interconnected end: 4mm ² No insulation cap/Insulation cap	Blue(For N) / Greenish yellow(For PE) / Black(For L1,L2,L3) ⊗ LAK 4 / LAKG 4 BU / LAKG 4 GNYE / LAKG 4 BK
N/PE interconnected end: 16mm ² No insulation cap/Insulation cap	Blue(For N) / Greenish yellow(For PE) / Black(For L1,L2,L3) ⊗ LAK 16 / LAKG 16 BU / LAKG 16 GNYE / LAKG 16 BK
N/PE interconnected end: 35mm ² No insulation cap/Insulation cap	Blue(For N) / Greenish yellow(For PE) / Black(For L1,L2,L3) ⊗ LAK 35 / LAKG 35 BU / LAKG 35 GNYE / LAKG 35 BK
(1)Copper busbar: 3×10mm, 1 meter long, tin plated, rated current 140A.	NLS-CU 3/10
(2)Single holder: using for busbar 3×10mm.	AB/SS
(3)Double-layer holder: using for busbar 3×10mm.	AB/2SS

*Pay attention to the current loading capacity of busbar.

Connection data	Solid wire (mm ²)	Multiple wire (mm ²)	AWG	I(A)
L(AKG) 4	0.5-4	0.5-4	20-12	32*
L(AKG) 16	1.5-16	1.5-16	16-6	76*
L(AKG) 35	1.5-35	1.5-25	16-2	125*



In switchgear and control equipment, it is sometimes necessary to connect the neutral and ground wires to a busbar. For this purpose, a busbar can be used, in which a plurality of wires are connected in a compact manner (up to 70 wires can be connected to a one-meter busbar). The wires can be connected to the bus bar by a crimping frame or a spring, and the bus bar can be pressed onto the bus bar bracket by pressing or screwing.

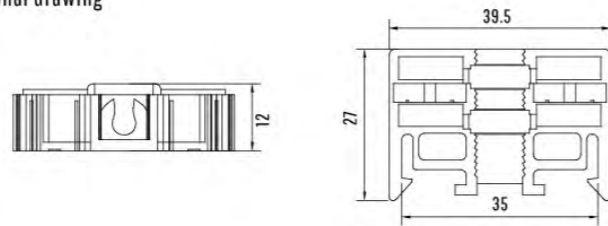
ZB and 10 x 3mm or 6 x 6mm bus bars can be ideally used as a confluence of neutral and ground wires using bus bar crimping frames.



PMR117 Fixed support

Materials: PA66-UL94-V0

Dimensional drawing



ZB4 Busbar 10x3mm

Single hard wire	0.5...6.0mm ²
Flexible conductor	0.5...4.0mm ²
Multiple hard wire	-
Screw	M3
Wire stripping length	16mm

Model No.	Size				Quantity
	a	Thickness	c	h1	
ZB 4(No insulation cover)	11.7	5.6	16.0	10.0	50



ZB16 Busbar 10x3mm

Single hard wire	2.5...16mm ²
Flexible conductor	2.5...16mm ²
Multiple hard wire	16...25mm ²
Screw	M4
Wire stripping length	16mm

Model No.	Size				Quantity
	a	Thickness	c	h1	
ZB 16(No insulation cover)	17.0	10.0	16.0	17.0	50



ZB35 Busbar 10x3mm

Single hard wire	-
Flexible conductor	16...35mm ²
Multiple hard wire	16...50mm ²
Screw	M6
Wire stripping length	19mm

Model No.	Size				Quantity
	a	Thickness	c	h1	
ZB 4(No insulation cover)	21.0	14.4	18.4	20.5	20



ZB4K Busbar 10x3mm

Single hard wire	0.5...6.0mm ²
Flexible conductor	0.5...4.0mm ²
Multiple hard wire	-
Screw	M3
Wire stripping length	16mm

Model No.	Colour	Size				Quantity
		a2	Thickness	d	h2	
ZB 4K GN/GE	Green/Yellow	18.5	6.0	19.0	13.0	50
ZB 4K BL	Blue	18.5	6.0	19.0	13.0	50



ZB16K Busbar 10x3mm

Single hard wire	2.5...16mm ²
Flexible conductor	2.5...16mm ²
Multiple hard wire	16...25mm ²
Screw	M4
Wire stripping length	16mm

Model No.	Colour	Size				Quantity
		a	Thickness	c	h1	
ZB 16K GN/GE	Green/Yellow	24.0	10.0	19.2	20.0	50
ZB 16K BL	Blue	24.0	10.0	19.2	20.0	50



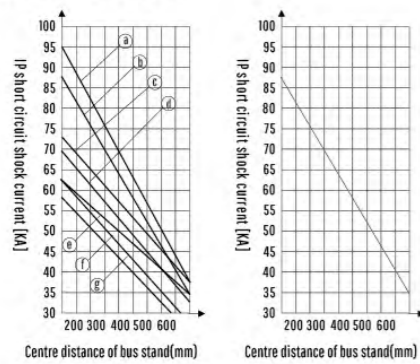
ZB35K Busbar 10x3mm

Single hard wire	-
Flexible conductor	16...35mm ²
Multiple hard wire	16...50mm ²
Screw	M6
Wire stripping length	19mm

Model No.	Colour	Size				Quantity
		a	Thickness	c	h1	
ZB 35K GN/GE	Green/Yellow	24.0	10.0	19.2	20.0	50
ZB 35K BL	Blue	24.0	10.0	19.2	20.0	50



SV1/SV2/SV3/SV4



Design:

With the wiring techniques of wire section material and bus-bar without pinholes adopted, the bending-proof intensity and short-circuit-proof capacity of the bus-bar are improved, and it also helps to cool the bus-bar, lower the temperature and increase current capacity. The Linkwell bus-bar system has been used to develop various switches. The system is also widely used in low-voltage electricity supply and distribution devices and industrial and building electric appliances.

Material:

Glass fibre strengthened, thermoplastic polyester (PBT), continuous working temperature maximum 140°C. Fireproofing function based on UL94-V0

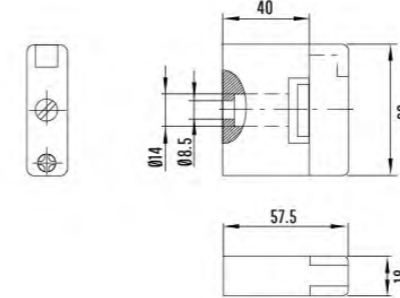
Short-circuit-proof intensity graph

Testing base: VDE 0660/IEC 439

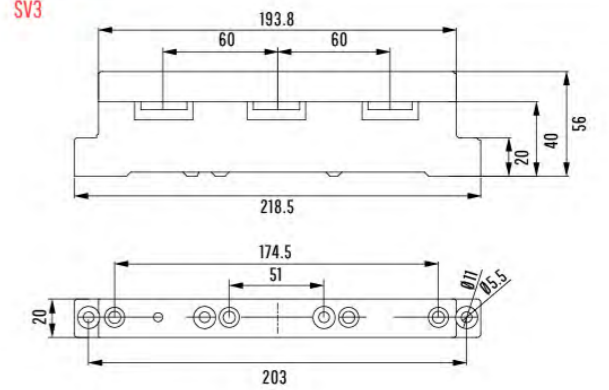
Testing process: according to dynamic short-circuit intensity of IEC 439.

尺寸图

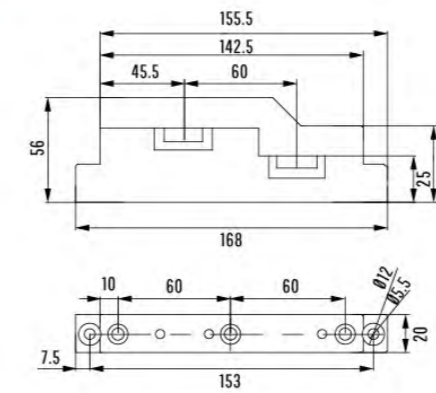
SV1



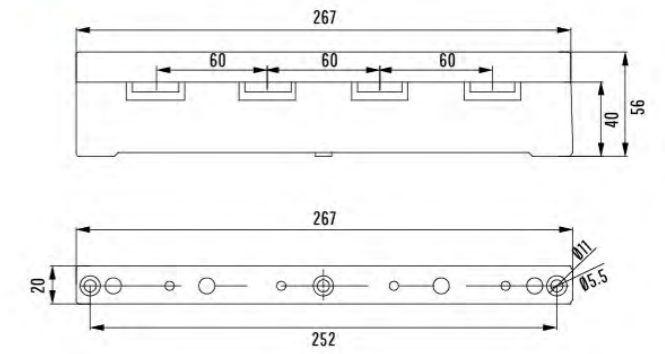
SV3



SV2



SV4



Rated working voltage up to 1000 volt, 50/60 Hz according to VDE 0660

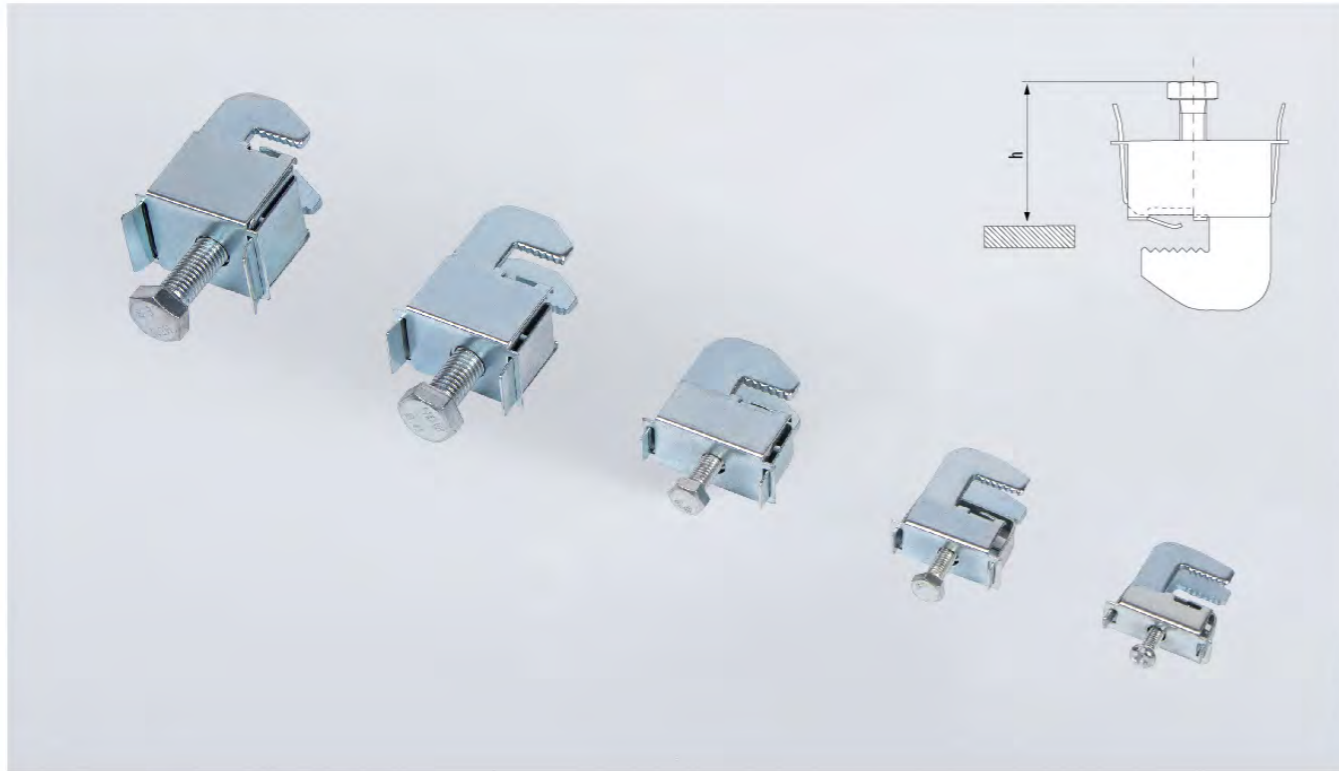
Model	Rated current up to	Number of poles	Centre distance of bus stand	Suitable for Busbar size	Tightening turning moment		Per package
					Fixed screw	Fixed the cover	
SV1	800	1	-	30X10mm	5-8Nm	1-3Nm	2
SV2	800	2	60mm	30X10mm, 30X5mm, 25x10mm, 25x5mm, 20x10mm, 20x5mm, 15x10mm, 15x5mm, 12x10mm, 12x5mm	3-5Nm	1-3Nm	2
SV3	800	2	60mm	30X10mm, 30X5mm, 25x10mm, 25x5mm, 20x10mm, 20x5mm, 15x10mm, 15x5mm	3-5Nm	1-3Nm	2
SV4	800	4	60mm	30X10mm, 30X5mm, 25x10mm, 25x5mm, 20x10mm, 20x5mm, 15x10mm, 15x5mm	3-5Nm	1-3Nm	2



Copper Busbar

Model	Cu221	Cu222	Cu223	Cu224	Cu225
Specifications(mm)	30×5	25×5	20×10	20×5	30×10
Rated current	447A	384A	497A	319A	800A

1.Up to 2 meters copper plating 2.Length optional electroless copper



SV non-punched wire terminal block series

Model No.SV	H Minimum(mm)	H Maximun(mm)
201/206	17	23
202/207	22	29
203/208	26	39
204/209	39	57
205/210	44	66

Model No. SV	Thickness of bus	Round lead wiring*	Piled copper busbar terminal space	Torque	Per package
201	4-5mm	1-4mm ²	-	2Nm	50pcs
202	4-5mm	2.5-16mm ²	8 x 8mm	3Nm	50pcs
203	4-5mm	16-50mm ²	10.5 x 11mm	6-8Nm	50pcs
204	4-5mm	35-70mm ²	16.5 x 15mm	10-12Nm	50pcs
205	4-5mm	70-185mm ²	22.5 x 20mm	12-15Nm	50pcs
206	9-10mm	1-4mm ²	-	2Nm	50pcs
207	9-10mm	2.5-16mm ²	8 x 8mm	3Nm	50pcs
208	9-10mm	16-50mm ²	10.5 x 11mm	6-8Nm	50pcs
209	9-10mm	35-70mm ²	16.5 x 15mm	10-12Nm	50pcs
210	9-10mm	70-185mm ²	22.5 x 20mm	12-15Nm	50pcs

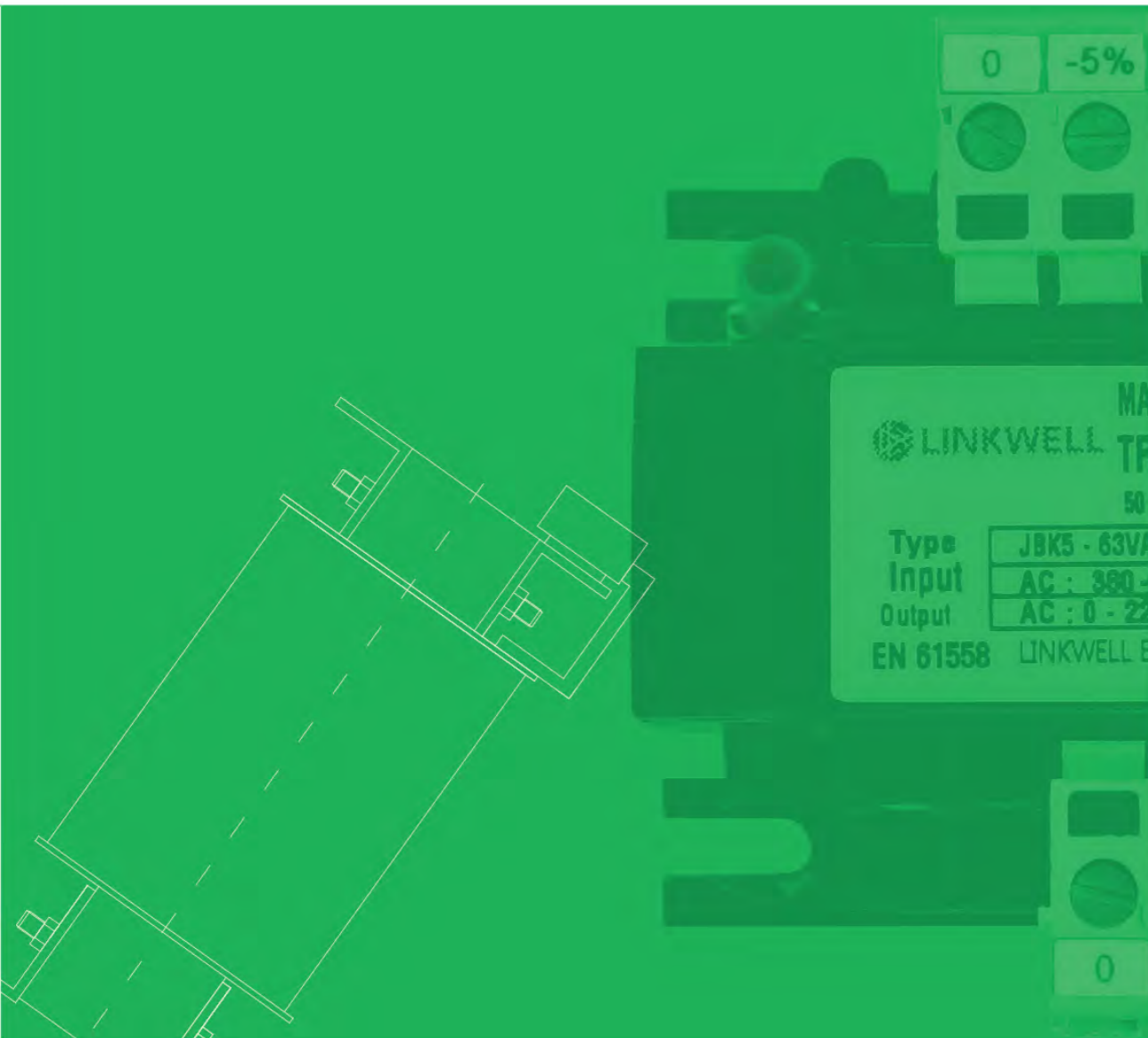


Model No.	For busbars	Connection min.-max.	Terminal space (W/H)	For use up to max.	Pack size	Weight kg/100u.	Part No.
LK401	5mm flat busbars	1.5-16	7.5x7.5	180A	100	2.1	01 284
LK402		4-35	10.5x11	270A	50	4.6	01 285
LK403		16-70	14x14	400A	25	7.1	01 287
LK404		16-120	17x15	440A	25	10.6	01 068
LK405	10mm flat busbars	1.5-16	7.5x7.5	180A	100	2.3	01 289
LK406		4-35	10.5x11	270A	50	4.7	01 290
LK407	10mm flat busbars double -T and triple -T section	16-70	14x14	400A	25	7.5	01 292
LK408		16-120	17x15	440A	25	10.9	01 203

Control transformer

Expert in control transformer system

LINKWELL is the system supplier, with energy-saving, environmental protection, efficient product performance, to meet the requirements of Control transformer system.





DZD

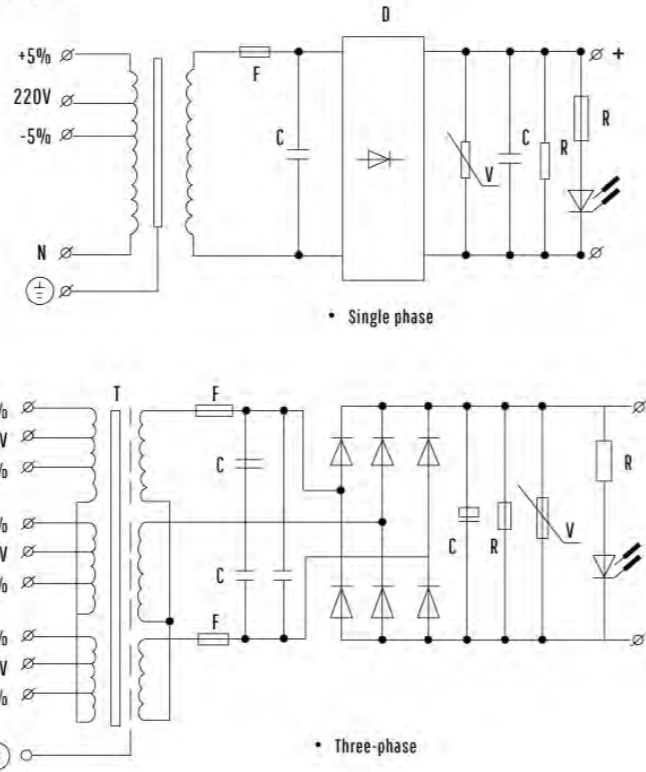
DZD / JSZ

DZD and JSZ DC power supply are the latest compact power supply developed by LINKWELL ELECTRIC. It has the characteristics of compact structure, beautiful appearance, small ripple, low power consumption, large capacity and high protection level. It is suitable for AC 50HZ (or 60HZ), rated input voltage not exceeding 500V, rated output voltage is DC24V, used as DC power supply for general electrical control of various equipments in various industries.

Features and advantages

- The products conform to IEC standards;
 - Rated input voltage with plus or minus 5% tap;
 - Large capacitance filter, ripple coefficient < 5;
 - Quick fuse protection;
- Transformer and rectification power supply integration, structure compaction qin, beautiful appearance;
 The core adopts gas shielded argon arc welding technology, no air gap, no noise and low loss;
 Built - in voltage sensitive resistor for over - voltage protection;
 Protection level up to IP20, can effectively meet the requirements of touch protection.

Circuit diagram



Model No.	DZD	JSZ
Rated input voltage	AC220V±5%, AC380V±5%	
Rated output voltage	DC24V	
Rated output current	2A, 5A, 10A, 20A	
Rated load output voltage	95% Un ≤ U ≤ 105% Un	
Efficiency	>75%	
Ripple factor	≤5% (JSZ Type ≤2%)	
Power frequency withstand voltage	Core 1 input room: AC2500V 1min/core 1 output room: AC1000V 1min	
Ambient temperature	-5°C ~ +40°C	



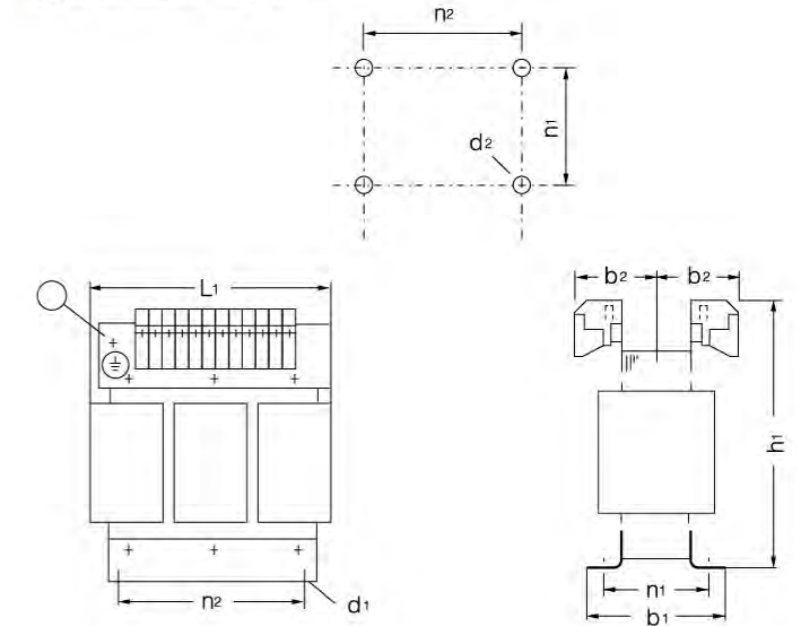
JSG

Adopting technology of Siemens company, design and manufacture JSG series three phase transformer by LINKWELL, with voltage between 160VA and 16KVA. The figure and installation size have been standardized and can be used together with 4AP series of Siemens, product comply with VDE0550, IEC439, JB5555, GB5226 and other International and national standards.

JSG series transformer used for equipment with input and output voltage less than 500V and frequency 50/60Hz.

Various inputs of the product, the output voltage level, the connection group, the number of adjustment taps and position (generally ± 5%), the distribution of winding capacity, the arrangement of secondary single-phase windings, the use of rectifier circuits, whether to require The outer casing and the like can be carefully designed and manufactured according to the requirements of the user.

Appearance and installing size



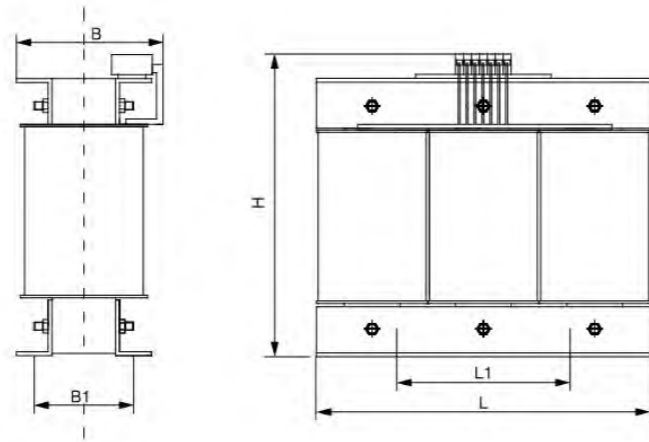
Model	Capacity KVA	b1 max	b2 max	d1	d2	h1 max	L1 max	n1	n2
JSG-0.16	0.16	64	50	5×8	M4	140	122	49	90
JSG-0.25	0.25	67	48	6×12	M5	162	156	49	113
JSG-0.4	0.4	82	56	6×12	M5	162	156	64	113
JSG-0.63	0.63	76	51	7.4×13	M6	187	181	56	136
JSG-1	1	97	61	7.4×13	M6	187	181	76	136
JSG-1.6	1.6	115	98	7.4×13	M6	214	229	94	170
JSG-2.5	2.5	133	102	10×18	M8	241	264	101	200
JSG-4	4.0	148	104	10×18	M8	250	270	118	224
JSG-6.3	6.3	155	129	10×18	M8	320	360	118	264
JSG-8	8	170	134	12×20	M10	380	420	140	315
JSG-10	10	170	134	12×20	M10	380	420	140	315



SG

SG series low-voltage three-phase dry-type transformers are widely used in industrial and mining enterprises, CNC machine tools, machining centers, various types of machinery, power plants, airports and other places with high safety and fire protection requirements, for conversion power, lighting electrical, power supply, rectifier power supply.

Appearance and installing size

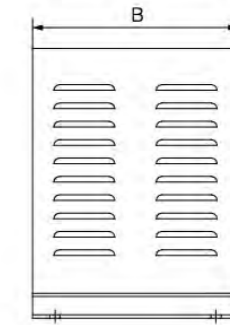
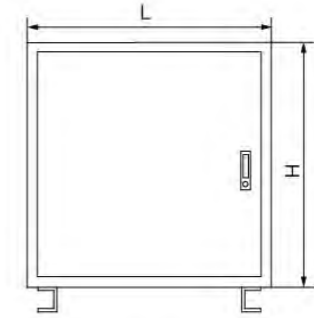


Model No.	Capacity (KVA)	Input voltage(V)	Connection group	Outline size			Installation size		Hole radius
				L	B	H	L1	B1	
SG-2.5	2.5	660	△ or Y	270	180	260	200	102	8.5
SG-3	3			270	190	260	200	102	8.5
SG-4	4			300	190	290	224	120	8.5
SG-5	5			300	210	290	224	135	8.5
SG-6	6			360	200	350	264	127	8.5
SG-7	7			360	200	370	264	127	8.5
SG-8	8			360	240	370	264	142	8.5
SG-10	10			420	240	420	315	150	12.5
SG-12	12			420	240	420	315	150	12.5
SG-15	15			420	280	420	315	170	12.5
SG-20	20			480	240	450	360	150	12.5
SG-25	25			480	240	450	360	180	12.5
SG-30	30			480	270	450	360	220	12.5
SG-40	40			540	300	450	360	250	12.5
SG-45	45			600	300	560	450	250	12.5
SG-50	50			600	350	560	450	220	12.5
SG-60	60	600	350	560	450	220	15		
SG-80	80	660	380	660	550	250	15		
SG-100	100	660	380	660	550	250	15		



SGC

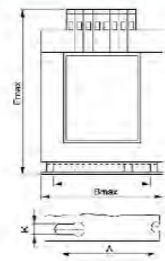
Appearance and installing size



Model No.	Capacity (KVA)	Outline size		
		L	B	H
SGC-2.5KVA	2.5	300	240	280
SGC-3KVA	3	300	240	280
SGC-4KVA	4	390	280	320
SGC-5KVA	5	390	280	320
SGC-6KVA	6	390	280	320
SGC-8KVA	8	500	350	450
SGC-10KVA	10	500	350	450
SGC-12KVA	12	500	350	450
SGC-15KVA	15	500	350	450
SGC-20KVA	20	600	420	520
SGC-25KVA	25	600	420	520
SGC-30KVA	30	600	420	520
SGC-40KVA	40	600	420	520
SGC-45KVA	45	740	500	650
SGC-50KVA	50	740	500	650
SGC-60KVA	60	740	500	650
SGC-80KVA	80	840	530	650
SGC-100KVA	100	840	530	650

JBK5

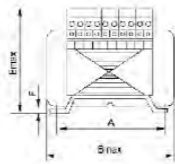
Appearance and installing size



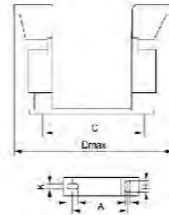
JBK5-40-800



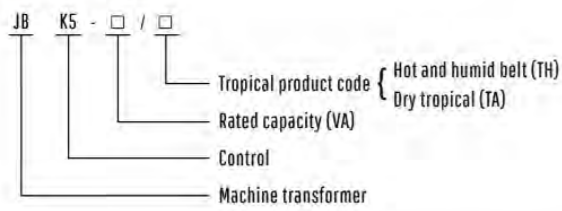
JBK5-1000-1600



JBK5-1000-2500



Type and meaning



Model No.	Rated volume (VA)	Efficiency(%)	Voltage of output under load		Voltage of output unloaded		Rated input voltage (V)	Rated Output voltage (V)	Remarks
			Signal winding (%)	Control winding (%)	Signal winding (%)	Control winding (%)			
JBK5-40	40	80	6≥Um > 5 12≥Um > 10		6或12	1.1Um	AC380 ±5%	AC220 (127) 110	Control
JBK5-63	63								
JBK5-100	100								
JBK5-160	160								
JBK5-250	250								
JBK5-400	400	85	6≥Um > 4.5 12≥Um > 9	95%-105% UH	6或12	1.1Um	AC220 ±5%	48 35 24	Light or Control
JBK5-630	630								
JBK5-800	800								
JBK5-1000	1000								
JBK5-1600	1600								
JBK5-2500	2500	90	15.2≥Um11		6或12	1.1Um	0-380或 0-220 不帶±5%	12 6	Signal
JBK5-3000	3000								
JBK5-4000	4000								
JBK5-5000	5000								
JBK5-6000	6000								
JBK5-7000	7000	90	15.2≥Um11		6或12	1.1Um	0-380或 0-220 不帶±5%	12 6	Signal
JBK5-8000	8000								
JBK5-10000	10000								
JBK5-15KVA	15000								
JBK5-20KVA	20000								
JBK5-30KVA	30000	96	15.2≥Um11		6或12	1.1Um	0-380或 0-220 不帶±5%	12 6	Signal
JBK5-40KVA	40000								
JBK5-50KVA	50000								
JBK5-60KVA	60000								

The distribution of every winding capacity can be made according to user's demand

Model No.	B max	D max	E max	Installation hole spacing A	Installation hole spacing C	Installation hole K	F max	Remarks
JBK5-40、63	78	72	90	56±0.125	46±0.125	4.6	1.5	
JBK5-100	85	75	96	64±0.15	62±0.15	4.6	1.5	
JBK5-160	96	92	105	84±0.175	73.5±0.15	5.5	1.5	
JBK5-250	96	100	104	84±0.175	85±0.175	5.8	1.5	
JBK5-400	120	100	122	90±0.175	85±0.175	5.8	2	
JBK5-500	120	110	122	90±0.175	96±0.175	5.8	2	
JBK5-630	150	110	140	122±0.2	90±0.175	7	2	
JBK5-800	150	128	142	122±0.2	105±0.2	7	2	
JBK5-1000	150	190	142	155±0.2	126±0.2	7	3	Horizontal
JBK5-1000	168	125	155	138±0.2	105±0.2	9	2	Vertical
JBK5-1600	170	225	153	176±0.2	140±0.2	7	3	Horizontal
JBK5-1600	168	138	155	138±0.2	116±0.2	9	2	Vertical
JBK5-2500	194	250	170	200±0.2	170±0.23	7	4	Horizontal
JBK5-3000	194	250	190	200±0.2	170±0.23	7	4	Horizontal
JBK5-4000	194	250	200	200±0.2	170±0.23	7	4	Horizontal
JBK5-5000	220	286	215	240±0.5	208±0.5	9	6	Horizontal
JBK5-6000	220	286	215	240±0.5	208±0.5	9	6	Horizontal
JBK5-7000	280	205	260	200±0.5	180±0.5	12	7	Vertical
JBK5-8000	280	205	260	200±0.5	180±0.5	12	7	Vertical
JBK5-10000	280	250	260	200±0.5	215±0.5	12	7	Vertical

Model No.	Rated volume (VA)	Efficiency (%)	Voltage of output under load		Voltage of output unloaded		Rated input voltage (V)	Rated Output voltage (V)	Remarks
			Signal winding (%)	Control winding (%)	Signal winding (%)	Control winding (%)			
JBK5-40	40	80	6≥Um > 5 12≥Um > 10		6 or 12	1.1Um	AC380 ±5%	AC220 (127) 110	Control
JBK5-63	63								
JBK5-100	100								
JBK5-160	160								
JBK5-250	250								
JBK5-400	400	85	6≥Um > 4.5 12≥Um > 9	95-105% UH	6 or 12	1.1Um	AC220 ±5%	48 35 24	Light or Control
JBK5-630	630								
JBK5-800	800								
JBK5-1000	1000								
JBK5-1600	1600								
JBK5-2500	2500	90	15.2≥Um11		6 or 12	1.1Um	0-380或 0-220 不帶±5%	12 6	Signal
JBK5-3000	3000								
JBK5-4000	4000								
JBK5-5000	5000								
JBK5-6000	6000								
JBK5-7000	7000	96	15.2≥Um11		6 or 12	1.1Um	0-380或 0-220 不帶±5%	12 6	Signal
JBK5-8000	8000								
JBK5-10000	10000								

The distribution of every winding capacity can be made according to user's demand

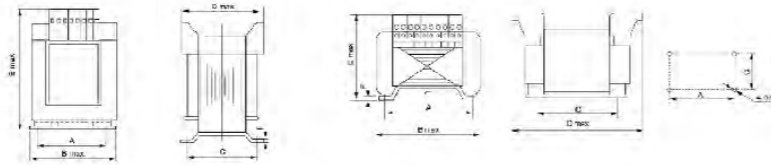


JBK6

Series JBK6 machine controlling transformer is our company introduces the series of the foreign latest transformer by LINKWELL, on the basis of the JBK5 controlling transformer, develop the new generation transformer, JBK6 transformer's appearance size, installation size, and the occasion of using are same as JBK5 transformer, besides JBK5 transformer's advantage, JBK6 transformer has the following characteristic:

1. The terminal screw is bigger than JBK5, it is more convenient and firmer to wire.
2. With shortcut and hot protector, it is more reliable to use.
3. The transformer adopts the craft of vacuum soak painting, the insulating material import from foreign country, insulating ability is more steady.

Appearance and installing size



JBK6-40-800 JBK6-1000-1600 Vertical JBK6-1000-2500

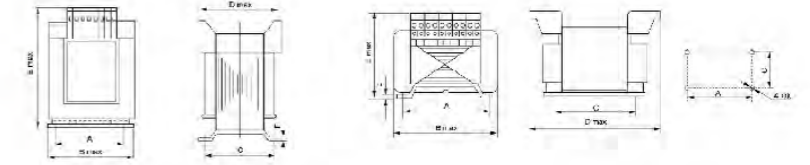
Model No.	B max	D max	E max	Installation hole spacing A	Installation hole spacing C	Installation hole K	F max	Remarks
JBK6-40、63	78	72	90	56±0.15	46±0.125	4.6	1.5	
JBK6-100	85	75	96	64±0.15	62±0.15	4.6	1.5	
JBK6-160	96	92	105	84±0.175	73.5±0.15	5.5	1.5	
JBK6-250	96	100	104	84±0.175	85±0.175	5.8	1.5	
JBK6-400	120	100	122	90±0.175	85±0.175	5.8	2	
JBK6-630	150	110	140	122±0.2	90±0.175	7	2	
JBK6-800	150	128	142	122±0.2	105±0.2	7	2	
JBK6-1000	150	190	142	126±0.2	155±0.2	7	3	Horizontal
JBK6-1000	168	125	155	105±0.2	138±0.2	9	2	Vertical
JBK6-1600	170	225	153	140±0.2	176±0.2	7	3	Horizontal
JBK6-1600	168	138	155	116±0.2	138±0.2	9	2	Vertical
JBK6-2500	194	160	165	172±0.2	195±0.23	7	4	Horizontal

Model No.	Rated volume (VA)	Efficiency (%)	Voltage of output under load		Voltage of output unloaded		Rated input voltage (V)	Rated Output voltage (V)	Remarks
			Signal winding (%)	Control winding (%)	Signal winding (%)	Control winding (%)			
JBK6-40	40	80	6≥Um>5 12≥Um>10	95-105% UH	6 or 12	1.1Um	AC220 ±5%	AC220 (127)	The distribution of every winding capacity can be made according to user's demand
JBK6-63	63							110	
JBK6-100	100							110	
JBK6-160	160	85						48	
JBK6-250	250							35	
JBK6-400	400							24	
JBK6-630	630	90	6≥Um>4.5 12≥Um>9				AC220 ±5%	12	
JBK6-800	800							6	
JBK6-1000	1000							6	
JBK6-1600	1600								
JBK6-2500	2500								



LBK6

Appearance and installing size



LBK6-40-800 LBK6-1000-1600 Vertical LBK6-1000-2500

Model No.	B max	D max	E max	Installation hole spacing A	Installation hole spacing C	Installation hole K	F max	Remarks
LBK6-40、63	78	72	90	56±0.15	46±0.125	4.6	1.5	
LBK6-100	85	75	96	64±0.15	62±0.15	4.6	1.5	
LBK6-160	96	92	105	84±0.175	73.5±0.15	5.5	1.5	
LBK6-250	96	100	104	84±0.175	85±0.175	5.8	1.5	
LBK6-400	120	100	122	90±0.175	85±0.175	5.8	2	
LBK6-630	150	110	140	122±0.2	90±0.175	7	2	
LBK6-800	150	128	142	122±0.2	105±0.2	7	2	
LBK6-1000	150	190	142	126±0.2	155±0.2	7	3	Horizontal
LBK6-1000	168	125	155	105±0.2	138±0.2	9	2	Vertical
LBK6-1600	170	225	153	140±0.2	176±0.2	7	3	Horizontal
LBK6-1600	168	138	155	116±0.2	138±0.2	9	2	Vertical
LBK6-2500	194	160	165	172±0.2	195±0.23	7	4	Horizontal

Model No.	Rated volume (VA)	Efficiency (%)	Voltage of output under load		Voltage of output unloaded		Rated input voltage (V)	Rated Output voltage (V)	Remarks
			Signal winding (%)	Control winding (%)	Signal winding (%)	Control winding (%)			
LBK6-40	40	80	6≥Um>5 12≥Um>10	95-105% UH	6 or 12	1.1Um	AC380 ±5%	AC220 (127)	The distribution of every winding capacity can be made according to user's demand
LBK6-63	63							110	
LBK6-100	100							110	
LBK6-160	160	85						48	
LBK6-250	250							35	
LBK6-400	400							24	
LBK6-630	630	90	6≥Um>4.5 12≥Um>9				AC220 ±5%	12	
LBK6-800	800							6	
LBK6-1000	1000							6	
LBK6-1600	1600								
LBK6-2500	2500								

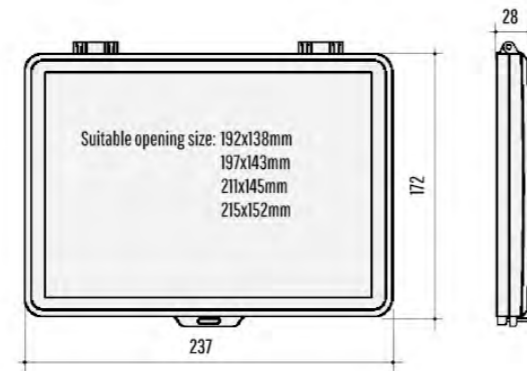
Enclosures and Boxes

Advanced Enclosures and Boxes system expert

LINKWELL is the system supplier, with energy-saving, environmental protection, efficient product performance, to meet the requirements of Enclosures and Boxes system.



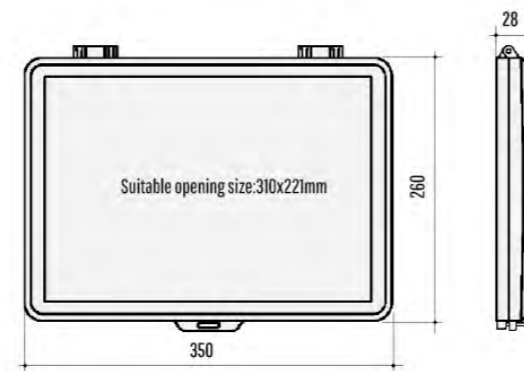
Touch screen protective cover 7 inches



Installation dimensions/Applicable accessories

Opening size	Suitable for brand	Touch screen model	
192x138mm	SIEMENS	SMART700 IE V3	
	OMRON	NB7W-TW11B NB7Q-TW00B/01B	
	MITSUBISHI	GS2107-WTBD	
	KUNLUNTONGTAI	TPC7062KD(HL/HN)	
	WEILUN	TK6071 IQ/IP TK8071 IE/IP MT6071 IE/IP	
		MT8071 IP CMT3072	
	SAMKOOON	SK-070BE	
	YOUKONG	MM-30MR/40MR	
	INDVANCE	IT6070T IT6070E	
	KINCO	ET070	
	FLEXEM	FE6070	
	HOLLYSYS	HT8720T	
	XINJE	TG765	
	192x143mm	SIEMENS	YPI77A KTP600
DELTA		DOP-B07S410/07S411/07S415/07E411	
211x145mm	HOLLYSYS	HT8700T HT8700TE	
215x152mm	SAMKOOON	SK-070AE/BC/AS	
	KUNLUNTONGTAI	TPC7062TD/KT TPC7062TX/KX/TI	

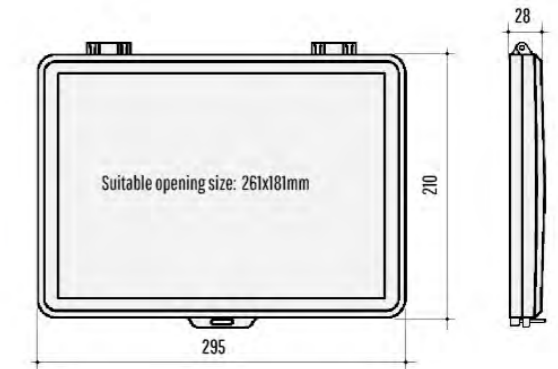
Touch screen protective cover 12 inches



Installation dimensions/Applicable accessories

Opening size	Suitable for brand	Touch screen model
310x220mm	SIEMENS	TP1200 KTP1200

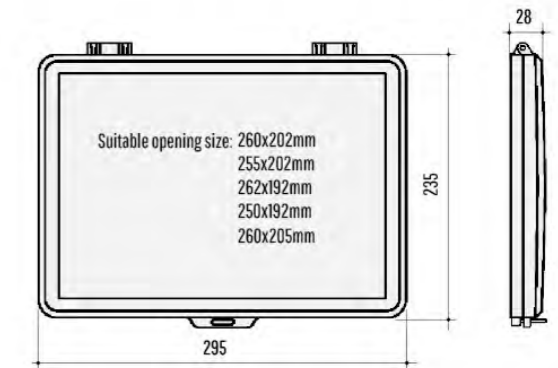
Touch screen protective cover 10 inches



Installation dimensions/Applicable accessories

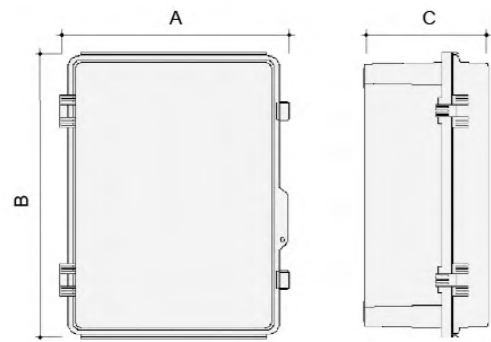
Opening size	Suitable for brand	Touch screen model	
261x181mm	KUNLUNTONGTAI	TPC1061TD/TX/TI	
	OMRON	NA5-9W001B NA5-9W001S	
	COOLMAY	EX3G-100HA/HB	
	SOSU	SS-150WD	
	FLEXEM	FM6100C	
	YOUKONG	MM1001-52MR	
	XINJE	THA62 TGA63 TGC65	

Touch screen protective cover 10.5 inches



Installation dimensions/Applicable accessories

Opening size	Suitable for brand	Touch screen model	
260x202mm	SIEMENS	SMART700 IE SMART1000 IE V3	
	OMRON	SMART1000 IE 6AV6648-0CE11	
	MITSUBISHI	NB10Q-TW00B NB10Q-TW01B	
	KUNLUNTONGTAI	GS2110-WTBD	
	WEILUN	TPC1061HN TPC1162HN	
		MT81031E MT61011Q MT60131P	
		MT81011E MT81021P MT80121E	
		CMT3103 EMT3105P	
	255x202mm	YUANJUN	YJ150DZ
262x192mm	DELTA	DOP-B10S4LL DOP-B10S615	
150x192mm	WEILUN	CMT3090 CMT-IV5 CMT-IPC10	
260x205mm	RONGGE	RG-XSQ010	



- Waterproof, dustproof, anticorrosion, high-strength insulation Any opening is available according to the customers' demands, it is very complete in specification and convenient in installation.
- Executive standard: IEC60529 IP65 EN60309

	Dimensions			Model.No.
	A	B	C	
Stainless steel hinge type electrical box	100	150	90	LK101590
	125	175	90	LK121790
	150	150	90	LK151590
	160	210	100	LK162110
	175	275	110	LK172711
	200	300	130	LK203013
	250	350	150	LK253515
	330	430	180	LK334318
	430	530	200	LK435320
	430	630	230	LK436323
	530	730	250	LK537325
	630	830	280	LK638328



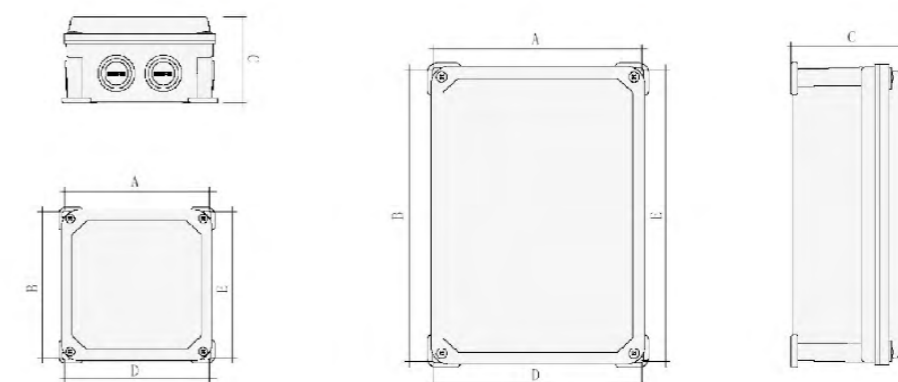
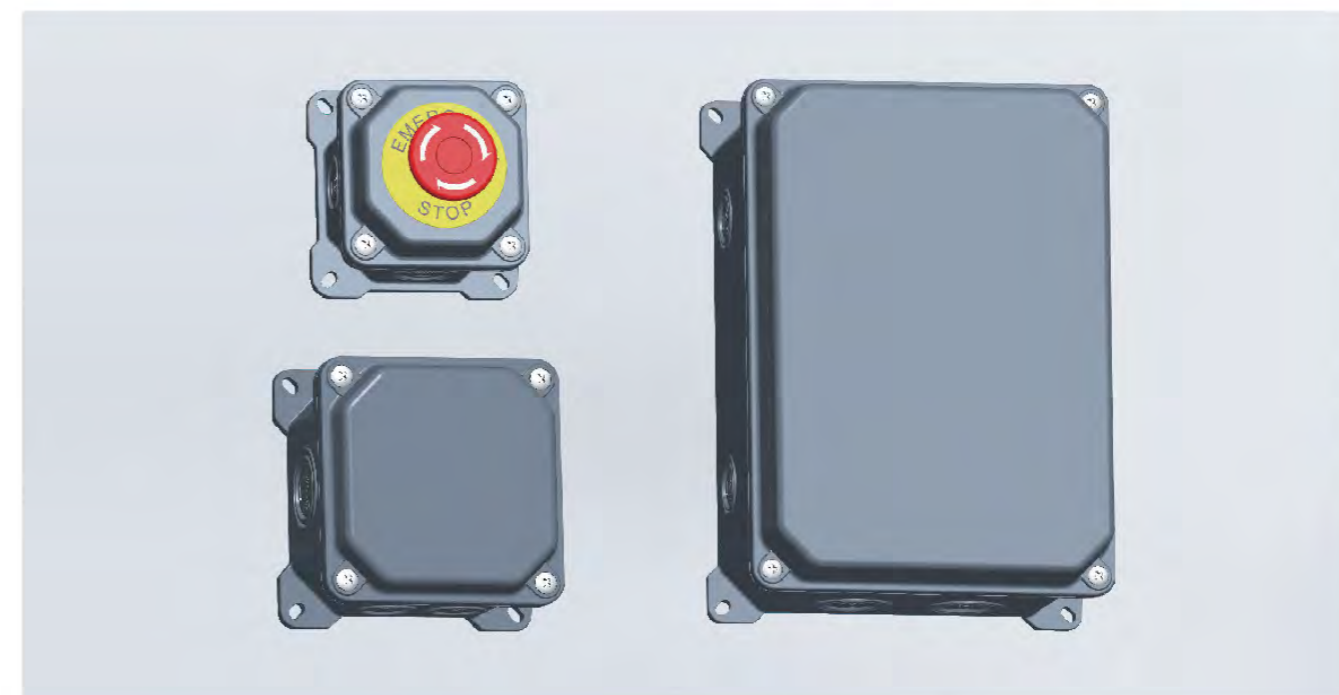
Economical type waterproof electrical box



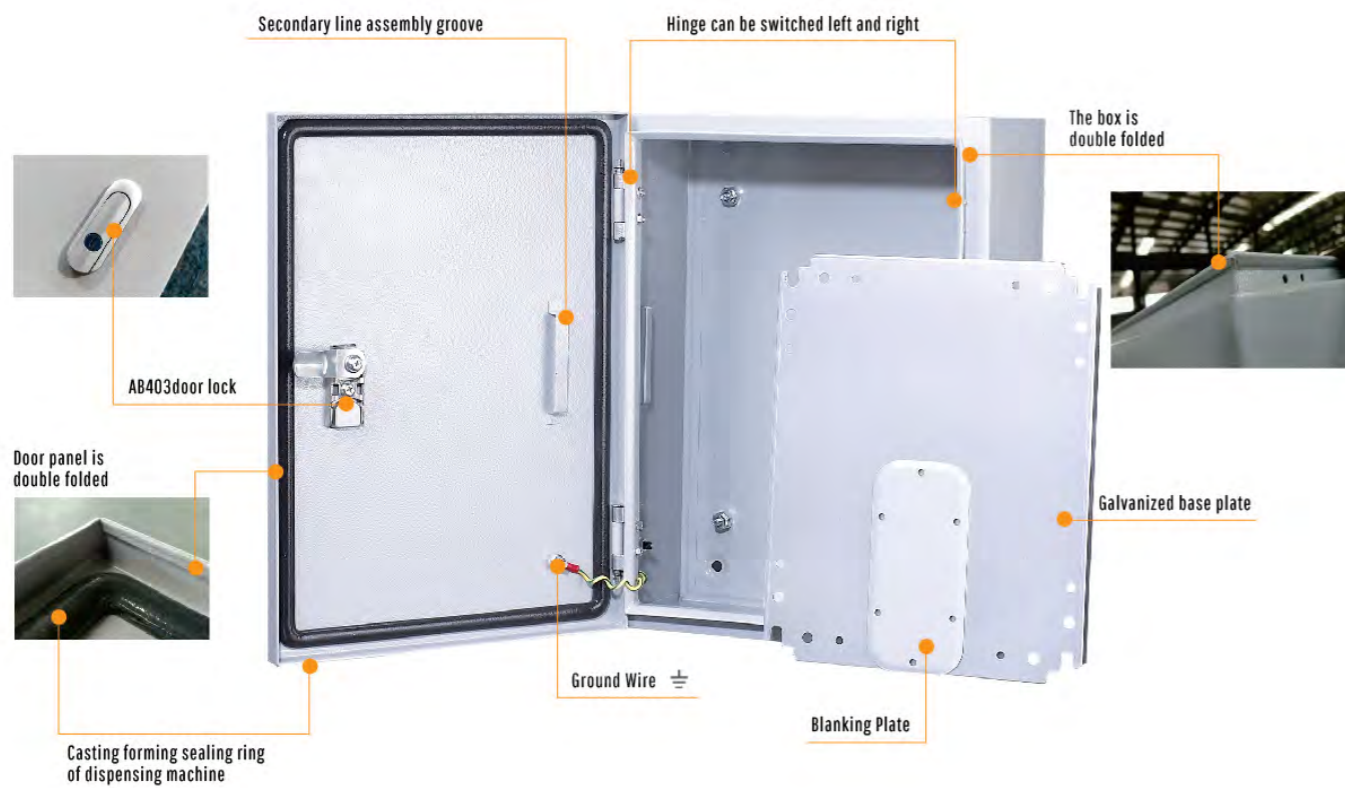
	Dimensions			Model.No.
	A	B	C	
Economical type waterproof electric box	58	64	35	LK586435
	80	110	70	LK081170
	80	130	70	LK081370
	80	180	70	LK081870
	80	250	70	LK082570
	100	100	75	LK101075
	125	125	75	LK121275
	150	200	100	LK152010
	150	200	130	LK152013
	150	250	100	LK152510
	150	250	130	LK152513
	200	200	100	LK202010
	200	200	130	LK202013



Stainless steel screw type electrical box



	Dimensions					Model.No.
	A	B	C	D	E	
Stainless steel screw type electrical box	85	85	85	74	74	LK858575
	110	110	110	104	104	LK111180
	130	130	130	124	124	LK131390
	130	180	180	154	154	LK131890
	160	160	160	154	154	LK161690
	160	210	210	154	204	LK162111
	160	210	210	154	204	LK162112
	180	250	250	174	244	LK182511
	180	250	250	174	244	LK182512
	200	200	200	194	194	LK202011
	200	200	200	194	194	LK202012
	210	290	290	204	284	LK212911
	210	290	290	204	284	LK212912



Model.No.	Dimensions			Categories/Specification			
	W(mm)	H(mm)	D(mm)	A-type Box/Mounting plate/Door 1.4/1.5/1.7(mm)	B-type Box/Mounting plate/Door 1.2/1.2/1.4(mm)	C-type Box/Mounting plate/Door 1.0/1.0/1.2(mm)	D-type Box/Mounting plate/Door 1.0/0.8/1.0(mm)
JXF-300400/155	300	400	155	•	•	•	•
JXF-400500/155	400	500	155	•	•	•	•
JXF-400600/155	400	600	155	•	•	•	•
JXF-500600/155	500	600	155	•	•	•	•
JXF-500700/155	500	700	155	•	•	•	•
JXF-600700/155	600	700	155	•	•	•	•
JXF-600800/155	600	800	155	•	•	•	•
JXF-300400/210	300	400	210	•	•	•	•
JXF-400500/210	400	500	210	•	•	•	•
JXF-400600/210	400	600	210	•	•	•	•
JXF-500600/210	500	600	210	•	•	•	•
JXF-500700/210	500	700	210	•	•	•	•
JXF-600700/210	600	700	210	•	•	•	•
JXF-600800/210	600	800	210	•	•	•	•
JXF-700900/210	700	900	210	•	•	•	•
JXF-6001000/210	600	1000	210	•	•	•	•
JXF-8001000/210	800	1000	210	•	•	•	•

JXF-300400/250	300	400	250	•	•	•	•
JXF-400500/250	400	500	250	•	•	•	•
JXF-400600/250	400	600	250	•	•	•	•
JXF-500600/250	500	600	250	•	•	•	•
JXF-500700/250	500	700	250	•	•	•	•
JXF-600700/250	600	700	250	•	•	•	•
JXF-600800/250	600	800	250	•	•	•	•
JXF-700900/250	700	900	250	•	•	•	•
JXF-6001000/250	600	1000	250	•	•	•	•
JXF-8001000/250	800	1000	250	•	•	•	•

JXF-500600/300	500	600	300	•	•	•	•
JXF-500700/300	500	700	300	•	•	•	•
JXF-600700/300	600	700	300	•	•	•	•
JXF-600800/300	600	800	300	•	•	•	•
JXF-700900/300	700	900	300	•	•	•	•
JXF-6001000/300	600	1000	300	•	•	•	•
JXF-8001000/300	800	1000	300	•	•	•	•

Note: ■ The material is high quality cold rolled steel plate. ■ Mounting plate is of high quality galvanized plate. ■ Specification is the thickness after spray coating.
 ■ Door lock adopts ab403/ab402. ■ Plastic powder with RAL7035. ■ Depth: 300mm need to be customized in batches.



Product feature

- LK-AGS junction box connecting bolts are injection molded, have sufficient strength when connected to the box, and will not break after tightening.
- Designed a four-sided sliding mode to more effectively counter the impact.
 - IP level: IP67
 - Influence grade: IK08
 - Temperature Range: ABS-40 - +70°C, polycarbonate (PC) : -40 - +110°C
 - Flammability: ABS 94-HB; polycarbonate (PC) : 94-V-0, 5VA, HB

Materials variances

- ABS acrylonitrile tripropyl butadiene styrene polycarbon
- PC/ABS acrylonitrile butadiene styrene
- PC: Polycarbonate
- Note: Transparent Grey

Engraving/printing/custom development services

- Engraving processing service
Meet customer's various needs, through the precision hole processing technology based on the accumulation of experience.
- Screen printing and letter engraving services
Exquisite screen printing and letter engraving to make your products better.
- Non-standard custom development services
According to customer requirements, provide a variety of procedures, development of non-standard client-side.

LK-AGS model and naming methods

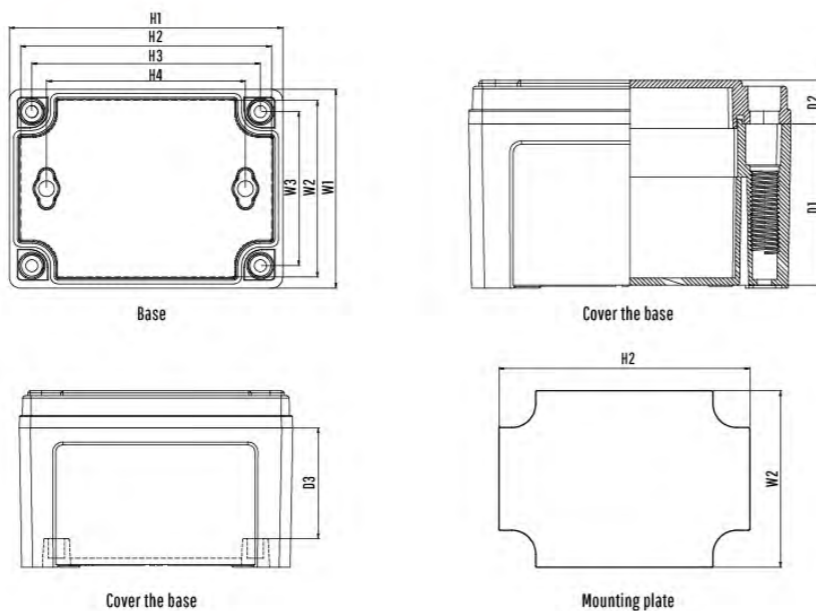
LK	-	A	G	S	-	50	65	55	Inclusive of (H)	Identification: Model name: LK - UVW - XYZ series (U=A.P.C.; V=G.T.; W=S X=05-20; Y=06-20; W=05-13)
Materials		A-ABS P-PC/ABS C-PC								
Cover color		G Gray T Transparent							(L)hinge, lock mounting surface	
Type		S type bolt P-SUS SUS lock-tightened type H-SUS SUS lock-tightened and hinge type						(W)		



Installation dimensions/Applicable accessories

Size(mm)	ABS	ABS/PC	PC	PC	Plate model
Width/Length/Height	Grey cover	Transparent cover	Grey cover	Transparent cover	Plastic
50x65x55	LK-AGS-060505	LK-PTS-060505	LK-CGS-060505	LK-CTS-060505	--
65x95x55	LK-AGS-090605	LK-PTS-090605	LK-CGS-090605	LK-CTS-090605	--
80x110x70	LK-AGS-110807	LK-PTS-110807	LK-CGS-110807	LK-CTS-110807	LK-0811P
80x110x85	LK-AGS-110808	LK-PTS-110808	LK-CGS-110808	LK-CTS-110808	LK-0811P
80x130x70	LK-AGS-130807	LK-PTS-130807	LK-CGS-130807	LK-CTS-130807	LK-0813P
80x130x85	LK-AGS-130808	LK-PTS-130808	LK-CGS-130808	LK-CTS-130808	LK-0813P
80x180x70	LK-AGS-180807	LK-PTS-180807	LK-CGS-180807	LK-CTS-180807	LK-0818P
80x250x70	LK-AGS-250807	LK-PTS-250807	LK-CGS-250807	LK-CTS-250807	LK-0825P
80x250x85	LK-AGS-250808	LK-PTS-250808	LK-CGS-250808	LK-CTS-250808	LK-0825P
100x100x75	LK-AGS-101007	LK-PTS-101007	LK-CGS-101007	LK-CTS-101007	LK-1010P
125x125x75	LK-AGS-121207	LK-PTS-121207	LK-CGS-121207	LK-CTS-121207	LK-1212P
125x125x100	LK-AGS-121210	LK-PTS-121210	LK-CGS-121210	LK-CTS-121210	LK-1212P
125x175x75	LK-AGS-171207	LK-PTS-171207	LK-CGS-171207	LK-CTS-171207	LK-1217P
125x175x100	LK-AGS-171210	LK-PTS-171210	LK-CGS-171210	LK-CTS-171210	LK-1217P
140x170x95	LK-AGS-171409	LK-PTS-171409	LK-CGS-171409	LK-CTS-171409	LK-1417P
150x200x100	LK-AGS-201510	LK-PTS-201510	LK-CGS-201510	LK-CTS-201510	LK-1520P
150x200x130	LK-AGS-201513	LK-PTS-201513	LK-CGS-201513	LK-CTS-201513	LK-1520P
150x250x100	LK-AGS-251510	LK-PTS-251510	LK-CGS-251510	LK-CTS-251510	LK-1525P
150x250x130	LK-AGS-251513	LK-PTS-251513	LK-CGS-251513	LK-CTS-251513	LK-1525P
175x175x100	LK-AGS-171710	LK-PTS-171710	LK-CGS-171710	LK-CTS-171710	LK-1717P
200x200x100	LK-AGS-202010	LK-PTS-202010	LK-CGS-202010	LK-CTS-202010	LK-2020P
200x200x130	LK-AGS-202013	LK-PTS-202013	LK-CGS-202013	LK-CTS-202013	LK-2020P
190x280x130	LK-AGS-192813	LK-PTS-192813	LK-CGS-192813	LK-CTS-192813	LK-1928P

Installation dimensions



Accessories



Size	Series	W1	W3	W3	H1	H2	H3	H4	D1	D2	D3
50x65x55		50	43	38	65	58	53	39.8	35	20	25.5
65x95x55		65	58	47	95	88	77	0	40	15	35.5
80x110x70		80	73	62	110	103	92	80	55	15	44.5
80x110x85		80	73	62	110	103	92	80	55	30	44.5
80x130x70		80	73	62	130	123	112	100	55	15	44.5
80x130x85		80	73	62	130	123	112	100	55	30	44.5
80x180x70		80	73	62	180	175	162	150	55	15	44.5
80x250x70		80	73	62	250	243	232	220	55	15	44.5
80x250x85		80	73	62	250	243	232	220	55	30	44.5
100x100x75		100	93	82	100	93	82	60	60	15	49.5
125x125x75		125	118	107	125	118	107	70	60	15	49.5
125x125x100		125	118	107	125	118	107	70	60	40	49.5
125x175x75		125	118	107	175	168	157	140	60	15	49.5
125x175x100		125	118	107	175	168	157	140	60	40	49.5
140x170x95		140	132	122	170	162	152	130	80	15	69
150x200x100		150	142	132	200	192	182	160	85	15	74
150x200x130		150	142	132	200	192	182	160	85	45	74
150x250x100		150	142	132	250	242	232	210	85	15	74
150x250x130		150	142	132	250	242	232	210	85	45	74
175x175x100		175	167	157	175	167	157	140	85	15	74
200x200x100		200	192	182	200	192	182	159.5	85	15	74
200x200x130		200	192	182	200	192	182	159.5	85	45	74

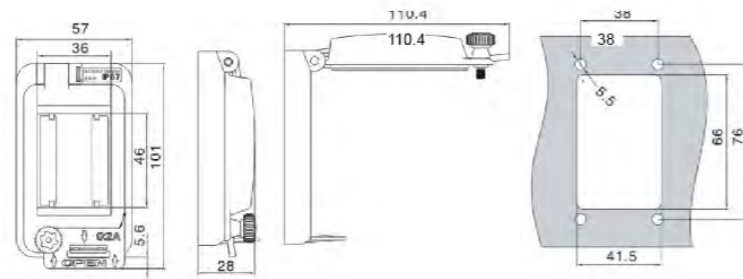


Product List

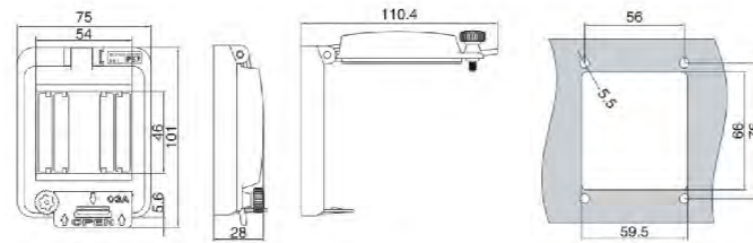
Product name	Model No.
2 ways	STK-02A
3 ways	STK-03A
4 ways	STK-04A
86 type	STK-05A
6 ways	STK-06A
8 ways	STK-08A
10 ways	STK-10A
12 ways	STK-12A
13 ways	STK-13A
16 ways	STK-16A
18 ways	STK-18A
D type Bracket (2-18 ways)	STK-D(02-18)
X type Bracket (6-18 ways)	STK-X(06-18)



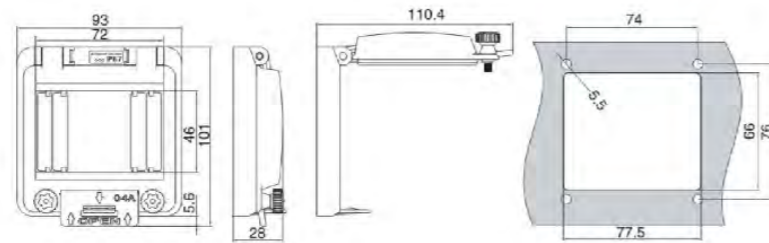
STK-02A



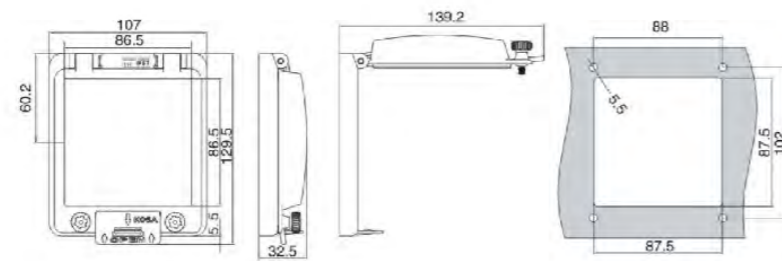
STK-03A



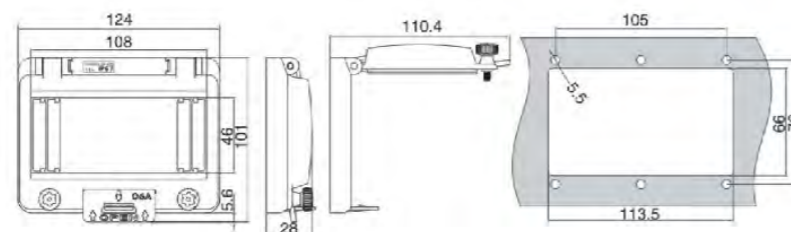
STK-04A



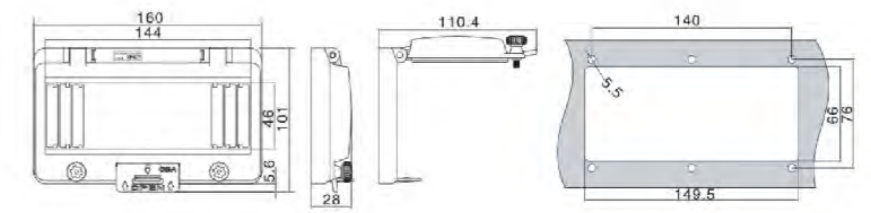
STK-05A



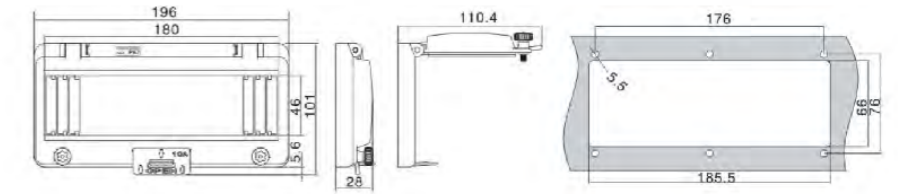
STK-06A



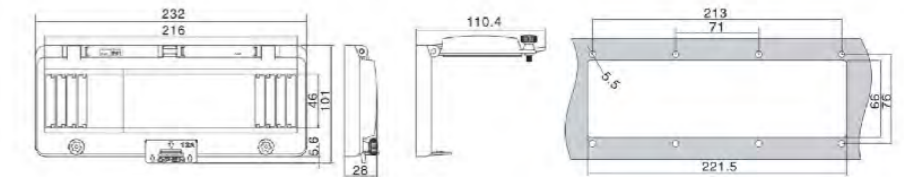
STK-08A



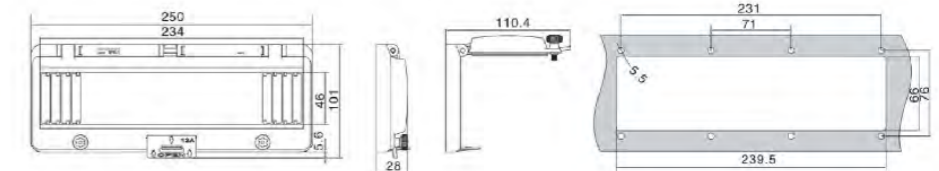
STK-10A



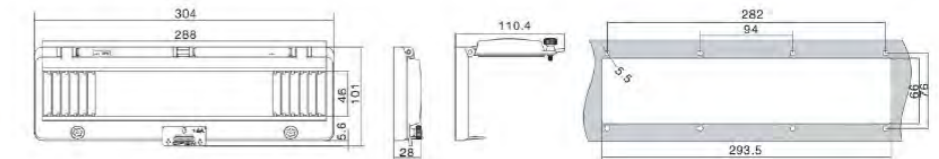
STK-12A



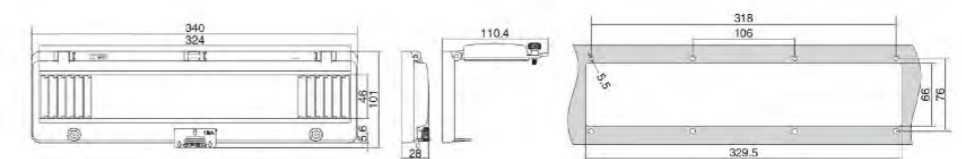
STK-13A



STK-16A



STK-18A

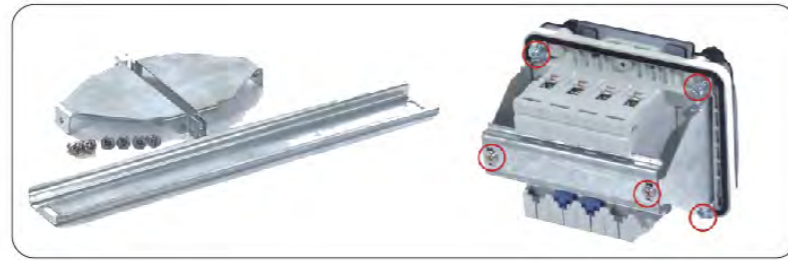


Transparent protective window cover (NEW)



Installation

Fix kit
D type
Bracket/Din rail/Bolts



X type
Adjustable bracket/Din rail/Bolts



Design highlights

1. Sealing Ring IP67

Silicone sealing ring, is anti-aging and more durable. Overall structure, with IP67 waterproof rating,



2. Lock option

Buckle integrated forming with the base, higher strength and seal performance. Lock option to improve safety.



3. Transparent cover

Clear display, surface scratch-resistant,



4. Guide ring structure

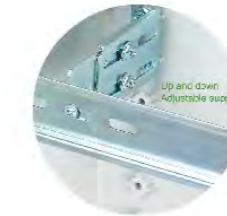
The rings are easy to hold for assembly; improve assembly efficiency.



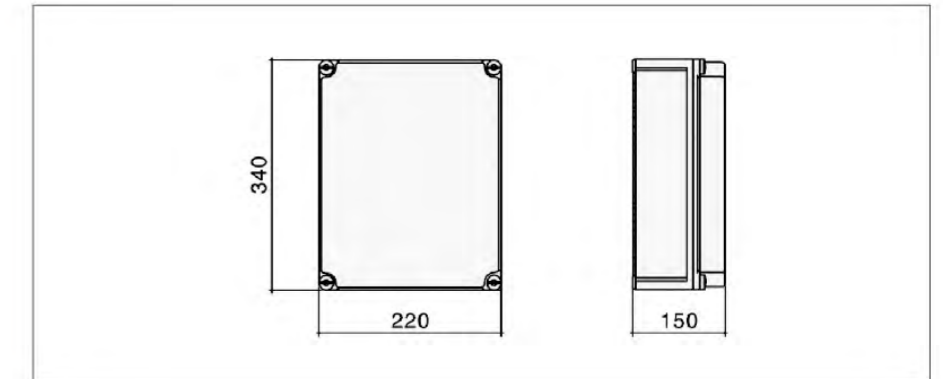
LK European series Waterproof electrical box

European series Waterproof electrical box

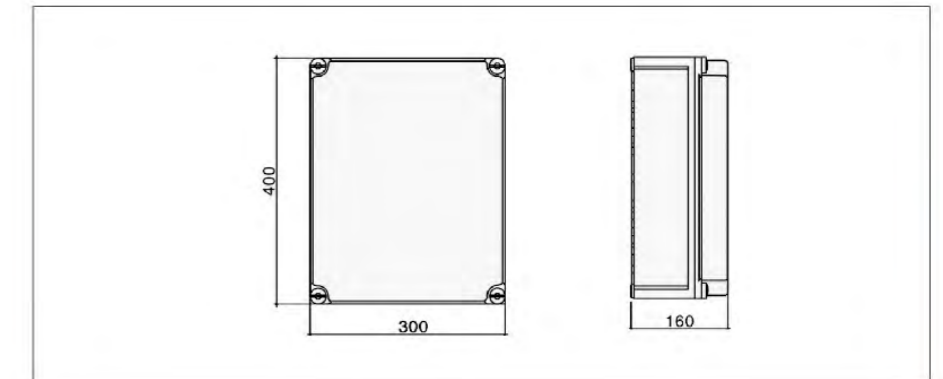
- Waterproof, dustproof, corrosion proof, strong installation. Any open mode can be customized according to customer needs, complete specifications, easy installation.
- Executive Standard: IEC60529 IP65 EN60309



LK223415

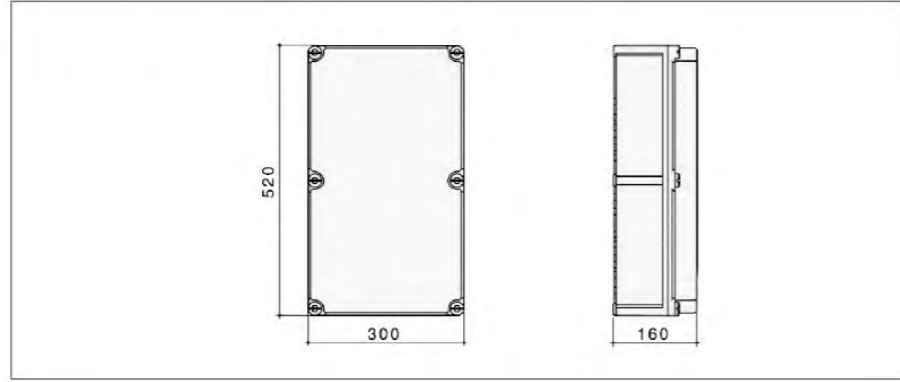


LK304016

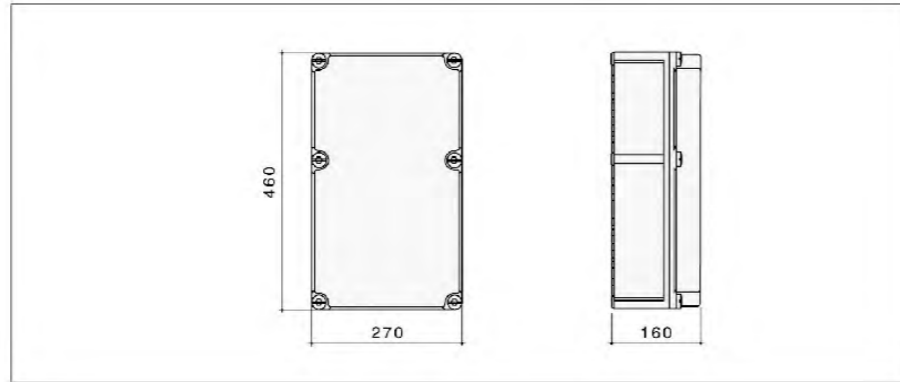




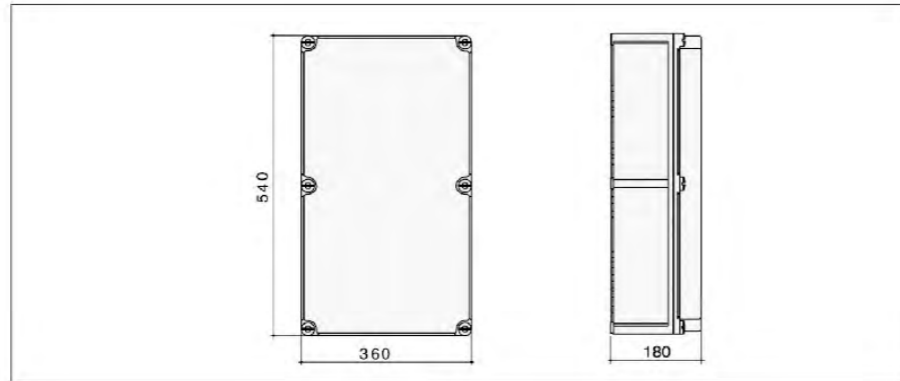
LK305216



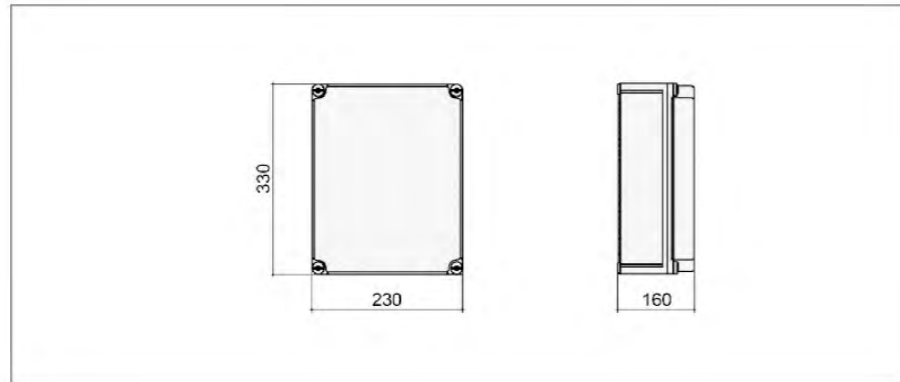
LK274616



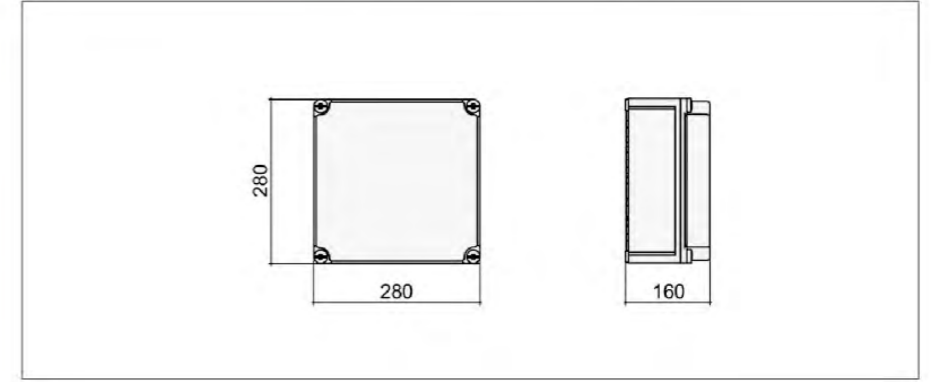
LK365418



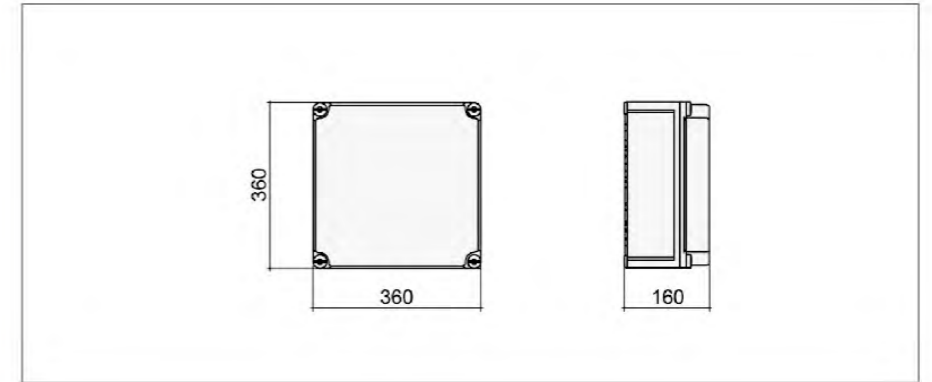
LK233316



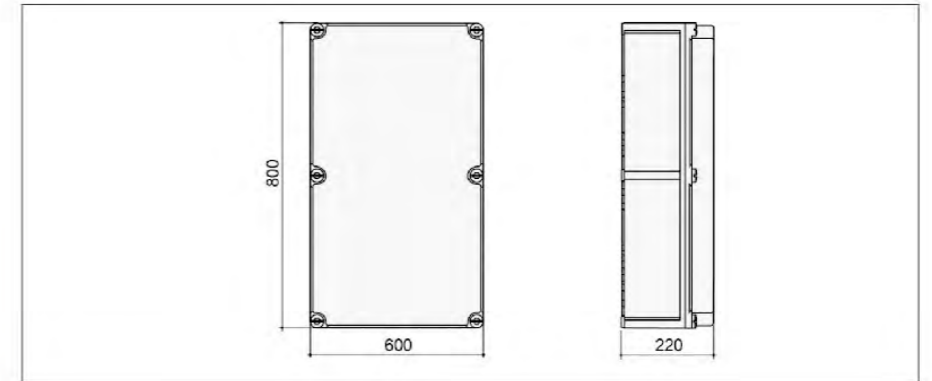
LK282816



LK363616



LK608022

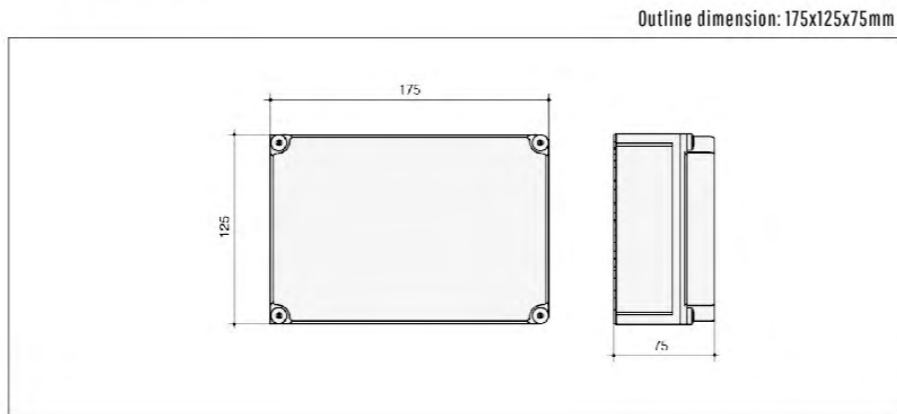




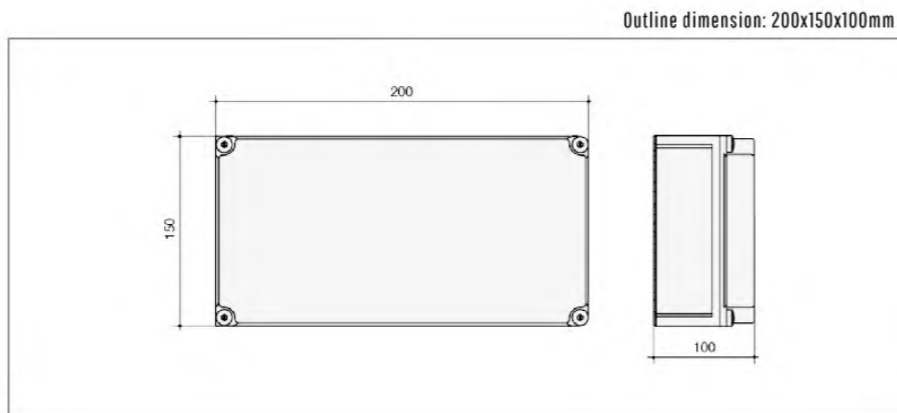
- Description: PC materials
- Widely used in various industries, for such equipment as halfway junction boxes, terminals and miniature electro-mechanical instruments, communication contact boxes, etc
- Reasonable price and easy operation
- color: milk white



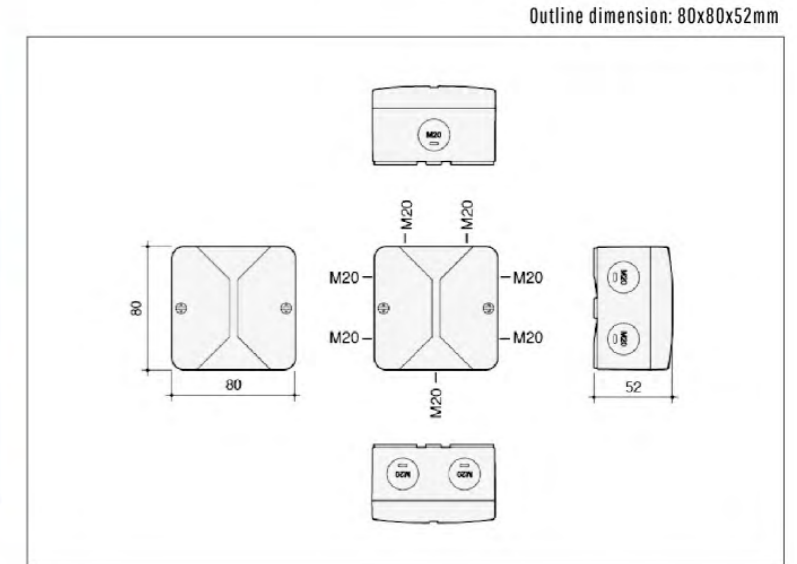
LK 171275-10/15P



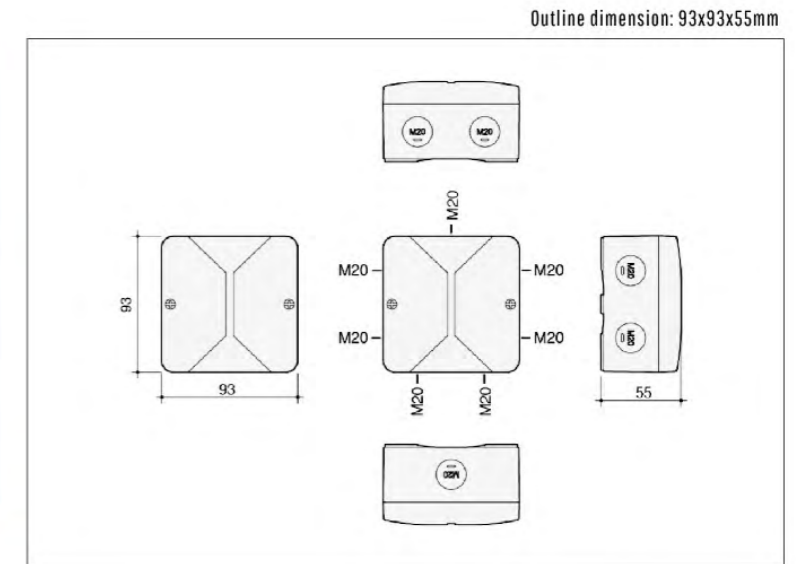
LK 201510-15/20P



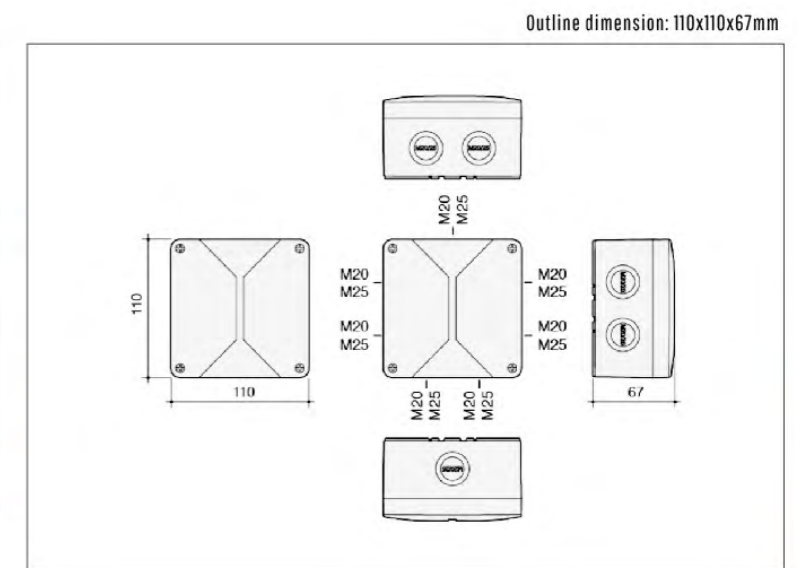
LK 808052



LK 939355



LK 111167



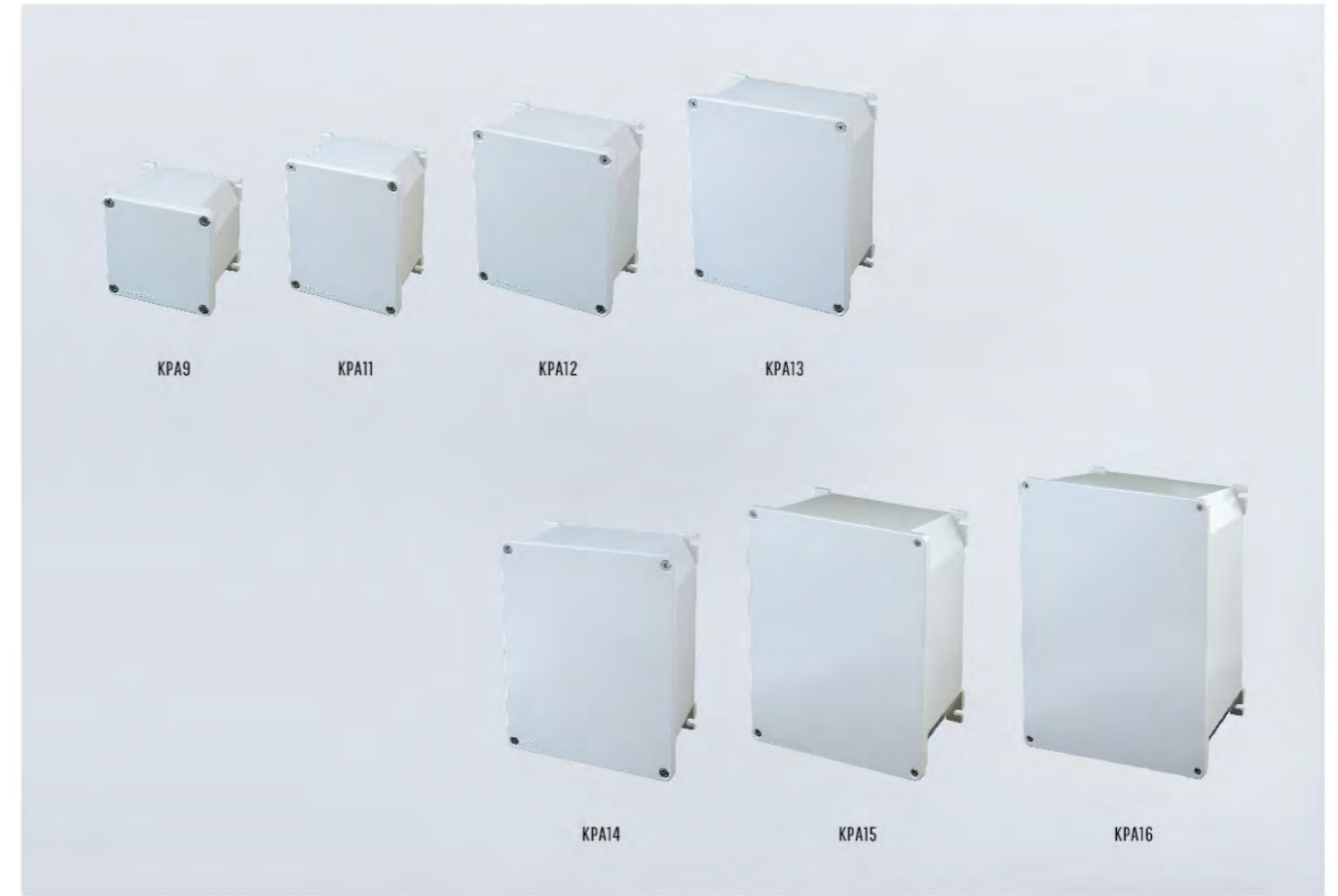
KPA series Explosion-proof cast aluminum junction box



Model No	R	S	T
KPA9	86	80	6
KPA11	100	120	6
KPA12	125	144	6.5
KPA13	149	168	6.5
KPA14	196	226	9
KPA15	236	275	9
KPA16	283	367	9



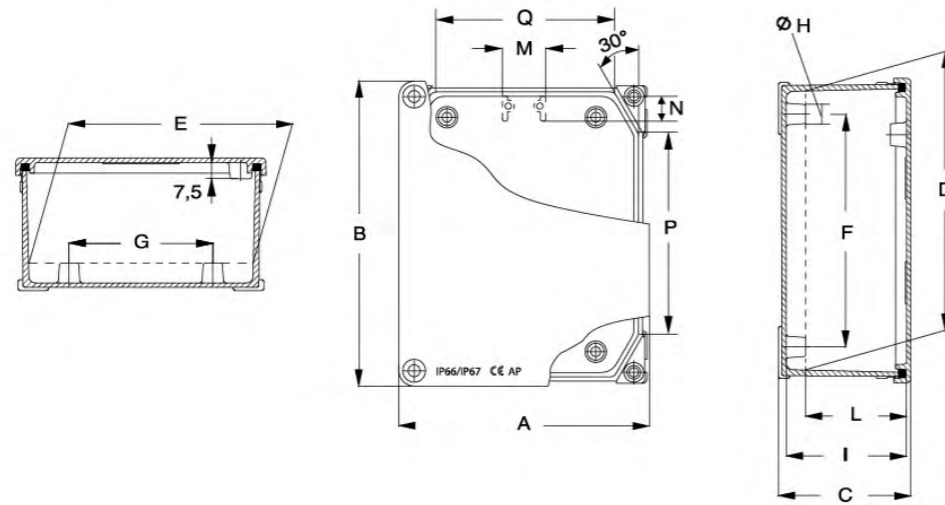
KPA series Explosion-proof cast aluminum junction box



Model No	A	B	C	D	E	F	G	H	I	L	M	N	P	Q
KPA9	100	100	59	88	88	66	70.5	10	53	44	-	-	48	65
KPA11	115	140	61	128	103	107	66	10	55	46	-	-	90	81
KPA12	141	166	64	153	128	121	99	12.5	58	49	-	-	104	100
KPA13	168	192	80	176	152	153	113	10	74	65	-	-	128	125
KPA14	217	253	93	236	201	188	153	12.5	85	75	38	21	169	162
KPA15	264	314	122	292	243	238	198	12.5	114	106	49	24	203	192
KPA16	315	410	150	386	291	333	248	12.5	141	126	61	31	295	245

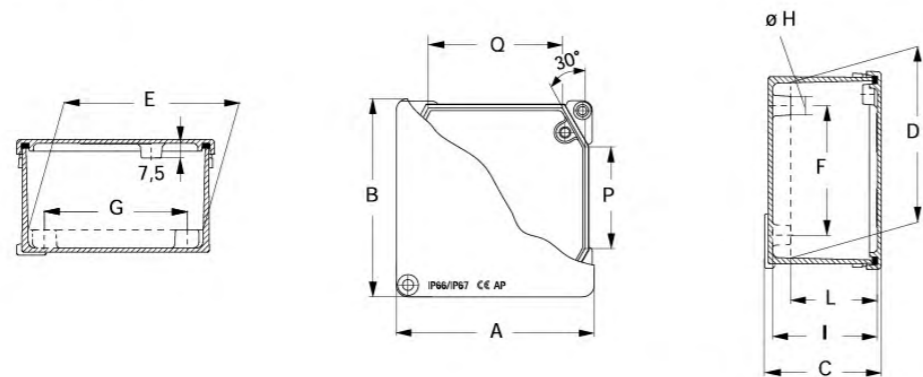
KPA .11/12/13/14/15/16

Dimensional drawing

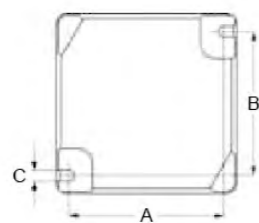


KPA .9

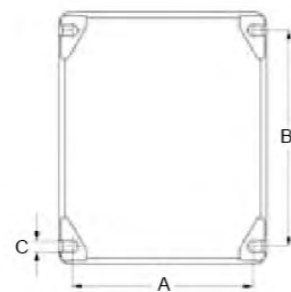
Dimensional drawing



KPA .9



KPA .11/12/13/14/15/16



DIN rail terminal block



Cable gland



Mounting plate

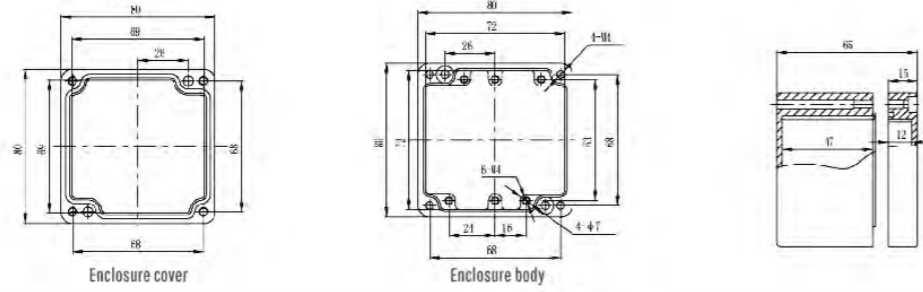


Invisible hinge - Earthing part

Model No.	Code No.	L(mm)	W(mm)	D(mm)
LK080807	510.080807	80	80	65
LK140806	510.140806	140	80	60
LK161007	510.161007	160	100	70
LK161609	510.161609	160	160	90
LK221208	510.221208	220	120	80
LK261609	510.261609	260	160	90
LK271509	510.271509	270	150	90
LK282311	510.282311	280	230	110
LK332312	510.332312	330	230	120
LK402311	510.402311	400	230	110

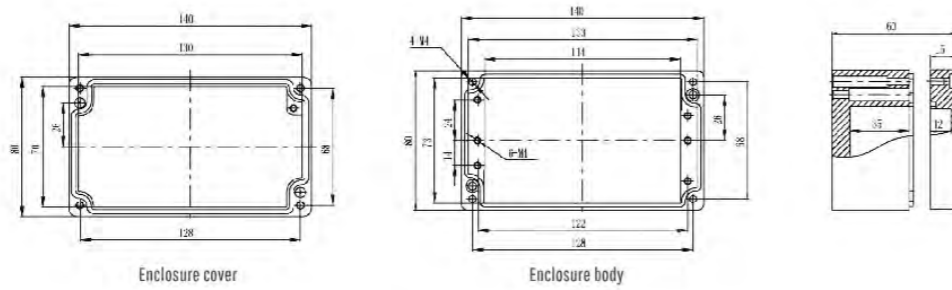
LK080807

Dimensional drawing



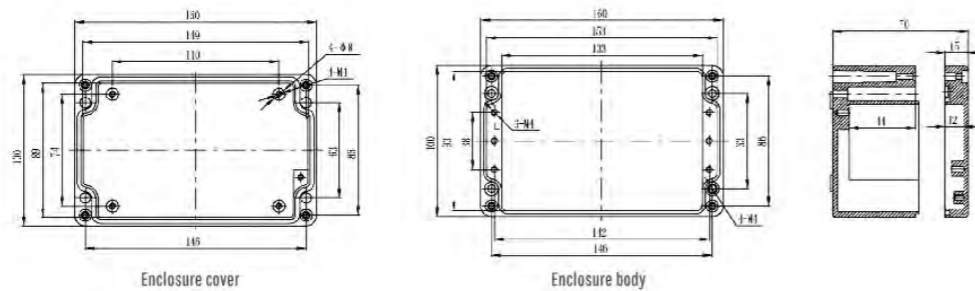
LK140806

Dimensional drawing



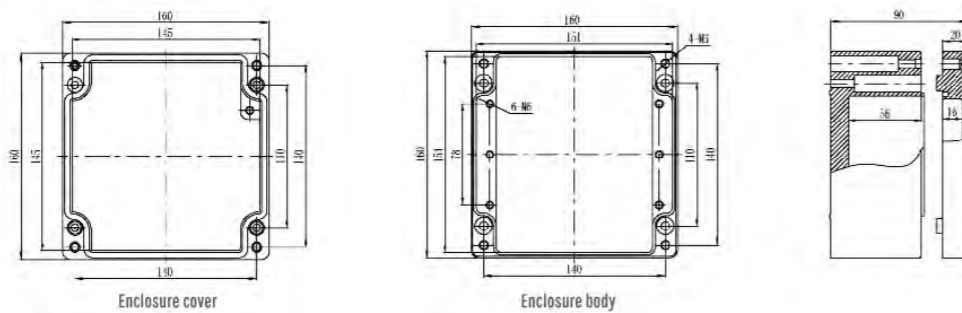
LK161007

Dimensional drawing



LK161609

Dimensional drawing

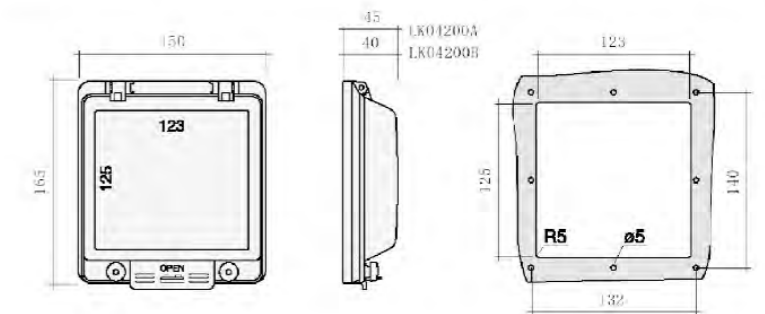


- It is applicable for special waterproof, dustproof and corrosion-proof locations
- Executive standard: IEC60529 IP65 EN60309



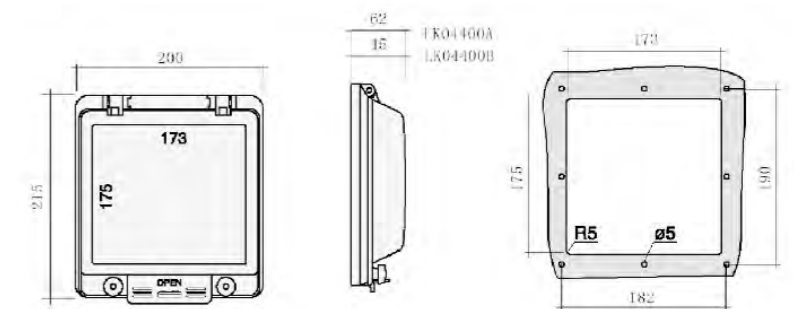
LK04-200

Outline dimension, mounting hole and hole position diagram of LK04-200 window product



LK04-400

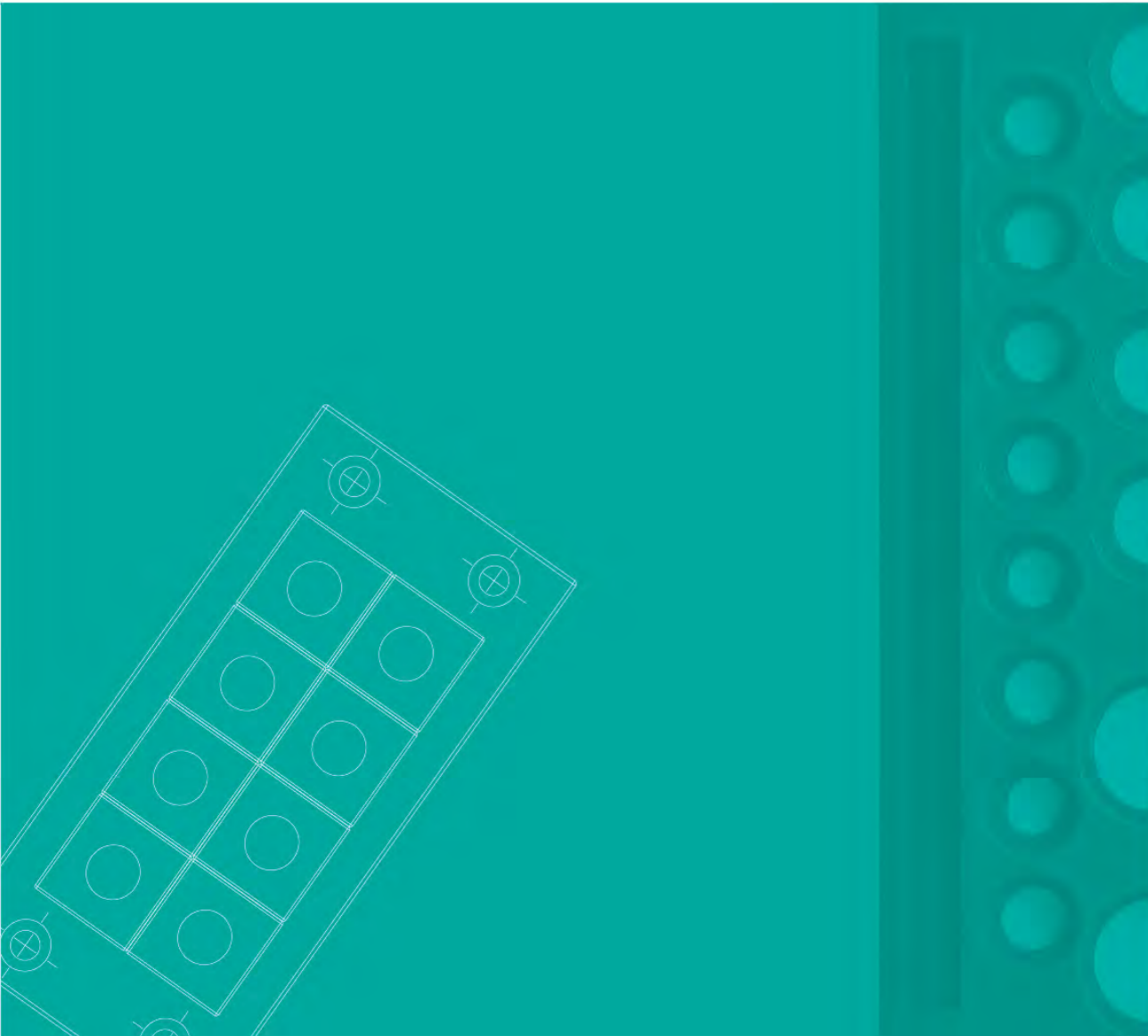
Outline dimension, mounting hole and hole position diagram of LK04-400 window product



LKP/N-Cable entry system

Expert in LKP/N-cable entry system systems

LINKWELL is the system supplier, with energy-saving, environmental protection, efficient product performance, to meet the requirements of LKP/N-cable input system.





LKP/N 24/11



LKP/N 24/12



LKP/N 24/13



LKP/N 24/14



LKP/N 24/17



LKP/N 24/17-1



LKP/N 24/22



LKP/N 24/22-1



LKP/N 24/23



LKP/N 24/29



LKP/N 24/29-1



LKP/N 24/80

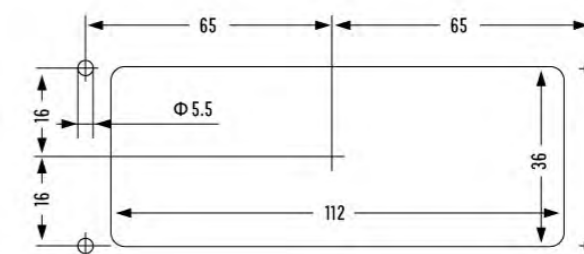
LKP

Material: improved polyamides	Color: black
Temperature range : -30°C - +70°C	The size of the hole: 36×112mm
Protection grade :IP65	Thickness of protection: 14mm
Flame retardancy (UL94):V0	Harmful ingredients: halogen-free
External dimensions: L=147mm×B=59×15mm	
The tensile properties are consistent DIN/EN 50262/98 weak acids and bases.	

Performance

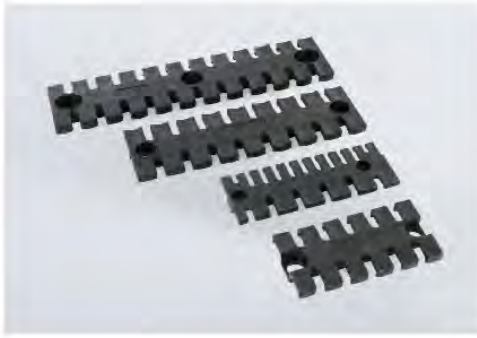
- Save space
- Built-in sealing structure
- Single entry mode
- The possibility of cable and cable marking

Appearance and installing size



Model No.	The corresponding cable diameter(mm)									Order number	Quantity
	1.5-2.6	2.5-5.0	3.0-6.5	4.1-8.1	5.0-9.2	8.0-12.5	9.0-14.0	9.6-15.9	14.0-20.0		
LKP/N 24/11	--	--	4	--	4	--	--	--	3	600011	11
LKP/N 24/12	--	--	--	--	--	12	--	--	--	600012	12
LKP/N 24/13	--	--	2	6	--	--	4	--	1	600013	13
LKP/N 24/14	--	--	6	--	4	--	--	4	--	600014	14
LKP/N 24/17	--	--	--	--	17	--	--	--	--	600017	17
LKP/N 24/17-1	--	--	11	1	--	5	--	--	--	600171	17
LKP/N 24/22	--	--	15	--	6	--	--	--	1	600022	22
LKP/N 24/22-1	--	--	16	--	4	2	--	--	--	600221	22
LKP/N 24/23	--	--	--	23	--	--	--	--	--	600023	23
LKP/N 24/29	--	--	29	--	--	--	--	--	--	600029	29
LKP/N 24/29-1	--	--	26	--	3	--	--	--	--	600291	29
LKP/N 24/80	78	2	--	--	--	--	--	--	--	600080	80

LK series Cable fixing frame



LK-MH

LK stress-relieving plates can be used to reduce the stress on cables, ropes or wires, making them reasonably arranged, simplifying and reducing costs.

Material: polyamides

Temperature range : -40 - +125 °C can be up to +140 °C in a short time.

Flame retardancy (UL 94): V0.

Model No.	Color	Order number	Quantity	Model No.	Color	Order number	Quantity
LK04	black	600011	12	LK87/50	black	600221	6
LK05	black	600012	15	LK103	black	600023	7
LK39	black	600013	3	LK121	black	600029	8
LK60	black	600014	4	LK140	black	600291	9
LK70	black	600017	5	LK180/6	black	600080	12
LK80	black	600171	6	LK180/8	black	600080	12
LK87/68	black	600022	6				

LK-KAF series Cable fixing frame



LK-MH

LK-KAF is to add C rail or HAT rail bayonet on standard LK products, easy and fast installation, no need of screw fixation.

Applicable :35mm HAT rail (EN 50022; Niedax 2934; 2936) or track C (Niedax2970); 2971).

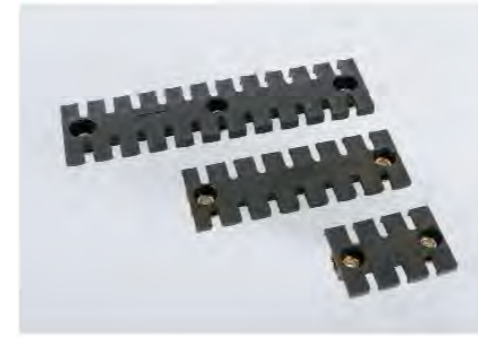
Material: polyamides.

Temperature range : -40 - +125 °C can be up to +140 °C in a short time.

Flame retardancy (UL 94):V0.

Model No.	Color	Order number	Quantity
LK-KAF11	黑色	600011	1
LK-KAF75	黑色	600012	5
LK-KAF140	黑色	600013	9

LK-MH series Cable fixing frame



LK-MH

MH is to add metal gaskets to standard LK products to enhance the fixed strength.

Material: polyamides.

Temperature range : -40 °C to +125 °C can be up to +140 °C in a short time.

Flame retardancy (UL94):V0.

Model No.	Color	Order number	Quantity	Model No.	Color	Order number	Quantity
LK-MH39	black	600011	3	LK-MH39/6	black	600221	3
LK-MH60	black	600012	4	LK-MH60/6	black	600023	4
LK-MH87	black	600013	6	LK-MH70/6	black	600029	5
LK-MH103	black	600014	7	LK-MH87/6	black	600291	6
LK-MH121	black	600017	8	LK-MH103/6	black	600080	7
LK-MH140	black	600171	9	LK-MH121/6	black	600080	8
LK-MH180	black	600022	12	LK-MH140/6	black	600080	9
				LK-MH180/6	black	600080	12

LK-SW series Cable fixing frame



LK-MH

SW is a metal fixing device which can be directly fixed on the C track on the standard LK products and is specially used in the locomotive industry.

Material: polyamides.

Temperature range : -40 °C to +125 °C can be up to +140 °C in a short time.

Flame retardancy (UL94):V0.

Model No.	Color	Order number	Quantity
LK-SW39	black	600011	3
LK-SW60	black	600012	4
LK-SW87	black	600013	6
LK-SW103	black	600014	7
LK-SW121	black	600017	8
LK-SW140	black	600171	9
LK-SW180/6	black	600022	12



SFZ/SKL EMC

Material

spring steel zinc-plated
SF/SFZ-foot Spring steel

The shield clamps SFZ/SKL range are used for shielding single cables in combination with strain relief. Simple to use and effective shielding of cables. Cables are secured with a cable tie. Strain relief in accordance with VDE standards is achieved. For assembly on 35 mm DIN rails.

Performance

- Simple and tool-free assembly cost effective solution
- Strain relief of the cable with shielding in a single device.
- Optimum contact permanent spring pressure and continuous spring pressure for cable shield layer.
- Cable shielding, no need to adjust the spring load.

Model No.	Order number	Protective diameter	Minimum order quantity
SFZ/SKL 3-5	36855	3.0-5.0mm	10
SFZ/SKL 6-8	36860	6.0-8.0mm	10
SFZ/SKL 9-11	36865	9.0-11.0mm	10



SF/SKL EMC

Material

spring steel zinc-plated
SF foot Spring steel

SKL range of protection clip is used to shield single cable. Easy to use and effective shielding cable. For assembly on 35 mm DIN rails.

Performance

- Optimal contact of the cable shield simple and tool-free assembly.
- Permanent and continuous spring pressure on the cable shield - adjustment of the pressure is not necessary.
- Space saving by an optimized arrangement.
- Cost effective solution.

Model No.	Order number	Protective diameter	Minimum order quantity
SF/SKL 3-5	36244	3.0-5.0mm	10
SF/SKL 6-8	36245	6.0-8.0mm	10
SF/SKL 9-11	36246	9.0-11.0mm	10



LFZ/SKL EMC

Material

spring steel zinc-plated

SKL shield clamps can be used for shielding single cables. The shield clamps enable an easy to use and reliable shielding of cables. Cables are secured with a cable tie. Strain relief in accordance with VDE standards is achieved.

Shield clamps are easily attached to mounting plates via screw.

Performance

- Comprehensive strain elimination.
- Optimum contact for cable shielding.
- Simple and tool-free assembly.
- Permanent and continuous pressure on the cable shield - no adjustment of the spring load required.
- Higher cost performance.

Model No.	Order number	Protective diameter	Applicable hole	Minimum order quantity
LFZ/SKL 3-5	36915	3.0-5.0mm	4.1mm	10
LFZ/SKL 6-8	36920	6.0-8.0mm	4.1mm	10
LFZ/SKL 9-11	36925	9.0-11.0mm	4.1mm	10



LF/SKL EMC

Material

SKL-clamp: spring steel, zinc-plated.

LF-foot: Steel, zinc-plated zinc-plated.

Fixing hole 4.2 mm for screw M4.

SKL shield clamps can be used for shielding single cables.

The shield clamps enable an easy to use and a reliable shielding of cables.

Performance

- Optimum contact for cable shielding.
- Simple and tool-free assembly.
- Permanent and continuous spring load on the cable shield - no adjustment of the spring load required.
- Vibration-proof, maintenance free.
- High packing density because of an optimized arrangement.

型号	订货号	防护直径	适用孔	起订量
LF/SKL 1.5-3	36251	1.5 - 3.0 mm	4.2 mm	10
LF/SKL 3-6	36253	3.0 - 6.0 mm	4.2 mm	10
LF/SKL 6-8	36255	6.0 - 8.0 mm	4.2 mm	10
LF/SKL 8-11	36256	8.0 - 11 mm	4.2 mm	10
LF/SKL 12-16	36257	12 - 16 mm	4.2 mm	10
LF/SKL 17-22	36258	17 - 22 mm	4.2 mm	10
LF/SKL 23-29	36259	23 - 29 mm	4.2 mm	10



SPS/SKL EMC

Material

SKL-clamp spring steel, zinc-plated
SPS- foot: spring steel.

Performance

- Easy to install to DIN rail 35 mm.
- Simple and no alcohol assembly high density packaging.
- Anti-vibration, maintenance-free cable shielding layer of the best contact.

Model No.	Order number	Protective diameter	Minimum order quantity
SPS/SKL 1.5-3	36855	1.5-3.0mm	5
SPS/SKL 3-6	36860	3.0-6.0mm	5
SPS/SKL 6-8	36865	6.0-8.0mm	5



PF/SKL EMC

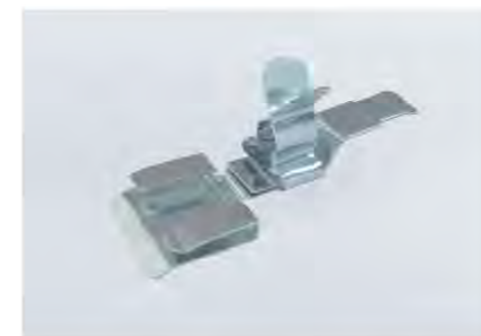
Material

SKL-clamp spring steel, zinc-plated.
PFS-foot: Spring steel.
Bus: copper, tin plated, current load 140A.
Specification: installed on 10x3mm bus.

Performance

- Easy installation to bus 10x3mm simple and tool-free assembly.
- High packing density, anti-vibration, maintenance-free cable protective layer of the best contact point.

Model No.	Order number	Protective diameter	Minimum order quantity
PF/SKL 1.5-3	36251	1.5 - 3.0 mm	5
PF/SKL 3-6	36253	3.0 - 6.0 mm	5
PF/SKL 6-8	36255	6.0 - 8.0 mm	5
PF/SKL 8-11	36256	8.0 - 11 mm	5
PF/SKL 12-16	36257	12 - 16 mm	5
PF/SKL 17-22	36258	17 - 22 mm	5
PF/SKL 23-29	36259	23 - 29 mm	5



PFZ/SKL EMC

Material

SKL-clamp spring steel, zinc-plated.
PFS-foot: Spring steel.
Bus: copper, tin plated, current load 140A.
Specification: to fix the cable by tightening 10x3mm busbar mounting cable strap.

Performance

- Comprehensive strain elimination.
- Easy installation to busbar 10x3mm simple and tool-free assembly, shockproof, maintenance-free cable shielding for optimal contact.

Model No.	Order number	Protective diameter	Minimum order quantity
PFZ/SKL 1.5-3	36244	1.5-3.0mm	5
PFZ/SKL 3-6	36245	3.0-6.0mm	5
PFZ/SKL 6-8	36246	6.0-8.0mm	5
PFZ/SKL 8-11		8.0-11.0mm	5



PFZ/SKL EMC

Material

SKL-clamp spring steel, zinc-plated.
PF-foot: spring steel.
Bus: copper, tin plated, current load 140A.
Specification: installed on 10x3mm bus.

Performance

- Easy to install to bus 10x3mm simple and toolless assembly with high packing density.
- Shock-proof, maintenance-free cable shielding layer for optimal contact.

Model No.	Order number	Protective diameter	Minimum order quantity
PFZ/SKL 1.5-3	36244	1.5-3.0mm	5
PFZ/SKL 3-6	36245	3.0-6.0mm	5
PFZ/SKL 6-8	36246	6.0-8.0mm	5
PFZ/SKL 8-11		8.0-11.0mm	5



LFZ/SKL EMC

Material

SKL-clamp Spring steel, zinc-plated.

PF-foot: spring steel.

Specifications: Screw mounting, 4.2mm hole fixing.

Performance

- Simple and tool-free assembly with high packing density.
- Shockproof, maintenance-free.
- Optimum contact for cable shielding.

Model No.	Order number	Protective diameter	Minimum order quantity
LFZ/SKL 1.5-3	36251	1.5 - 3.0 mm	5
LFZ/SKL 3-6	36253	3.0 - 6.0 mm	5
LFZ/SKL 6-8	36255	6.0 - 8.0 mm	5
LFZ/SKL 8-11	36256	8.0 - 11 mm	5
LFZ/SKL 12-16	36257	12 - 16 mm	5
LFZ/SKL 17-22	36258	17 - 22 mm	5
LFZ/SKL 23-29	36259	23 - 29 mm	5



TW/RL EMC

Material

SKL-clamp Spring steel, zinc-plated

PF-foot: spring steel.

Busbar: copper, tinned, current load to 140A.

Specifications: install by capturing 10x3mm busbars.

Performance

- Easy to install to busbar 10x3mm simplification and tool assembly.
- High packing density.
- The best contact for shockproof, maintenance-free cable shielding.

Model No.	Order number	Protective diameter	Minimum order quantity
TW/RL 1.5-3	36855	1.5-3.0mm	5
TW/RL 3-6	36860	3.0-6.0mm	5
TW/RL 6-8	36865	6.0-8.0mm	5



KLF EMC

Material

clamp Spring steel, zinc-plated.

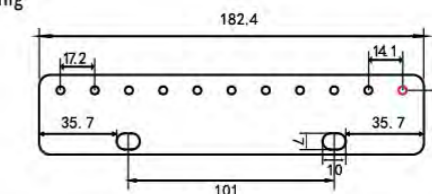
Bottom: stainless steel.

Performance

optimized design for higher mounting density.

Customization: can be customized according to customer's required size.

Dimensioned drawing



Model No.	Order number	Number of earthing terminals	Minimum order quantity
KLF 10/182.4(3-6)	36855	10	5
KLF 10/182.4(6-8)	36860	10	5
KLF 10/182.4(8-11)	36865	10	5



LF/SKL EMC

Material

clamp Spring steel, zinc-plated. Bottom: spring steel.

Fixed hole: 4.2mm

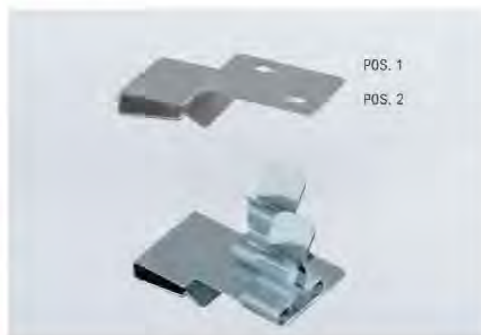
Performance

combined stress release.

The optimal contact area of the cable shield, no need for easy assembly of the tool, permanent and continuous elastic pressure on the cable shield, no need to adjust the pressure, shockproof, maintenance-free for 10x3mm busbar.

Customization: can be customized according to customer's required size.

Model No.	Order number	Protective diameter	Minimum order quantity
LF/SKL 1.5-3	36251	1.5 - 3.0 mm	5
LF/SKL 3-6	36253	3.0 - 6.0 mm	5
LF/SKL 6-8	36255	6.0 - 8.0 mm	5
LF/SKL 8-11	36256	8.0 - 11 mm	5
LF/SKL 12-16	36257	12 - 16 mm	5
LF/SKL 17-22	36258	17 - 22 mm	5
LF/SKL 23-29	36259	23 - 29 mm	5



TW2/RL EMC

Material

clamp Spring steel, zinc-plated. Bottom: spring steel.

Performance

combined stress release.

The optimal contact area of the cable shield, no need for easy assembly of the tool, permanent and continuous elastic pressure on the cable shield, no need to adjust the pressure, shockproof, maintenance-free for 10x3mm busbar. Customization: can be customized according to customer's required size.

Model No.	Order number	Wire diameter POS.1	Wire diameter POS.2	Minimum order quantity
TW2/RL 1.5-3	36251	1.5 - 3.0 mm	1.5 - 3.0 mm	5
TW2/RL 3-6	36253	3.0 - 6.0 mm	3.0 - 6.0 mm	5
TW2/RL 6-8	36255	6.0 - 8.0 mm	6.0 - 8.0 mm	5
TSC2/RL 0306	36256	1.5 - 3.0 mm	3.0 - 6.0 mm	5
TSC2/SKL 0308	36257	1.5 - 3.0 mm	6.0 - 8.0 mm	5
TSC2/SKL 0603	36258	3.0 - 6.0 mm	1.5 - 3.0 mm	5
TSC2/SKL 0608	36259	3.0 - 6.0 mm	6.0 - 8.0 mm	5
TSC2/SKL 0803	36259	6.0 - 8.0 mm	1.5 - 3.0 mm	5
TSC2/SKL 0806	36259	6.0 - 8.0 mm	3.0 - 6.0 mm	5



KLF EMC

Material

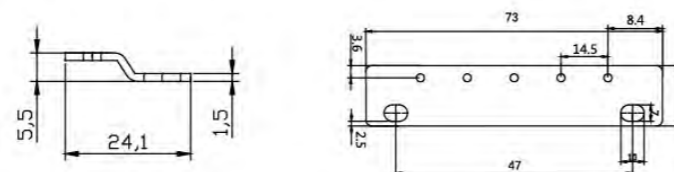
clamp Spring steel, zinc-plated. Bottom: stainless steel.

Performance

Advantages: optimized design for higher mounting density.

Customization: can be customized according to customer's required size.

Dimensioned drawing



Model No.	Number of earthing terminals	Order number	Minimum order quantity
KLF 5/73(3-6)	5	36855	5
KLF 5/73(6-8)	5	36860	5
KLF 5/73(8-11)	5	36865	5



KLF EMC

Material

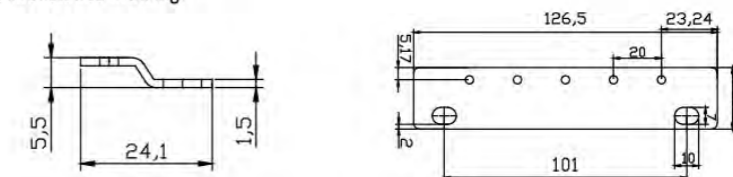
clamp Spring steel, zinc-plated. Bottom: stainless steel.

Advantages

optimized design for higher mounting density.

Customization: can be customized according to customer's required size.

Dimensioned drawing



Model No.	Number of earthing terminals	Order number	Minimum order quantity
KLF 5/126.5(3-6)	5	36855	5
KLF 5/126.5(6-8)	5	36860	5
KLF 5/126.5(8-11)	5	36865	5



KLF EMC

Material

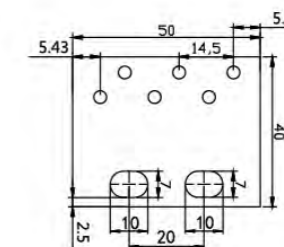
clamp Spring steel, zinc-plated. Bottom: stainless steel.

Performance

optimized design for higher mounting density.

Customization: can be customized according to customer's required size.

Dimensioned drawing



Model No.	Number of earthing terminals	Order number	Minimum order quantity
KLF 5/50(3-6)	6	36855	5
KLF 5/50(6-8)	6	36860	5
KLF 5/50(8-11)	6	36865	5

The electromagnetic compatibility of electrical equipment and devices has become extremely important, and we offer our customers different sizes of products.
Material: Steel



LK 2X2-6

Length	24 mm
Width	15 mm
Height	18 mm
Net weight	9.9 g
Minimum cable diameter	2 mm
Maximum cable diameter	6 mm



LK 3-8

Length	26 mm
Width	13 mm
Height	18 mm
Net weight	9 g
Minimum cable diameter	3 mm
Maximum cable diameter	8 mm



LK 3-8 FM4

Length	50 mm
Width	14.5 mm
Height	26 mm
Net weight	17.5 g
Minimum cable diameter	3 mm
Maximum cable diameter	8 mm



LK 4-13.5

Length	24 mm
Width	15 mm
Height	18 mm
Net weight	15.5 g
Minimum cable diameter	4 mm
Maximum cable diameter	13.5 mm



LK 4-13.5 FM4

Length	50.5 mm
Width	20.5 mm
Height	31.5 mm
Net weight	21.941 g
Minimum cable diameter	4 mm
Maximum cable diameter	13.5 mm

The electromagnetic compatibility of electrical equipment and devices has become extremely important, and we offer our customers different sizes of products.
Material: Steel



LK 10-20

Length	40 mm
Width	25 mm
Height	26 mm
Net weight	29.848 g
Minimum cable diameter	10 mm
Maximum cable diameter	20 mm



LK 10-20 FM4

Length	50.5 mm
Width	25 mm
Height	40 mm
Minimum cable diameter	10 mm
Maximum cable diameter	20 mm



LK 15-32

Length	64 mm
Width	36 mm
Height	32 mm
Net weight	80.8 g
Minimum cable diameter	15 mm
Maximum cable diameter	32 mm



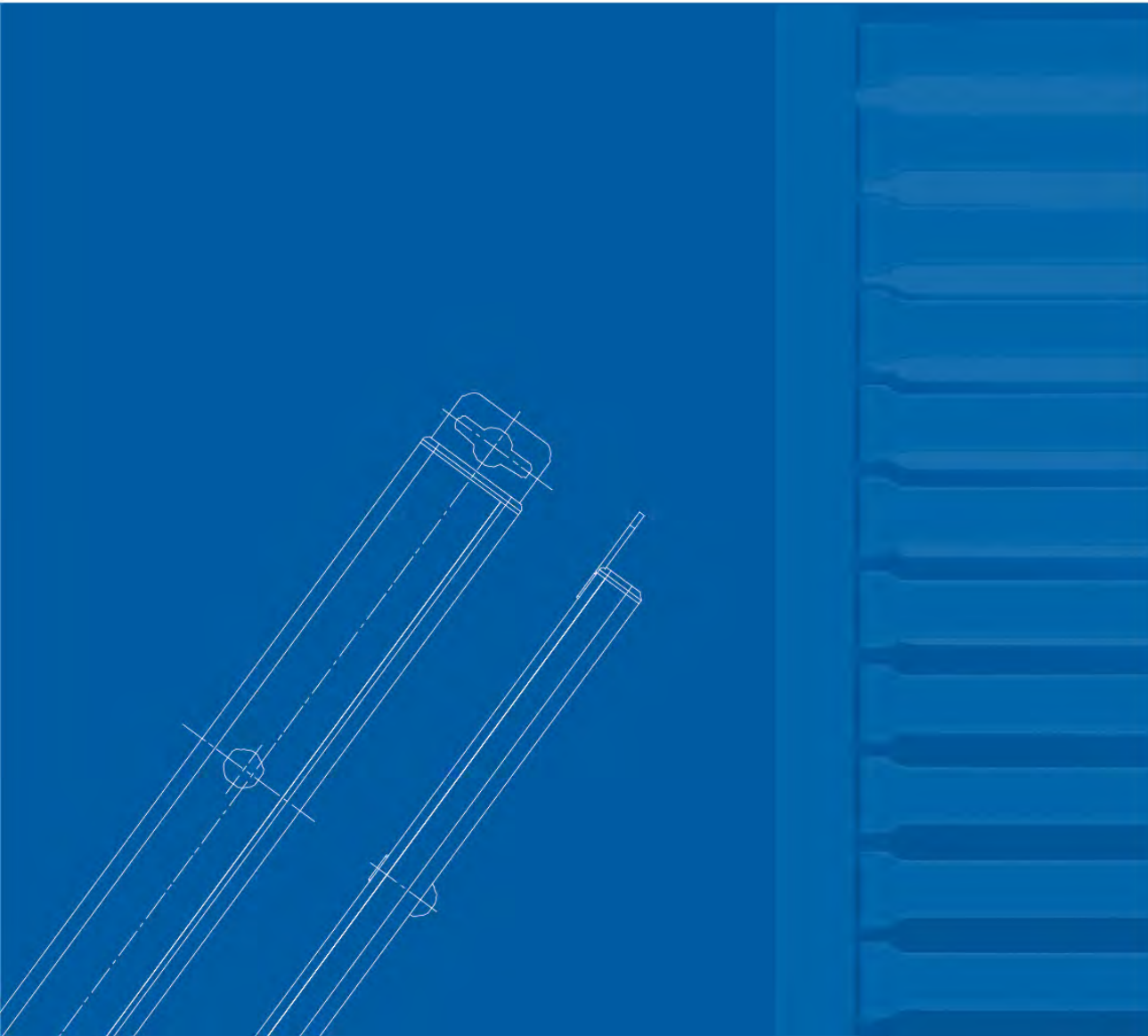
LK 15-32 FM4

Length	50.5 mm
Width	34.5 mm
Height	64 mm
Minimum cable diameter	15 mm
Maximum cable diameter	32 mm

Cabinet accessories

Cabinet accessories system expert

LINKWELL is the system supplier, with energy-saving, environmental protection, efficient product performance, to meet the requirements of cabinet accessories system.



LCL Panel LED light



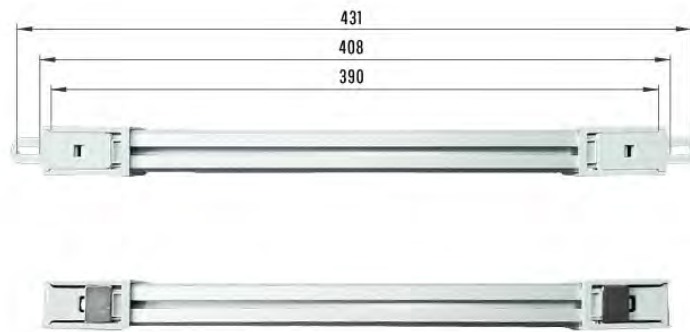
6W



Installation Accessories



Dimensions



Model	LCL-6W.230(screw fixing)	LCL-6W.024(screw fixing)
	LCL-6W.230-C(magnet fixing)	LCL-6W.024-C(magnet fixing)
Dimensions(L/W/H)	390x30x45	390x30x45
Fixing method	screw or magnet fixing	screw or magnet fixing
lamp body material	Aluminum+PC	Aluminum+PC
Surface treatment	Oxidation	Oxidation
Flame retardant grade (plastics)	V-1	V-1
input power	6W	6W
input voltage	110V-220V(Universal)	12V-48V(Universal)
Rated frequency	50/60	50/60
Input current	65mA	65mA
Consumed power	6kW/h	6kW/h
Luminous flux	500LM	500LM
Color temperature	6500±575K	6500±575K
Mean life	20,000h	20,000h
environment temperature	-30 ~ +50 °C	-30 ~ +50 °C
PIR	optional on 6W 230V model	

LCL Panel LED light



12W



Installation Accessories



Dimensions



Model	LCL-12W.230(screw fixing)	LCL-12W.024(screw fixing)
	LCL-12W.230-C(magnet fixing)	LCL-12W.024-C(magnet fixing)
Dimensions(L/W/H)	500x30x45	500x30x45
Fixing method	screw or magnet fixing	screw or magnet fixing
lamp body material	Aluminum+PC	Aluminum+PC
Surface treatment	Oxidation	Oxidation
Flame retardant grade (plastics)	V-1	V-1
input power	12W	12W
input voltage	110V-220V(Universal)	24V-48V(Universal)
Rated frequency	50/60	50/60
Input current	65mA	65mA
Consumed power	6kW/h	6kW/h
Luminous flux	500LM	500LM
Color temperature	6500±575K	6500±575K
Mean life	20,000h	20,000h
environment temperature	-30 ~ +50 °C	-30 ~ +50 °C

LK 025 Panel LED light

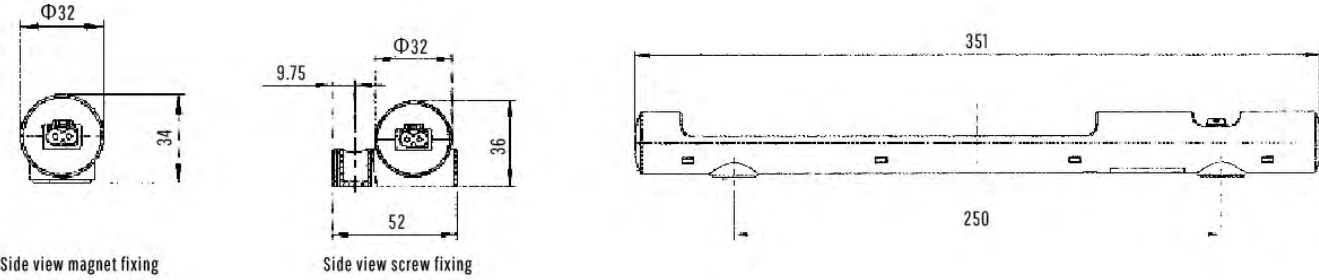


Performance

- Wide voltage range
- Integrated power unit
- Long-lived, maintenance-free
- Energy-saving by LED technology
- Daisy chain
- Magnet or screw fixing
- Quick connection

The lamp series LK 025 is suitable for all types of panels and enclosures, especially where space is at a premium. The lamps have a very long service life thanks to the use of LED technology. They are available with powerful non-slip rubberized magnets allowing them to be quickly positioned in any steel enclosure. Alternatively they can be fixed mechanically. The power output allows up to 10 lamps to be connected to each other (daisy chain). Both the power input and output connectors snap lock into their sockets. With the integrated power unit and the plugs the lamp can quickly be connected.

Dimensions



Power consumption	max. 5W			
Luminosity	290lm at 120 °C (870lm at 360 °C or equivalent 75W light bulb)			
Lamp type	LED, angle of radiation 120° Light color: daylight, color temperature: 6,500K			
Service life	60,000h at 20 °C (68°F) 2-pole connector with snap lock			
Connection	AC: max. 2.5A / 240VAC, color: white DC: max. 2.5A / 60VDC, color: blue			
Mounting	magnet fixing or screw fixing, M5, 250mm centers			
Casing	plastic, transparent			
Dimensions	351 x 34 x 32mm (with magnet fixing) 351 x 36 x 32mm (with screw fixing)			
Operating / Storage temperature	-30 - +60 °C (-22 - +140°F) / -40 - +85 °C (-40 - +185°F)			
Operating / Storage humidity	max. 90% RH (non-condensing)			
Protection type / Protection class	IP20 / II (double insulated)			

Art. No. magnet fixing	Art. No. Screw fixing	Rated operating voltage, frequency	Switch	Weight (approx.)
02540.0-00	02540.0-01	100-240VAC, 50/60Hz (min. 90VAC, max. 265VAC)	on/off light switch	0.2kg



LKL10-W / LKL10-W-3 Panel LED light



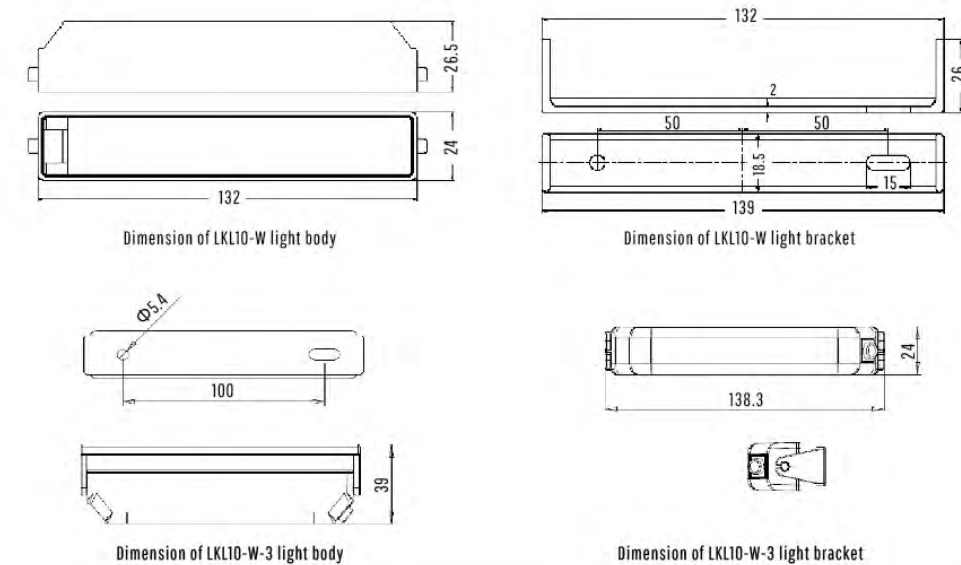
LKL10-W



LKL10-W-3 LED



Dimensions



Enclosure material	PC-ABS(halogen-free)
Protection category	IP 20
Power supply	AC(50/60Hz)/DC 110V-230V
Wire connection	1x4mm ² or 2x1.5mm ²
Insulating strength	AC2500V, 1Min
luminescence component	LED
Ambient temperature	-25~50 °C
Relative humidity	25~95 %
Mean life	More than 100,000h

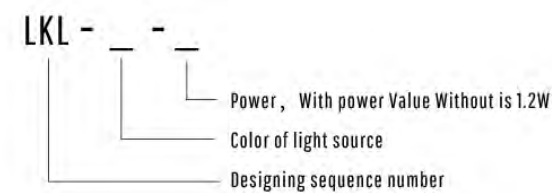
Application

LKL10-W Series LED light is designed for instrument cabinet illumination of various switchgear.

Features and advantage

- Economize on energy. In the case of illuminate effect same alike the traditional light, economizing on energy is 75% above.
- Life span is long, the LED light source, someone call it the longevity light, meaning to extinguish never. It's the solid cold light source, adopt a special electric circuit design, the life span can reach to for 100,000 hours, comparing traditional light source life span to grow 1000% above.
- The environmental protection performance is better, without ultraviolet ray and infrared rays in the spectrum, without calories and radiate, the dizzy light is small, and the castoff can recover, without pollution and do not contain the mercury chemical Element. The cold light source, can be touched, belong to typical model of the green illuminate light source.
- Special circuit design, if anyone LED is bad, it isn't without influence to normal lamination of others LED.
- Special structure design, light body position can be adjusted, that solves the problem of less lamination angle of LED.
- The power supply adapt to AC/DC 110-230V, suitable in application case of switchgear especially.
- With two mounting methods of clamp and fixation.

Models explanation



TYPE	LKL10-W	LKL10-W-3
Color of light source	White	Black
Power	1.2W	3W

Mounting

Assemble by clamp or bolt fixation. Assemble bracket first, then connect the power cable into light body terminal, insert the terminal side of light body into assemble hole of bracket, another side insert into the another side of bracket with screwdriver.

The angle between the support and the light body can be adjust according to the lamination need.

LKL10-W Light body



LKL10-W Bracket



LKL10-W assembled

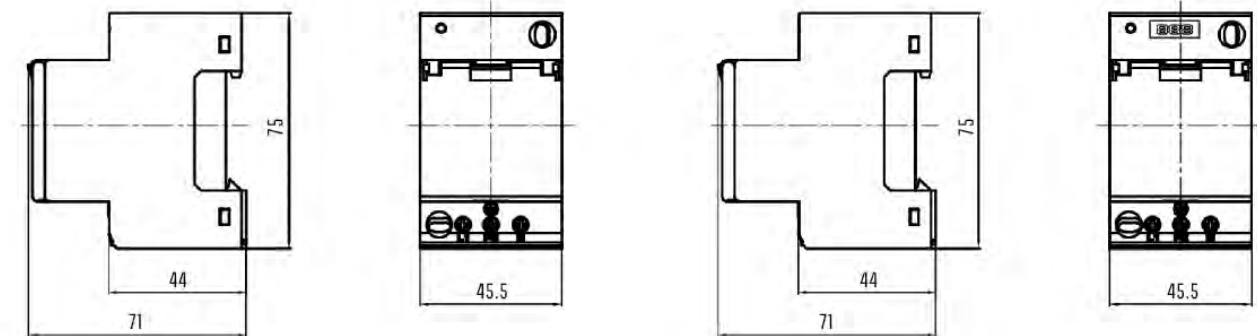


Overview

This product series is the latest rail-type modular jack (Euro-standard) developed by LINKWELL. It can be divided into KAC30-1 and KAC30-2 for different users. It can be installed in the cabinet, suitable for DIN-rail installation, and can be used with other modular terminal electrical appliances, with good contact reliability. The KAC30-2 features humanized digital display, real-time display of high and low voltage changes, which can reduce the fault tolerance caused by voltage, its observability and safety are better guaranteed.

1. Modular is in accordance with a certain standard size and structure composition, can be arbitrarily combined out of the required configuration.
2. The products are mainly used in homes, offices, farms, light industries, etc., and can be used by non-professionals. In most cases, they are connected to electricity and equipment.
3. The sockets in the modular socket are of standard size (mainly with Euro-standard or DIN-Standard plug). The structure has single phase 2 holes, single phase 3 holes, three phase 3 holes, three phase 4 holes.
4. The main installation method is DIN-rail installation (or screw installation), which is easy to install and disassembly.

Dimensions



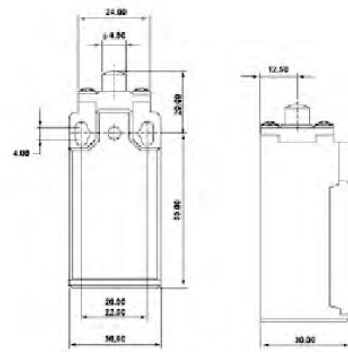
KAC30-1 (No Digital)

KAC30-2 (With Digital Display)

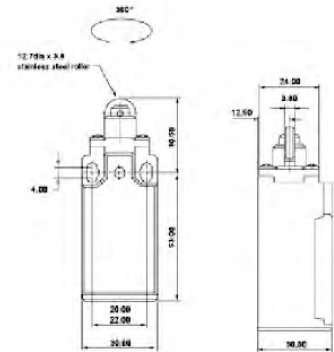
Model	KAC30-1 (No Digital), KAC30-2 (With Digital Display)
Rated voltage	180-250V
Rated current	10-16A
Protection class	IP20
Shell material	Polyamide PA66
Product dimensions (H/W/D)	75×45.5×71mm
Conductive material	Copper
Pole	2P
Weight	66g
Operating temperature range	-20- +150 °C
Service life	30000h
Wiring cross-section	Solid 0.2-4mm ² Flexible 0.25-2.5mm ² AWG24-12
Screw-thread	M3
Mounting	35mm DIN DIN-rail
Approvals	CE/3C



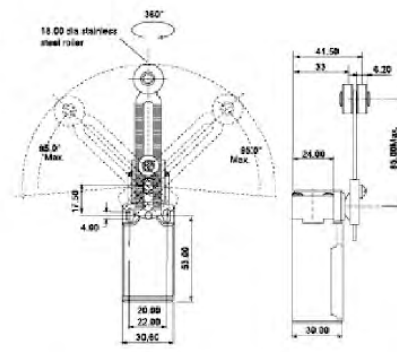
Dimensions



PLS-101



PLS-103



PLS-131 (Thermoplastic roller available)

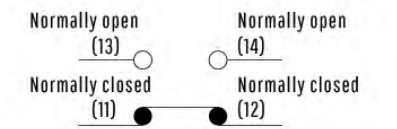
Code	PLS	101 301	103 303	111 311	121 321	127 327	131 331	161 361	171 371	181 381	191 391
Operating force	OF (Max.)	700g	700g	700g	500g	700g	500g-cm	100g	100g	100g	500g-cm
Release force	RF (Min.)	200g	200g	200g	100g-cm	200g	100g-cm	40g	40g	40g	100g-cm
Pre-Travel	PT (Max.)	1.8mm	1.8mm	1.8mm	20°	1.8mm	20°	30mm	30mm	30mm	20°
Tripping position	TP±10%	2.0mm	2.0mm	2.0mm	22.5°	2.0mm	22.5°	22.5°	22.5°	22.5°	22.5°
Movement differential	MD (Max.)	1.2mm	1.2mm	1.2mm	10°	1.2mm	10°	14°	14°	14°	10°
After travel	OT (Min.)	4.0mm	4.0mm	4.0mm	75°	4.0mm	75°	20mm	20mm	20mm	75°
Total travel	TT (Min.)	5.8mm	5.8mm	5.8mm	95°	5.8mm	95°	50mm	50mm	50mm	95°
Angle of rotary lever					22.5°		22.5°				22.5°



Features

- Economic thermoplastic
- Stainless steel roller, punch, and Spring
- Max. ±95° rotary lever
- Cable gland size M20*1.5

Contact configurations

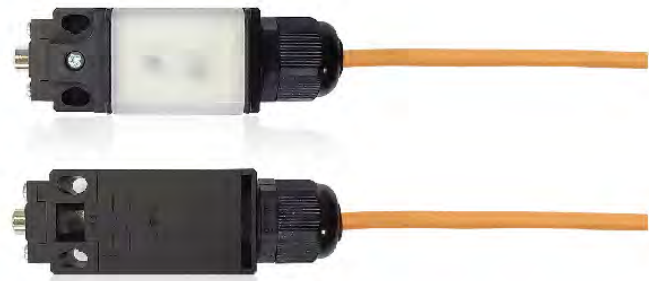


Operating speed	0.5 mm/s to 50cm/s (in case of pin plunger)
Operating frequency	Mechanical: 120 operations/ min Electronic: 30 operations/ min
Contact Resistance	25mΩ (mm) (Initial)
Insulation resistance	100mΩ Min. at 500VDC
Dielectric strength	1000VAC, 50/60Hz/ 1 min between terminals of same polarity 1500VAC, 50/60Hz/ 1 min between current-carrying metal parts and ground 1500VAC, 50/60Hz/ 1 min between each terminal and non- current-carrying metal part
Vibration resistance	10-55 Hz, 1.5mm double amplitude
Shock resistance	Mechanical durability: 1,000m/Sec2(approx.100G`S) False action durability: 300m/Sec2(approx.30G`S)
Ambient operating temperature	Operating -10 --+ 70 °C (no icing)
Ambient operating Humidity	95%RH Max
Service life	Mechanical >10,000,000 operations, Electrical >500,000 operations
Degree of protection	IP65 (IEC standard)

Ratings

Rated voltage	Non-inductive load (A)				Inductive load (A)			
	Resistive load		Lamp load		Inductive load		Motor load	
	NC	NO	NC	NO	NC	NO	NC	NO
125VAC	5	5	1.5	0.7	3	3	2	1
250VAC	5	5	1	0.5	3	3	1.5	0.8
8VDC	5	5	3	3	5	4	3	3
14VDC	5	5	3	3	4	4	3	3
30VDC	5	5	3	3	4	4	3	3
125VDC	0.4	0.4						
250VDC	0.2	0.2						
Inrush current	N.C.:24A max. - N.O.:12A max.							

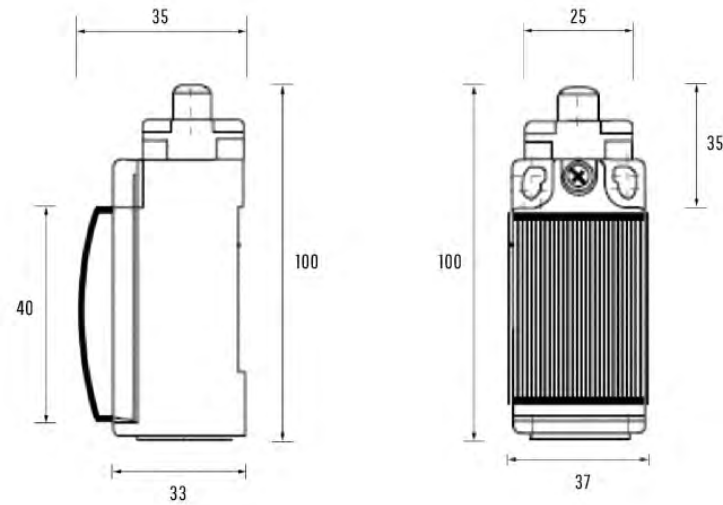
Note: 1. Inductive loads have a power factor of 0.4 min. (AC) and a time constant of 7 msec max. (DC).
 2. Lamp loads have an inrush current of 10 times the steady-state current. Motor loads have an inrush current of 6 times the steady-state current.
 3. For the products with spring, the operating range is limited to the part from the front of the spring to the 1/3 full length of the spring.



Features

- Small size, high light efficiency.
- Smooth movement, stable performance.
- Switch life up to 1 million times.
- High quality nylon waterproof cable head.
- Precision stainless steel punch switch.
- High performance flame retardant ABS.

Dimensions



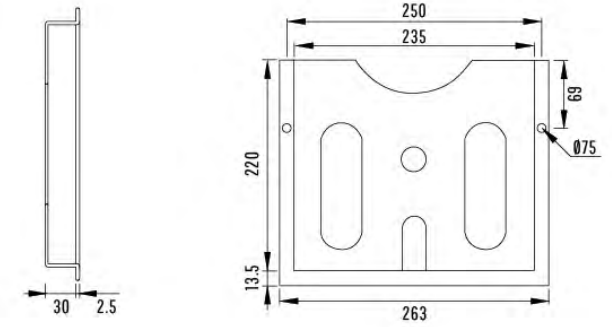
Model No.	PCLS LED40
Rated voltage	AC 180-230 V
Rated power	7 W
Luminous flux	>600 LM
Color temperature	6000-6500 K
Mean life	20,000 h
Operating temperature range	-10-+70 °C
Weight	176g
Dimensions	W37×D35×H100mm
Switch Mode	Stroke (gated) switch
Mounting	Screw fixing
Cable length	2000mm
Protection degree	IP20
Power interface	Positive and negative pole (L/N)
Operation frequency	Mechanical 120 operations/min, Electrical 30 operations/min



WJ-1

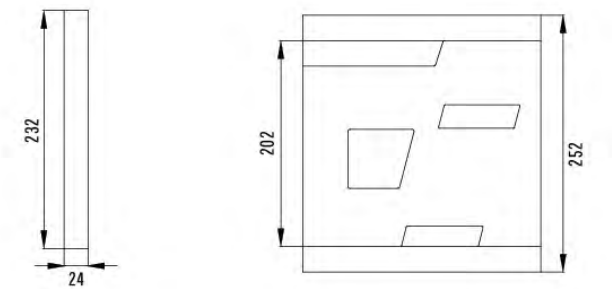
Dimensions

WJ-1



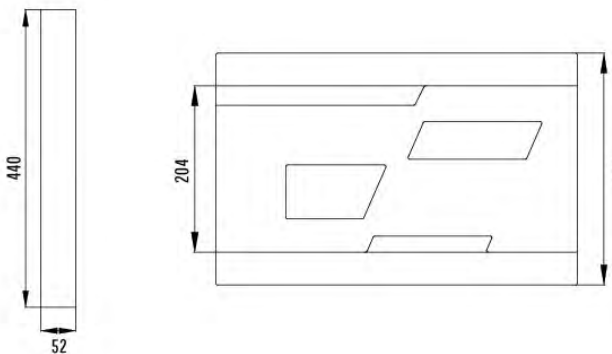
WJ-3

WJ-3



WJ-4

WJ-4



Product back



WJ-1(A4)



WJ-3(A4)



WJ-4(A3)

Material :
plastic ABS with self-adhesive fastening strips 3M adhesive tape

Installation:
Plastic Documents Pockets for affixing to the inside surfaces of panel doors, Screw mounting or adhesive tape mounting.

Colour:
Similar to RAL7035

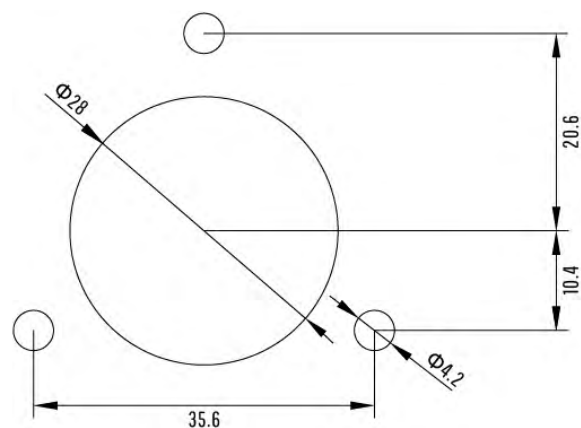
LK-705 Air Pressure Ventilator



Overview

Sealed enclosures when subject to external temperature fluctuations develop pressure differential toward the ambient. As a consequence entrance of dust and/or humidity is likely to happen through leakage points. Installing a LK-705 prevents this risk while preserving a high protection degree for the enclosure.

Dimensions



Features	unit	Characters
Material	-	ABS self-extinguishing
Color	-	Grey(RAL7035), Black(RAL9005)
Protection degree	-	IP54
Fixing	-	Screws with rubber gasket
Dimensions H/W/D	mm	70x50x21
Weight	kg	0.03



L-UD/R,L-VD/R Low smoke halogen free wiring duct



Polycarbonate (PC) + Engineering Plastics (ABS)
The new low-smoke halogen-free reinforced trunking

Material:

Polycarbonate (PC) + Engineering plastics (ABS), halogen-free, low-smoke environmentally friendly insulation materials, electrical and fire safety.

Flammability rating:

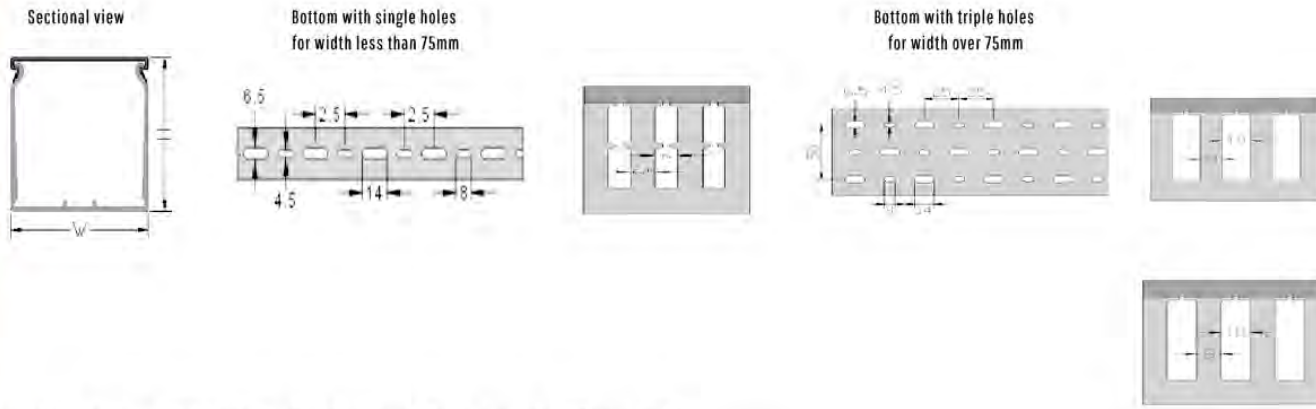
UL94 V-0 Non-flame spread product

Construction:

1. Sides get thick, enhanced gradually from top to bottom, and improving sides strength and reliability.
2. Double layers are applied to the joint of cover and sides.
3. The indent bottom right angle is easy to be folded. While connecting with the vertical duct by cutting two ends to form straight, flat outlets, fully protect the cable.
4. The floor is with rails, allowing to add traps to tighten wires and make it organized, neat and save space.

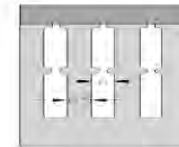


L-UD/R,L-VD/R Low smoke halogen free wiring duct



L-UD/R series low-smoke halogen-free insulated wiring trough (reinforced type)

Model	Specification		Slot width mm	Sliver width mm	Wires to be Contained	Package meter
	Height(mm)	Width(mm)				
L-UD/R 25/25	25	25	10	10	10-25pcs	100
L-UD/R 37.5/37.5	37.5	37.5	10	10	60-70pcs	100
L-UD/R 50/25	50	25	10	10	20-30pcs	100
L-UD/R 50/37.5		37.5	10	10	20-35pcs	80
L-UD/R 50/50		50	10	10	80-90pcs	80
L-UD/R 50/75		75	10	10	180-200pcs	48
L-UD/R 50/100		100	10	10	220-250pcs	48
L-UD/R 75/25	75	25	10	10	50-55pcs	60
L-UD/R 75/37.5		37.5	10	10	110-115pcs	60
L-UD/R 75/50		50	10	10	180-200pcs	48
L-UD/R 75/75		75	10	10	200-240pcs	36
L-UD/R 75/100		100	10	10	260-320pcs	24

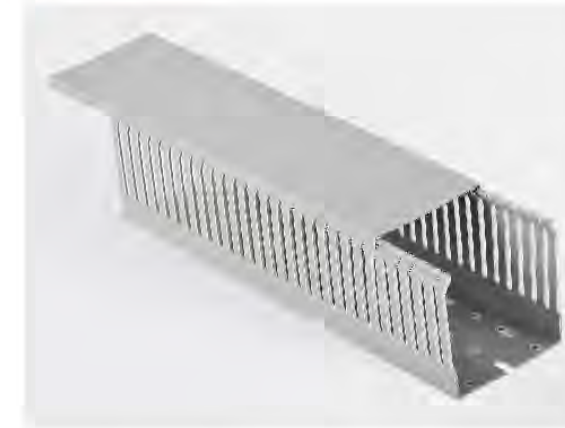


L-VD/R series low-smoke halogen-free insulated wiring trough (reinforced type)

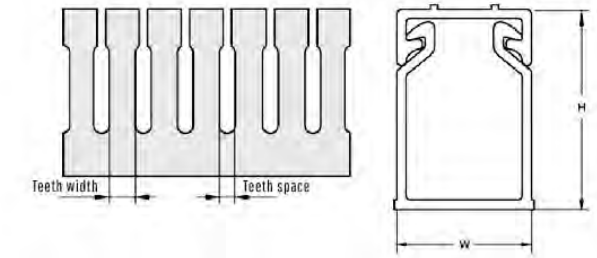
Model	Specification		Slot width mm	Sliver width mm	Wires to be Contained	Package meter
	Height(mm)	Width(mm)				
L-VD/R 25/25	25	25	6	6.5	10-25pcs	100
L-VD/R 37.5/37.5	37.5	37.5	6	6.5	60-70pcs	100
L-VD/R 50/25	50	25	6	6.5	20-30pcs	100
L-VD/R 50/37.5		37.5	6	6.5	20-35pcs	80
L-VD/R 50/50		50	6	6.5	80-90pcs	80
L-VD/R 50/75		75	6	6.5	180-200pcs	48
L-VD/R 50/100		100	6	6.5	220-250PCS	48
L-VD/R 75/25	75	25	6	6.5	50-55pcs	60
L-VD/R 75/37.5		37.5	6	6.5	110-115pcs	60
L-VD/R 75/50		50	6	6.5	180-200pcs	48
L-VD/R 75/75		75	6	6.5	200-240pcs	36
L-VD/R 75/100		100	6	6.5	260-320pcs	24



KD series Insulated wiring duct



Dimensions



Wide slot/finger	Dimension		Teeth space-Teeth width(mm)			Package meter
	Model No.	H(mm)	W(mm)	4-6	6-6	
KD 25 25	25	25	•			100
KD 30 20	30	20	•			100
KD 30 35		35	•			100
KD 30 30		30	•			100
KD 35 35	35	35	•			100
KD 40 25	40	25	•			100
KD 40 40		40	•			100
KD 40 60		60	•			64
KD 40 80		80	•			48
KD 45 33	45	33	•			100
KD 45 45		45	•			80
KD 50 25		25	•			100
KD 50 35	50	35	•			100
KD 50 45		45	•			80
KD 50 50		50	•			80
KD 50 60		60	•			48
KD 50 80		80	•			48
KD 60 40	60	40	•			64
KD 60 60		60	•			48
KD 60 80		80	•			36
KD 65 33	65	33	•			80
KD 65 45		45	•			80
KD 65 65		65	•			48
KD 80 25	80	25	•		•	60
KD 80 35		35	•		•	60
KD 80 40		40	•		•	48
KD 80 45		45	•		•	48
KD 80 50		50	•		•	48
KD 80 60		60	•		•	36
KD 80 80		80	•		•	36
KD 80 100		100	•		•	24
KD 80 120	120	•		•	24	
KD 100 35	100	35		•		48
KD 100 40		40		•		48
KD 100 50		50		•		48
KD 100 60		60		•		36
KD 100 80		80		•		24
KD 100 100		100		•		24
KD 100 120		120		•		24

LD series Insulated wiring duct



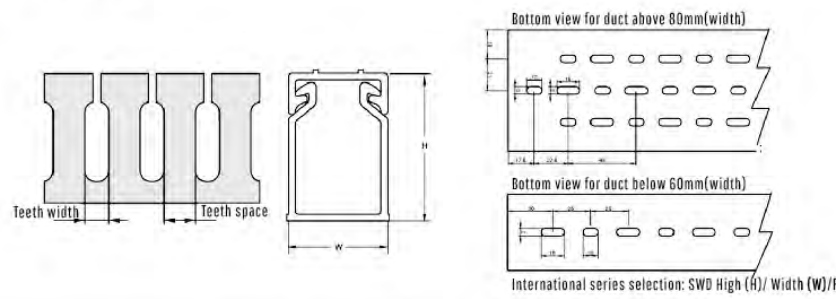
Description

Manufactured with high quality rigid PVC, ROHS compliant, low smoke
 Flammability rating:
 UL94V-0 flammability class, good self-extinguishing, good insulation properties.

Construction

1. Consist of base and cover, Easy and firm snap-on assembly, smooth joining for a better finish.
 2. With aligned slot, Smooth corners and edges will not damage or disfigure wires.
 3. Variable sizes and multi type side holes, easily for installation and wiring digrame.
 4. Special mark line design on the cover can allow a quick tag of relevant components.
- Color: grey (White, blue, black, etc. can be customized)
 Temperature: -20°C ~ 85°C

Dimensions

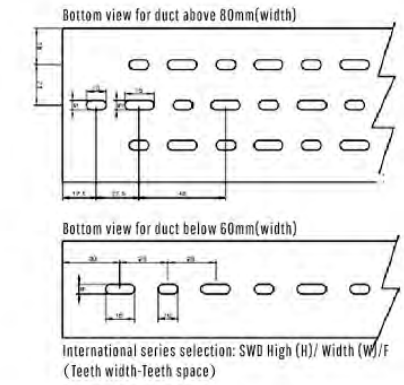
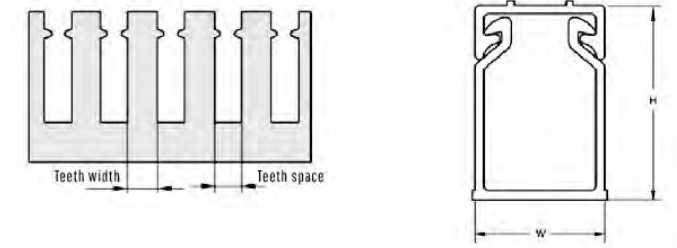


Wide slot/finger	Dimension		Teeth space-Teeth width(mm)			Package	
	Model No.	H(mm)	W(mm)	6-8	8-10		10-10
LD 50 25	50	25	•			100	
LD 50 35		35	•			100	
LD 50 45		45	•			80	
LD 50 50		50	•			80	
LD 50 60		60	•			48	
LD 50 80		80	•			48	
LD 60 40	60	40		•		64	
LD 60 60		60		•		48	
LD 60 80		80		•		36	
LD 65 33	65	33		•		80	
LD 65 45		45		•		80	
LD 65 65		65		•		48	
LD 80 25	80	25		•		60	
LD 80 35		35		•		60	
LD 80 40		40		•		48	
LD 80 45		45		•		48	
LD 80 50		50		•		48	
LD 80 60		60		•		36	
LD 80 80		80		•		36	
LD 80 100		100		•		24	
LD 80 120		120		•		24	
LD 100 35		100	35			•	48
LD 100 40	40				•	48	
LD 100 50	50				•	48	
LD 100 60	60				•	36	
LD 100 80	80				•	24	
LD 100 100	100				•	24	
LD 100 120	120				•	24	
LD 100 140	140				•	16	
LD 130 100	130		100			•	16

LFD series Insulated wiring duct



Dimensions

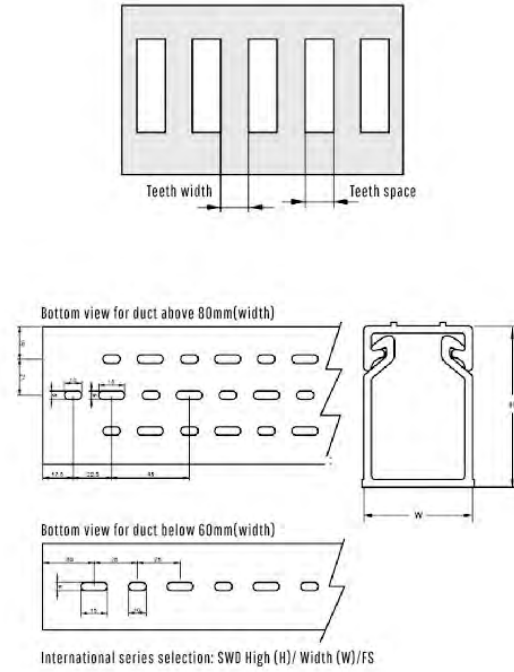


Wide slot/finger	Dimension		Teeth space-Teeth width(mm)			Package
	Model No.	Height(mm)	Width (mm)	4-6	6-8	
LFD 80 25	80	25			•	60
LFD 80 35		35			•	60
LFD 80 40		40			•	48
LFD 80 45		45			•	48
LFD 80 50		50			•	48
LFD 80 60		60			•	36
LFD 80 80		80			•	36
LFD 80 100		100			•	24
LFD 80 120		120			•	24
LFD 100 33		100	33			•
LFD 100 35	35				•	48
LFD 100 40	40				•	48
LFD 100 50	50				•	48
LFD 100 60	60				•	36
LFD 100 80	80				•	24
LFD 100 100	100				•	24
LFD 100 120	120				•	24

KFD series Insulated wiring duct



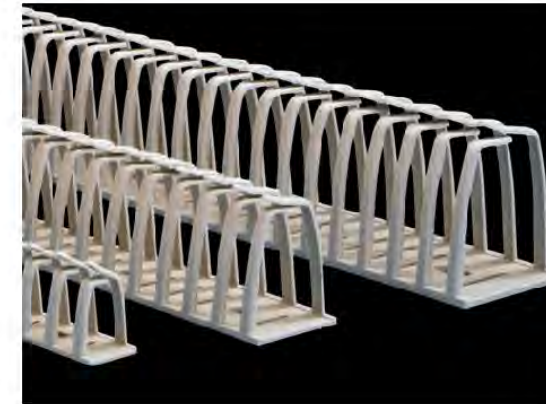
Dimensions



Wide slot/finger	Dimension		Teeth space-Teeth width(mm)			Package
	Model No.	Height(mm)	Width (mm)	6-6	6-8	
KFD 60 40	60	40	•			64
KFD 60 60		60	•			48
KFD 60 80		80	•			36
KFD 100 30	100	35			•	48
KFD 100 40		40			•	48
KFD 100 50		50			•	48
KFD 100 60		60			•	36
KFD 100 80		80			•	24
KFD 100 100		100			•	24
KFD 100 120		120			•	24
KFD 100 140		140			•	24
KFD 150 100		150	100			•



LK type Flexible trunking

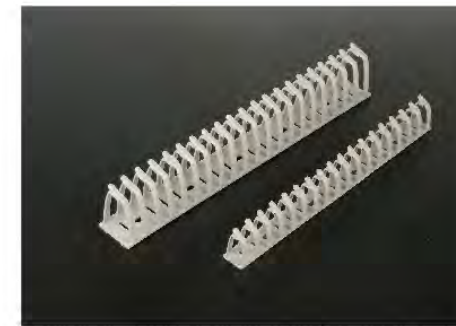


Overview

LK-FLEX Duct is a unique product offering from LINKWELL, that is a flexible, resilient and efficient harnessing solution to your wiring needs. For wiring to cabinet doors, from control panels and for electronic equipment. For that part of the cable run that leans against the side of the control cabinet.

- In view of the flexibility of the material individual wires can easily be added, or removed from total wires within the duct.
- Since Dinosaur has no cover it can accommodate cable in restricted space applications, and also effectively removes the need for cable ties.
- It can be used in extreme operating conditions (high temperature resistance up to 176°F) and has excellent resistance to radiation if exposed to a nuclear environment.
- LK-FLEX withstands mechanical stress when installed (i.e. earthquake, falling equipment) while in the event of the fire does not emit corrosive, nor toxic gases, and smoke development is minimal.
- The duct can be cut to desired length using scissors or knife. When applying the LK-FLEX with adhesive tape, it is necessary to make sure that the surface is perfectly clean and dry.

Flexible ducts self-adhesive
Material: polypropylene
Color: gray RAL 7030



Flexible trunking

Model	Dimension		
	Width (mm)	Height(mm)	length (cm)
LK-20	17	25	50
LK-30	30	40	50

FD Round slim type



Round slim type

Round slim type

Material: NYLON66(Grey)

Model	Dimension		
	Width (mm)	Height(mm)	length (cm)
FD-20	20.4	14.4	50
FD-30	29	24.9	50
FD-40	39	36	50

MKD series Insulated wiring duct



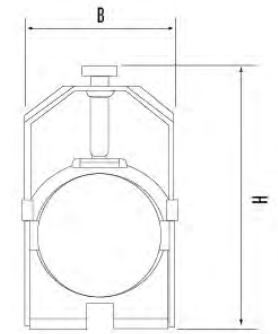
Wide slot/finger Model No.	Dimension		Package meter
	Height(mm)	Width (mm)	
MKD 25 25	25	25	100
MKD 30 20	30	20	100
MKD 30 35		35	100
MKD 30 30		30	100
MKD 30 35		35	100
MKD 35 35	35	35	100
MKD 40 25	40	25	100
MKD 40 40		40	80
MKD 40 60		60	60
MKD 50 25	50	25	100
MKD 50 35		35	100
MKD 50 45		45	80
MKD 50 50		50	80
MKD 50 60		60	64
MKD 50 80		80	48
MKD 60 40	60	40	64
MKD 60 60		60	48
MKD 60 80		80	36
MKD 65 33	65	33	80
MKD 65 45		45	80
MKD 65 65		65	48
MKD 80 25	80	25	60
MKD 80 35		35	60
MKD 80 40		40	48
MKD 80 45		45	48
MKD 80 50		50	48
MKD 80 60		60	36
MKD 80 80		80	36
MKD 80 100		100	24
MKD 80 120		120	24
MKD 100 35		100	35
MKD 100 40	40		48
MKD 100 50	50		48
MKD 100 60	60		36
MKD 100 80	80		24
MKD 100 100	100		24
MKD 100 120	120		24
MKD 100 140	140		24
MKD 130 100	130	100	24
MKD 150 100	150	100	16



Cover			Model: KB-Width
Model No.	Model No.	Model No.	Model No.
KB-15	KB-35	KB-60	KB-120
KB-20	KB-40	KB-65	KB-140
KB-25	KB-45	KB-80	KB-535
KB-30	KB-50	KB-100	
KB-33	KB-55		

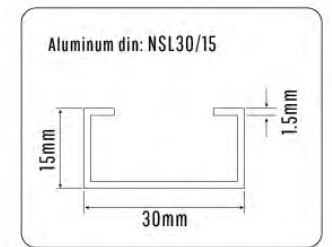
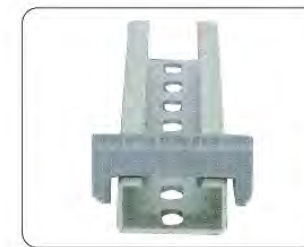


BK Cable clamp series



Model No		Cable diameter Φ (mm)	Dimensional (mm)	
Galvanized steel	Stainless steel		B	H
BK14	BK14E	6-12	21	70
BK18	BK18 E	12-18	23	70
BK22	BK22 E	18-22	27	75
BK30	BK30 E	22-30	39	85
BK38	BK38 E	30-38	45	90
BK42	BK42E	38-42	47	95
BK50	BK50E	42-50	57	120
BK64	BK64 E	50-64	70	130
BK70	BK70 E	64-72	77	165
BK80	BK80 E	72-82	87	183
BK100	BK100 E	95-102	108	217

C type DIN rail adaptor



UZ series Cable clamp



UZ

Fix the cable on the cable clamp orbit by plastic pad.

Model	Diameter mm	Model	Diameter mm
UZ6-12	6-12	UZ30-34	30-34
UZ12-16	12-16	UZ34-38	34-38
UZ14-18	14-18	UZ38-42	38-42
UZ18-22	18-22	UZ42-46	42-46
UZ22-26	22-26	UZ46-50	46-50
UZ26-30	26-30		

US series Cable clamp



US8/US3/US1

It could tightly clutch different cable on the bottom of the case. It is used together with a cable leading bar.

Model	Diameter mm	Cable Number
US8	13	8
US3	21	3
US1	47	1

IF001 Adhesive tape for panel



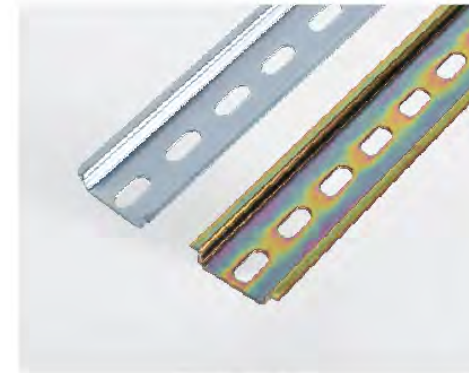
IF001-16x3 / 5 / 7

IF001-16x3	IF001-16x5	IF001-16x7

TS series DIN rail



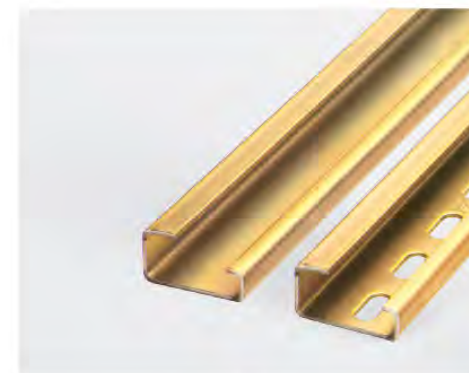
TS 15/5.5



TS 35/7.5



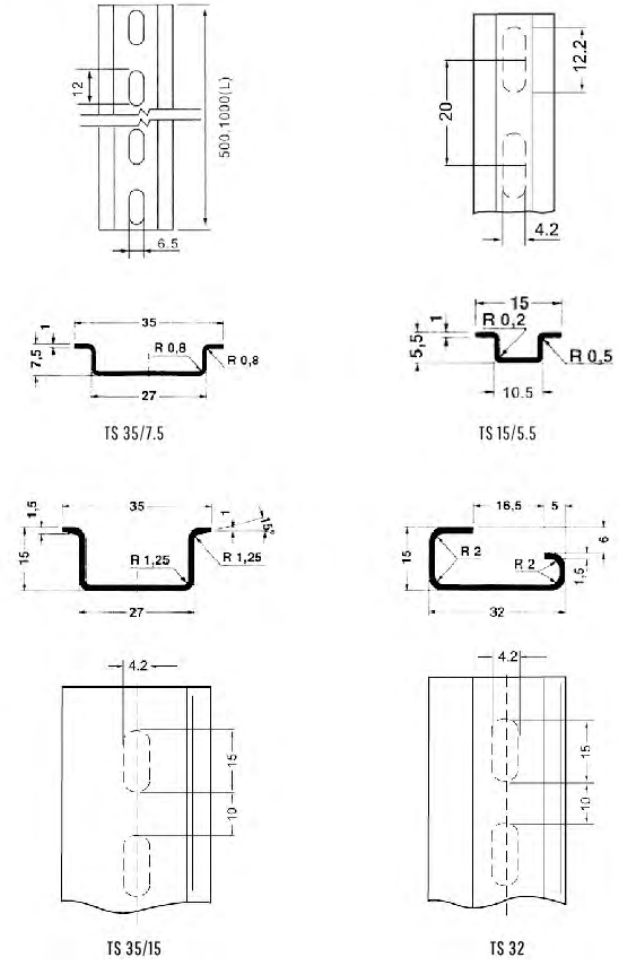
TS 35/15



TS 32

The installing guide is designed according to the new Europe standard EN 50 022, EN 50 035, EN50 045. It has a precise height, strict tolerance, fine surface and good finish. The steel guide has been zinc-plated and yellow processed. For the convenience of installing and making holes, there is a line printed on the center of guide which also exists on the aluminum and copper guide. Length and can be with round hole, long hole or trough.

Dimensions



Product description

TS 15/5.5 According to 50 045-15x5mm
Made of steel, yellow, without hole length: 2m
NS 15/5.5 without hole

TS 35/7.5 According to EN 50 022-35x7.5mm
Made of steel, yellow, without hole length: 2m
TS 35/7.5 without hole

TS 35/15 According to EN 50 022-35x15mm
Made of steel, yellow, without hole length: 2m
TS 35/15 without hole

TS 32 According to EN 50 035-G 32
Made of steel, yellow, without hole length: 2m
TS 32 without hole

Aluminum DIN rail and accessories



Aluminum DIN rail

- AL 35/15 thickness : 1.5mm
- AL 35/7.5 thickness : 1.1mm or 1.5mm
- AL 30/15 thickness : 1mm or 2mm



AL 35/7.5

AL 30/15

DIN rail retainer TST2/TST3/TSTW

Thickness : 2mm

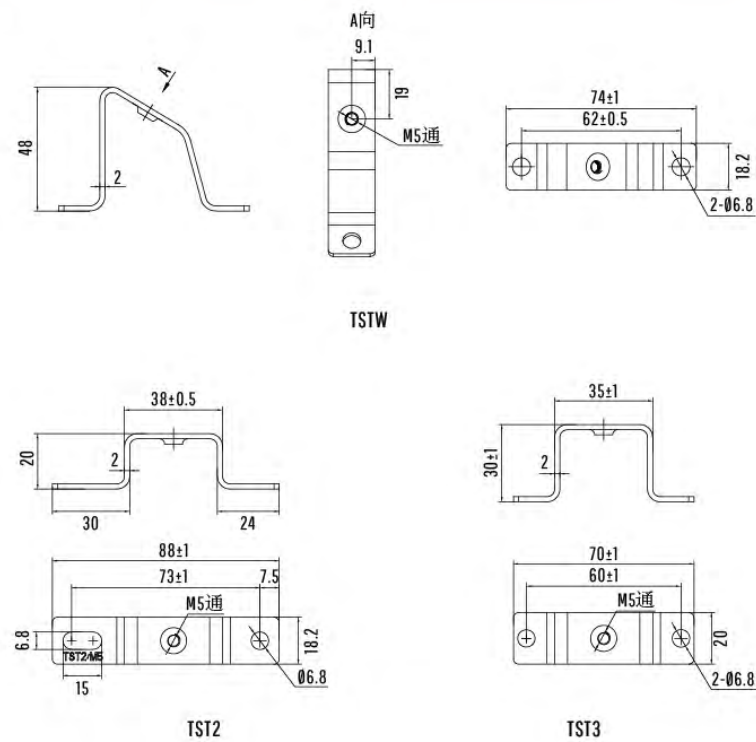


TST3

TST2

TSTW

Dimensions



Wiring duct / DIN rail cutter



LKWC-001

LKWC-001 wiring duct cutter

Used to cut wiring duct and cover, Max available width: 125mm.
High strength cutting blade, anti-abrasion.
High efficient, free of burrs after cutting.



LKDC-002

LKDC-002 Standard Din Rail Cutter

Used for: Din Rail 35(W)×7.5(H)×1.0(T)mm or 35(W)×15(H)×1.5(T)mm, customizable for other size Din Rail.
Use Method and Notes:

- Lift the handle, insert the Din Rail into the matching cavity, make it vertical to the cavity surface at the same time and Din Rail will go through, press the handle, Din Rail will be cut off.
- Choose the flat ground during the operation, it ensures the cutter base bear stress evenly and reduces the stress on cavity.



LKDC-003

LKDC-003 Bench Type Din Rail Cutter

This cutter needs to be installed on a workbench, it can cut any size Din Rail with the assistance of a measure gauge. Humanization design, no need to bend over when operate it. Use Method and Notes:

- Lift the handle, insert the Din Rail into the matching cavity, make it vertical to the cavity surface at the same time and Din Rail will go through, press the handle, Din Rail will be cut off.
- Choose the flat ground during the operation, it ensures the cutter base bear stress evenly and reduces the stress on cavity.
- This cutter needs to be installed in the workbench, which also makes cutting guide rail more relaxed, no longer need to bend over for a long time to work, humanized design.