

Bright and Uniform

GEN NEXT LED

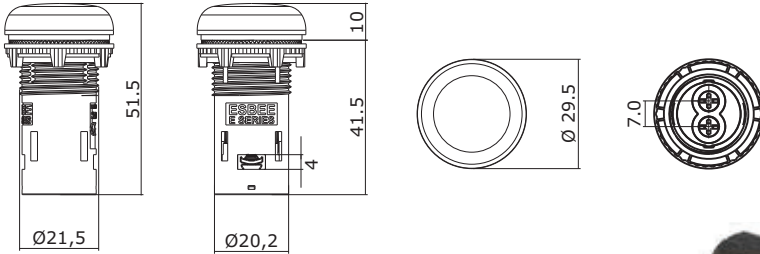
INDICATORS

- Gen Next LED Indicator with SMD LED technology.
- Special fire retardant plastic .
- Inbuilt LVGP (Low Voltage Glow Protection).
- Operating life more than 0.1 million burning hrs. continuous sound model with 80db output.
- Withstand 2kV surge test & passes 1.5kV HV test for 60 seconds.
- Inbuilt IP20 protection for terminals & IP 65.
- Can be fitted in 30 mm dia with additional accessories.



Gen Next Led Indicators

Panel Cutout 22.5 mm



Colour	Voltage	Part No.
	12V AC/DC	EILY012C
	24V AC/DC	EILY024C
	30V AC/DC	EILY030C
	48V AC/DC	EILY048C
	64V AC/DC	EILY064C
	110V AC	EILY110A
	110V DC	EILY110D
	240V AC	EILY240A
	220V DC	EILY220D
	415V AC	EILY415A



Colour	Voltage	Part No.
	12V AC/DC	EILR012C
	24V AC/DC	EILR024C
	30V AC/DC	EILR030C
	48V AC/DC	EILR048C
	64V AC/DC	EILR064C
	110V AC	EILR110A
	110V DC	EILR110D
	240V AC	EILR240A
	220V DC	EILR220D
	415V AC	EILR415A



Colour	Voltage	Part No.
	12V AC/DC	EILA012C
	24V AC/DC	EILA024C
	30V AC/DC	EILA030C
	48V AC/DC	EILA048C
	64V AC/DC	EILA064C
	110V AC	EILA110A
	110V DC	EILA110D
	240V AC	EILA240A
	220V DC	EILA220D
	415V AC	EILA415A

Colour	Voltage	Part No.
	12V AC/DC	EILG012C
	24V AC/DC	EILG024C
	30V AC/DC	EILG030C
	48V AC/DC	EILG048C
	64V AC/DC	EILG064C
	110V AC	EILG110A
	110V DC	EILG110D
	240V AC	EILG240A
	220V DC	EILG220D
	415V AC	EILG415A



Colour	Voltage	Part No.
	12V AC/DC	EILW012C
	24V AC/DC	EILW024C
	30V AC/DC	EILW030C
	48V AC/DC	EILW048C
	64V AC/DC	EILW064C
	110V AC	EILW110A
	110V DC	EILW110D
	240V AC	EILW240A
	220V DC	EILW220D
	415V AC	EILW415A

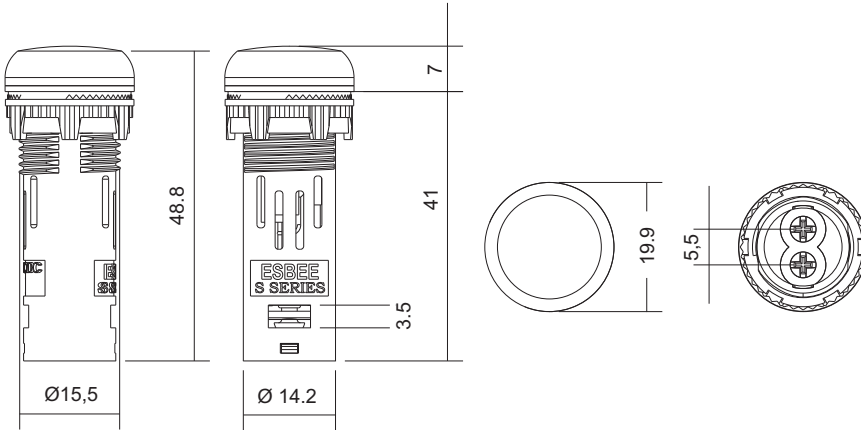
Colour	Voltage	Part No.
	12V AC/DC	EILB012C
	24V AC/DC	EILB024C
	30V AC/DC	EILB030C
	48V AC/DC	EILB048C
	64V AC/DC	EILB064C
	110V AC	EILB110A
	110V DC	EILB110D
	240V AC	EILB240A
	220V DC	EILB220D
	415V AC	EILB415A



Colour	Voltage	Part No.
	12V AC/DC	EILC012C
	24V AC/DC	EILC024C
	30V AC/DC	EILC030C
	48V AC/DC	EILC048C
	64V AC/DC	EILC064C
	110V AC	EILC110A
	110V DC	EILC110D
	240V AC	EILC240A
	220V DC	EILC220D
	415V AC	EILC415A

All dimensions are in mm

Panel Cutout 16 mm



Colour	Voltage	Part No.
●	12V AC/DC	SILR012C
	24V AC/DC	SILR024C
	48V AC/DC	SILR048C
	64V AC/DC	SILR064C
	110V AC/DC	SILR110C
	240V AC	SILR240A



Colour	Voltage	Part No.
●	12V AC/DC	SILA012C
	24V AC/DC	SILA024C
	48V AC/DC	SILA048C
	64V AC/DC	SILA064C
	110V AC/DC	SILA110C
	240V AC	SILA240A



Colour	Voltage	Part No.
●	12V AC/DC	SILG012C
	24V AC/DC	SILG024C
	48V AC/DC	SILG048C
	64V AC/DC	SILG064C
	110V AC/DC	SILG110C
	240V AC	SILG240A



Colour	Voltage	Part No.
●	12V AC/DC	SILW012C
	24V AC/DC	SILW024C
	48V AC/DC	SILW048C
	64V AC/DC	SILW064C
	110V AC/DC	SILW110C
	240V AC	SILW240A

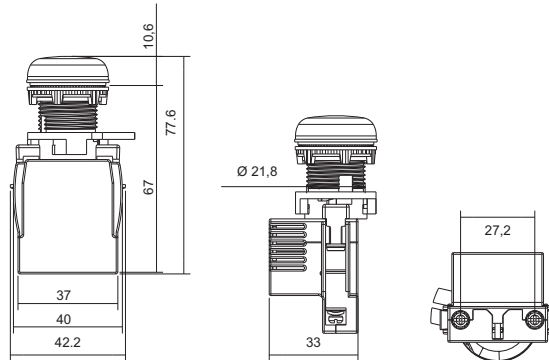


Colour	Voltage	Part No.
●	12V AC/DC	SILB012C
	24V AC/DC	SILB024C
	48V AC/DC	SILB048C
	64V AC/DC	SILB064C
	110V AC/DC	SILB110C
	240V AC	SILB240A



Colour	Voltage	Part No.
●	12V AC/DC	SILY012C
	24V AC/DC	SILY024C
	48V AC/DC	SILY048C
	64V AC/DC	SILY064C
	110V AC/DC	SILY110C
	240V AC	SILY240A

Panel Cutout 22.5 mm - Universal/Multi-Voltage



Colour	Voltage	Part No.
●	24 TO 240V AC/DC	EG0100LR224C
	40 TO 240V AC/DC	EG0100LR424C

Colour	Voltage	Part No.
●	24 TO 240V AC/DC	EG0100LY224C
	40 TO 240V AC/DC	EG0100LY424C

Colour	Voltage	Part No.
●	24 TO 240V AC/DC	EG0100LG224C
	40 TO 240V AC/DC	EG0100LG424C

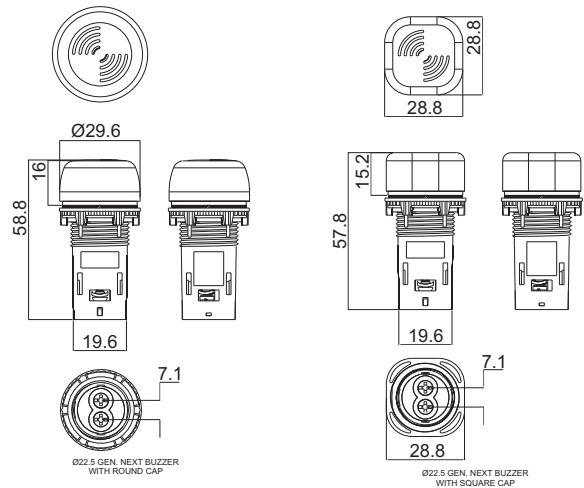
Colour	Voltage	Part No.
●	24 TO 240V AC/DC	EG0100LA224C
	40 TO 240V AC/DC	EG0100LA424C

Colour	Voltage	Part No.
●	24 TO 240V AC/DC	EG0100LB224C
	40 TO 240V AC/DC	EG0100LB424C

COLOUR	VOLTAGE	PART NO.
●	24 TO 240V AC/DC	EG0100LW224C
	40 TO 240V AC/DC	EG0100LW424C

Panel Mounting Buzzer

Panel Cutout 22.5 mm



Colour	Voltage	Part No.	
		ROUND TYPE	SQUARE TYPE
●	12V AC/DC	EG15R00C012C	EG15S00C012C
	24V AC/DC	EG15R00C024C	EG15S00C024C
	30V AC/DC	EG05R00C030C	EG05S00C030C
	48V AC/DC	EG15R00C048C	EG15S00C048C
	64V AC/DC	EG15R00C064C	EG15S00C064C
	110V AC	EG15R00C110A	EG15S00C110A
	240V AC	EG15R00C240A	EG15S00C240A

All dimensions are in mm

Technical Specifications

Product	16 mm Gen Next LED Indicators	22.5 mm Gen Next LED Indicators
Rated Voltage	12V AC/DC, 24V AC/DC, 30V AC/DC, 48V AC/DC, 64V AC/DC, 110V AC/DC, 240V AC	12V AC/DC, 24V AC/DC, 30V AC/DC, 48V AC/DC, 64V AC/DC, 110 VAC, 110 V DC 240 VAC, 220V DC 415V AC
Operating Voltage	-20% to +10% of rated voltage	-20% to +10% of rated voltage
Type of LED	SMD LEDs	SMD LEDs
Available Colours	Red/Green/Yellow/Amber/Blue/White	Red/Green/Yellow/Amber/Blue/White/Clear
Life	0.1 million burning hour	0.1 million burning hour
Operating Frequency	50 / 60 Hz	50 / 60 Hz
Operating Temperature	-25°C to 65°C	-25°C to 65°C
Storage Temperature	-30°C to 70°C	-30°C to 70°C
Wire Termination Capacity	0.5 mm ² , 1.5 mm ²	0.5mm ² , 1.5 - 2.5 mm ²
Terminal Torque	0.8 Nm	0.8 Nm
LVGP	Available	Available
Surge Test	2kV	2kV
HV test for 60 sec.	1.5kV	1.5kV
Degree of Protection	Above panel : IP65 For terminals : IP20	Above panel : IP65 For terminals : IP20
International Approvals	CE	CE, UL

Technical Specifications

Panel Mounted Buzzer

Product	Panel Mounted Buzzer
Rated Voltage	12V AC/DC, 24V AC/DC, 30V AC/DC, 48V AC/DC, 63.5V AC/DC, 110V AC, 240V AC
Operating Voltage	-20% to + 10% of rated voltage
SPL (Sound Pressure Level)	>80dB
Colour	Black
Life	>0.01 million burning Hrs.
Operating Frequency	50/60 Hz
Operating Temperature	-25°C to 65°C
Storage Temperature	-30°C to 70°C
Wire Termination Capacity	Min 0.5 mm ² , 1.5 - 2.5 mm ²
Terminal Torque	0.8 Nm
Surge Test	2kV
Hv Test for 60 sec.	2.5kV
Operating Frequency	Above Panel : IP 55 For Terminal : IP20
International Approval	CE