

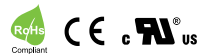


## Universal/Multi-Voltage- Panel Cutout 22.5 mm



Voltage	Part No.	Part No.	Part No.	Part No.	Part No.	Part No.
24 TO 240V AC/DC	EG0100LR224C	EG0100LG224C	EG0100LB224C	EG0100LY224C	EG0100LA224C	EG0100LW224C
40 TO 240V AC/DC	EG0100LR424C	EG0100LG424C	EG0100LB424C	EG0100LY424C	EG0100LA424C	EG0100LW424C

## Panel Cutout 16 mm



Voltage	Part No.	Part No.	Part No.	Part No.	Part No.	Part No.
12V AC/DC	SILR012C	SILG012C	SILB012C	SILY012C	SILA012C	SILW012C
24V AC/DC	SILR024C	SILG024C	SILB024C	SILY024C	SILA024C	SILW024C
48V AC/DC	SILR048C	SILG048C	SILB048C	SILY048C	SILA048C	SILW048C
64V AC/DC	SILR064C	SILG064C	SILB064C	SILY064C	SILA064C	SILW064C
110V AC/DC	SILR110C	SILG110C	SILB110C	SILY110C	SILA110C	SILW110C
240V AC	SILR240A	SILG240A	SILB240A	SILY240A	SILA240A	SILW240A

## Panel Cutout 10 mm



Voltage	Part No.	Part No.	Part No.
24V AC/DC	BILR024D	BILG024D	BILB024D
Voltage	Part No.	Part No.	Part No.
24V AC/DC	BILY024D	BILA024D	BILW024D

Note: Also available in 5V DC/12V DC

## Panel Mounting Buzzer (Panel Cutout 22.5 mm)

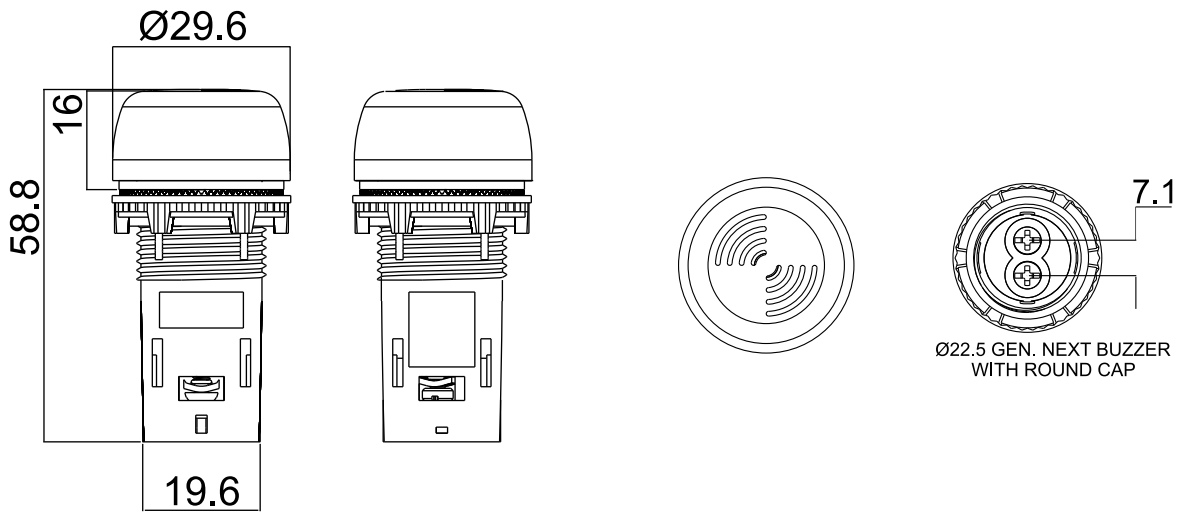


Colour	Voltage	Part No.
	12V AC/DC	EG15R00C012C
	24V AC/DC	EG15R00C024C
	30V AC/DC	EG05R00C030C
	48V AC/DC	EG15R00C048C
	64V AC/DC	EG15R00C064C
	110V AC	EG15R00C110A
	240V AC	EG15R00C240A
	24V-240V AC/DC (Universal/Multi-Voltage)	EG15R00C224C

Note: Please refer page no. 55 To 57 for drawings and technical specifications



## Panel Mounted Buzzer



Test Parameters	Specification
Product	Panel Mounted Buzzer
Rated Voltage	12V AC/DC, 24V AC/DC, 30V AC/DC, 48V AC/DC, 63.5V AC/DC, 110V AC, 240V AC
Operating Voltage	-20% to + 10% of rated voltage
SPL (Sound Pressure Level)	>80dB
Colour	Black
Life / Warranty	>0.01 Million burning hours/24 months*
Operating Frequency	50/60 Hz
Operating Temperature	-25°C to 65°C
Storage Temperature	-30°C to 70°C
Wire Termination Capacity	Min. 0.5 mm <sup>2</sup> , 1.5 - 2.5 mm <sup>2</sup>
Terminal Torque	0.8 Nm
Surge Test	2kV
Hv Test for 60 sec.	2.5kV
Degree of Protection	Above Panel: IP55 For Terminal: IP20
International Approval	CE, UL

\* To be used in standard environmental conditions.