



## Led Indicators

### PRO Led Indicators



Panel Cutout 22.5 mm



### Features

Best in class Illumination

SMD LED cluster technology

Inbuilt low voltage glow protection

Power consumption less than 1W

IP65, IP20

Witstand 2KV surge & passes 2.5KV HV test for 60 seconds

Voltage	Part No.	Part No.	Part No.	Part No.	Part No.	Part No.	Part No.
12V AC/DC	EPLR012C	EPLG012C	EPLB012C	EPLY012C	EPLA012C	EPLW012C	EPLC012C
24V AC/DC	EPLR024C	EPLG024C	EPLB024C	EPLY024C	EPLA024C	EPLW024C	EPLC024C
30V AC/DC	EPLR030C	EPLG030C	EPLB030C	EPLY030C	EPLA030C	EPLW030C	EPLC030C
48V AC/DC	EPLR048C	EPLG048C	EPLB048C	EPLY048C	EPLA048C	EPLW048C	EPLC048C
64V AC/DC	EPLR064C	EPLG064C	EPLB064C	EPLY064C	EPLA064C	EPLW064C	EPLC064C
110V AC	EPLR110A	EPLG110A	EPLB110A	EPLY110A	EPLA110A	EPLW110A	EPLC110A
110V DC	EPLR110D	EPLG110D	EPLB110D	EPLY110D	EPLA110D	EPLW110D	EPLC110D
240V AC	EPLR240A	EPLG240A	EPLB240A	EPLY240A	EPLA240A	EPLW240A	EPLC240A
220V DC	EPLR220D	EPLG220D	EPLB220D	EPLY220D	EPLA220D	EPLW220D	EPLC220D
415V AC	EPLR415A	EPLG415A	EPLB415A	EPLY415A	EPLA415A	EPLW415A	EPLC415A

### Gen Next Led Indicators



Panel Cutout 22.5 mm



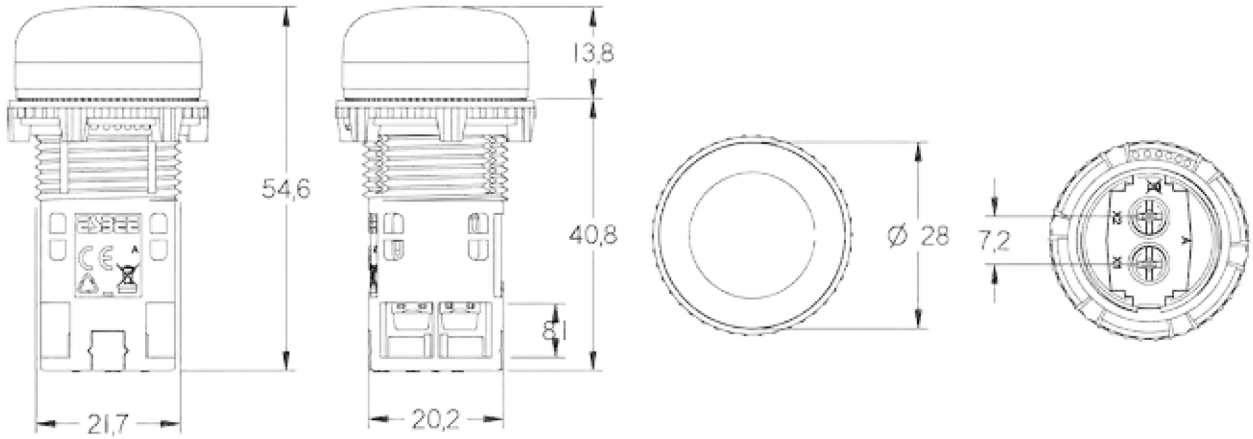
Voltage	Part No.	Part No.	Part No.	Part No.	Part No.	Part No.	Part No.
12V AC/DC	EILR012C	EILG012C	EILB012C	EILY012C	EILA012C	EILW012C	EILC012C
24V AC/DC	EILR024C	EILG024C	EILB024C	EILY024C	EILA024C	EILW024C	EILC024C
30V AC/DC	EILR030C	EILG030C	EILB030C	EILY030C	EILA030C	EILW030C	EILC030C
48V AC/DC	EILR048C	EILG048C	EILB048C	EILY048C	EILA048C	EILW048C	EILC048C
64V AC/DC	EILR064C	EILG064C	EILB064C	EILY064C	EILA064C	EILW064C	EILC064C
110V AC	EILR110A	EILG110A	EILB110A	EILY110A	EILA110A	EILW110A	EILC110A
110V DC	EILR110D	EILG110D	EILB110D	EILY110D	EILA110D	EILW110D	EILC110D
240V AC	EILR240A	EILG240A	EILB240A	EILY240A	EILA240A	EILW240A	EILC240A
220V DC	EILR220D	EILG220D	EILB220D	EILY220D	EILA220D	EILW220D	EILC220D
415V AC	EILR415A	EILG415A	EILB415A	EILY415A	EILA415A	EILW415A	EILC415A

Note: Please refer page no. 54 & 55 For drawings and technical specifications



# Technical Specifications

Pro Led Indicators



Test Parameters	Specification
Product	Pro LED Indicator
Rated Voltage	12V AC/DC, 24V AC/DC, 30V AC/DC, 48V AC/VDC, 64 V AC/DC, 110 VAC, 110VDC, 240 VAC, 220VDC, 415VAC
Operating Voltage	-20% to +10% of rated voltage
Type of LED	SMD LED
Available Colours	Red / Green / Blue / Yellow / Amber / White / Clear
Life / Warranty	0.5 Million burning hours/36 Months*
Operating Frequency	50/60 Hz
Operating Temperature	-25°C to 65°C
Storage Temperature	-30°C to 70°C
Wire Termination Capacity	0.5 mm <sup>2</sup> , 1.5 mm <sup>2</sup> - 2.5 mm <sup>2</sup>
LED Arrangement	Cluster Type
Terminal Torque	1 Nm
LVGP	Available
Surge Test	2KV
Hv Test for 60 sec.	2.5KV
Degree of Protection	Above Panel: IP65 For Terminals: IP20
International Approvals	CE

\* To be used in standard environmental conditions.