

Ready to use Solution

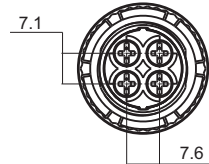
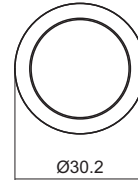
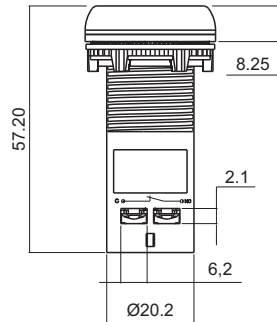
GEN NEXT ENTEGRAL PUSH BUTTONS

- Compact and Unique design.
- Ready to use solution for OEM & Panel Builders.
- Isolated terminals for NO+NC Application.
- Current rating of 6A at 240V AC.
- IP 20 terminal Protection & IP 65.
- Electrical operation 0.5 million at rated voltage, mechanical life of 1 million operations.



Entegral Actuator

Flush Head



Colour	Contact	Part No.
	1NO	EE1RFD1
	1NC	EE2RFD1
	1NO+1NC	EE3RFD1
	2NO	EE4RFD1
	2NC	EE5RFD1

Colour	Contact	Part No.
	1NO	EE1GFD1
	1NC	EE2GFD1
	1NO+1NC	EE3GFD1
	2NO	EE4GFD1
	2NC	EE5GFD1

Colour	Contact	Part No.
	1NO	EE1BFD1
	1NC	EE2BFD1
	1NO+1NC	EE3BFD1
	2NO	EE4BFD1
	2NC	EE5BFD1

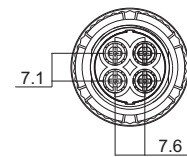
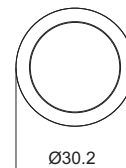
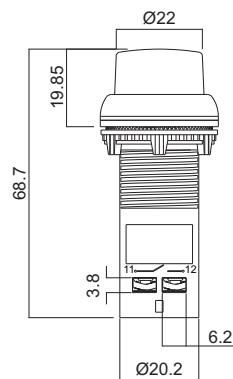
Colour	Contact	Part No.
	1NO	EE1YFD1
	1NC	EE2YFD1
	1NO+1NC	EE3YFD1
	2NO	EE4YFD1
	2NC	EE5YFD1

Colour	Contact	Part No.
	1NO	EE1AFD1
	1NC	EE2AFD1
	1NO+1NC	EE3AFD1
	2NO	EE4AFD1
	2NC	EE5AFD1

Colour	Contact	Part No.
	1NO	EE1WFD1
	1NC	EE2WFD1
	1NO+1NC	EE3WFD1
	2NO	EE4WFD1
	2NC	EE5WFD1

Colour	Contact	Part No.
	1NO	EE1CFD1
	1NC	EE2CFD1
	1NO+1NC	EE3CFD1
	2NO	EE4CFD1
	2NC	EE5CFD1

Projection Head Push Function



Colour	Contact	Part No.
	1NO	EE1RPD1
	1NC	EE2RPD1
	1NO+1NC	EE3RPD1
	2NO	EE4RPD1
	2NC	EE5RPD1

Colour	Contact	Part No.
	1NO	EE1GPD1
	1NC	EE2GPD1
	1NO+1NC	EE3GPD1
	2NO	EE4GPD1
	2NC	EE5GPD1

Colour	Contact	Part No.
	1NO	EE1BPD1
	1NC	EE2BPD1
	1NO+1NC	EE3BPD1
	2NO	EE4BPD1
	2NC	EE5BPD1

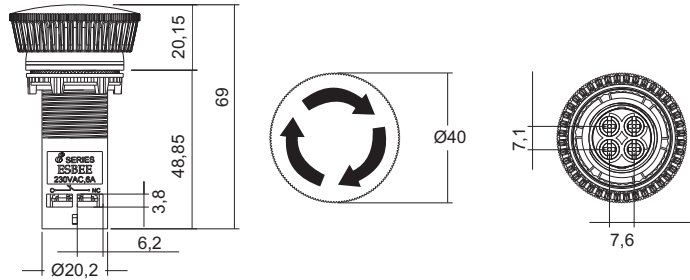
Colour	Contact	Part No.
	1NO	EE1YPD1
	1NC	EE2YPD1
	1NO+1NC	EE3YPD1
	2NO	EE4YPD1
	2NC	EE5YPD1

Colour	Contact	Part No.
	1NO	EE1APD1
	1NC	EE2APD1
	1NO+1NC	EE3APD1
	2NO	EE4APD1
	2NC	EE5APD1

Colour	Contact	Part No.
	1NO	EE1WPD1
	1NC	EE2WPD1
	1NO+1NC	EE3WPD1
	2NO	EE4WPD1
	2NC	EE5WPD1

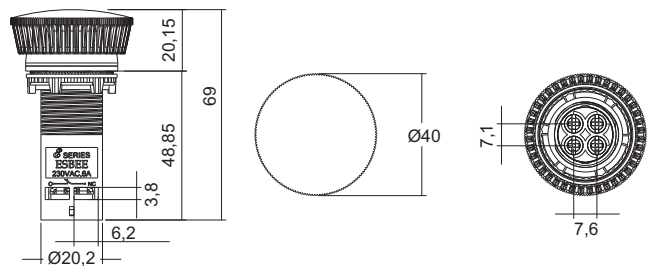
Colour	Contact	Part No.
	1NO	EE1CPD1
	1NC	EE2CPD1
	1NO+1NC	EE3CPD1
	2NO	EE4CPD1
	2NC	EE5CPD1

Mushroom Head Push Turn



Colour	Contact	Part No.	Colour	Contact	Part No.	Colour	Contact	Part No.	Colour	Contact	Part No.
●	1NO	EE1RMH1	●	1NO	EE1GMH1	●	1NO	EE1YMH1	●	1NO	EE1CMH1
	1NC	EE2RMH1		1NC	EE2GMH1		1NC	EE2YMH1		1NC	EE2CMH1
	1NO+1NC	EE3RMH1		1NO+1NC	EE3GMH1		1NO+1NC	EE3YMH1		1NO+1NC	EE3CMH1
	2NO	EE4RMH1		2NO	EE4GMH1		2NO	EE4YMH1		2NO	EE4CMH1
	2NC	EE5RMH1		2NC	EE5GMH1		2NC	EE5YMH1		2NC	EE5CMH1

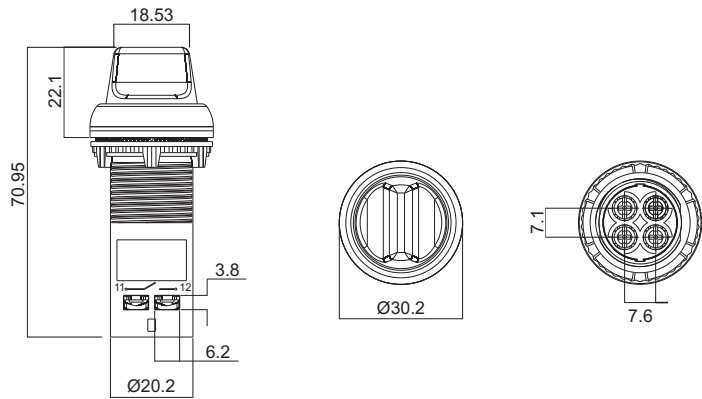
Mushroom Head Push Function



Colour	Contact	Part No.	Colour	Contact	Part No.	Colour	Contact	Part No.	Colour	Contact	Part No.
●	1NO	EE1RMD1	●	1NO	EE1GMD1	●	1NO	EE1YMD1	●	1NO	EE1CMD1
	1NC	EE2RMD1		1NC	EE2GMD1		1NC	EE2YMD1		1NC	EE2CMD1
	1NO+1NC	EE3RMD1		1NO+1NC	EE3GMD1		1NO+1NC	EE3YMD1		1NO+1NC	EE3CMD1
	2NO	EE4RMD1		2NO	EE4GMD1		2NO	EE4YMD1		2NO	EE4CMD1
	2NC	EE5RMD1		2NC	EE5GMD1		2NC	EE5YMD1		2NC	EE5CMD1

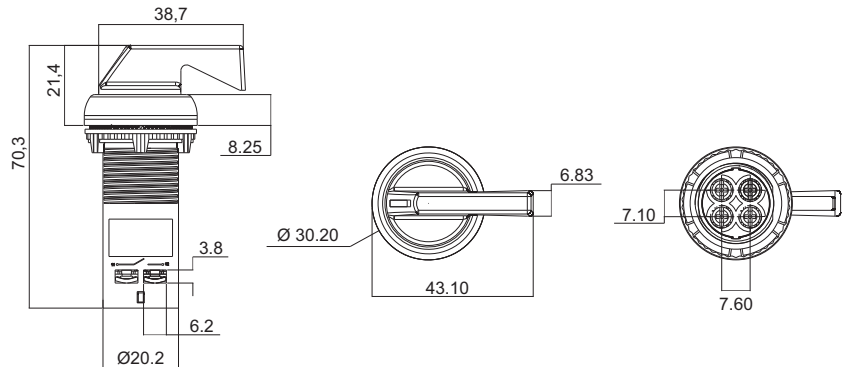
All dimensions are in mm

Symmetric Head



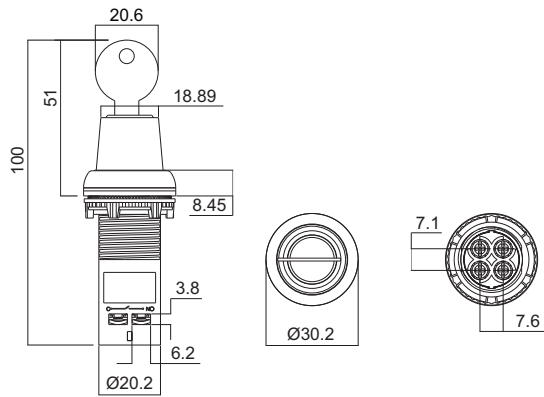
Colour	Contact	Part No.					
		2 POSITION		3 POSITION			
		NSR	SR	NSR	SR	SR L.H.	SR R.H.
●	1NO	EE1CSK1	EE1CSI1	EE1CSL1	EE1CSJ1	EE1CSM1	EE1CSN1
	1NC	EE2CSK1	EE2CSI1	EE2CSL1	EE2CSJ1	EE2CSM1	EE2CSN1
	1NO+1NC (LEFT NO)	EE3CSK1	EE3CSI1	EE3CSL1	EE3CSJ1	EE3CSM1	EE3CSN1
	2NO	EE4CSK1	EE4CSI1	EE4CSL1	EE4CSJ1	EE4CSM1	EE4CSN1
	2NC	EE5CSK1	EE5CSI1	EE5CSL1	EE5CSJ1	EE5CSM1	EE5CSN1
	1NO+1NC (RIGHT NO)	EE6CSK1	EE6CSI1	EE6CSL1	EE6CSJ1	EE6CSM1	EE6CSN1

Lever Head



Colour	Contact	Part No.					
		2 POSITION		3 POSITION			
		NSR	SR	NSR	SR	SR L.H.	SR R.H.
●	1NO	EE1CLK1	EE1CLI1	EE1CLL1	EE1CLJ1	EE1CLM1	EE1CLN1
	1NC	EE2CLK1	EE2CLI1	EE2CLL1	EE2CLJ1	EE2CLM1	EE2CLN1
	1NO+1NC (LEFT NO)	EE3CLK1	EE3CLI1	EE3CLL1	EE3CLJ1	EE3CLM1	EE3CLN1
	2NO	EE4CLK1	EE4CLI1	EE4CLL1	EE4CLJ1	EE4CLM1	EE4CLN1
	2NC	EE5CLK1	EE5CLI1	EE5CLL1	EE5CLJ1	EE5CLM1	EE5CLN1
	1NO+1NC (RIGHT NO)	EE6CLK1	EE6CLI1	EE6CLL1	EE6CLJ1	EE6CLM1	EE6CLN1

Lock and Key



Colour	Contact	Part No.					
		2 POSITION		3 POSITION			
		NSR	SR	NSR	SR	SR L.H.	SR R.H.
●	1NO	EE1CCK1	EE1CKI1	EE1CKL1	EE1CKJ1	EE1CKM1	EE1CKN1
	1NC	EE2CCK1	EE2CKI1	EE2CKL1	EE2CKJ1	EE2CKM1	EE2CKN1
	1NO+1NC (LEFT NO)	EE3CCK1	EE3CKI1	EE3CKL1	EE3CKJ1	EE3CKM1	EE3CKN1
	2NO	EE4CCK1	EE4CKI1	EE4CKL1	EE4CKJ1	EE4CKM1	EE4CKN1
	2NC	EE5CCK1	EE5CKI1	EE5CKL1	EE5CKJ1	EE5CKM1	EE5CKN1
	1NO+1NC (RIGHT NO)	EE6CCK1	EE6CKI1	EE6CKL1	EE6CKJ1	EE6CKM1	EE6CKN1

Note : *In 2 position selector actuator, for operating style  replace 6th digit from K to R and for operating style  replace 6th digit from K to T.

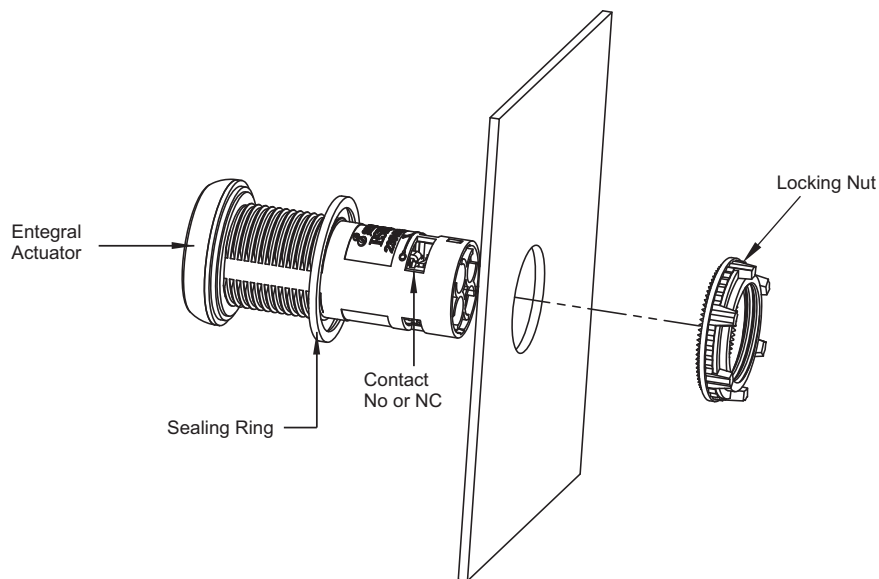
*Colours Available- Red, Green, Yellow, White/Opal, Blue, Amber, Black.

All dimensions are in mm

Technical Specifications

Utilization Category	Supply	IEC - 60947 - 5-1	UL - 508	ITH/Thermal Current
	AC	AC-15	A600	10A
	DC	DC-13	P300	
Contact	NO and NC			
Rated Voltage	230V AC	120V AC	24V DC	
Rated Current	6A	6A	1.5A	
Frequency	50 - 60 Hz			
Electrical Life for Contact	0.5 million Cycle			
HV Test for 60 Sec	2.5KV (All Terminals Shorted Together)			
Rated insulation Voltage	600 VAC			
Terminals	Suitable for flexible or solid conductors from 2x1 mm ² to 2x2.5 mm ²			
Current Carrying Material	Brass			
Contact Type	Make & Break			
Contact Material	AgNi			
Insulation Resistance at 500 VDC	50 M Ω			
Operating Torque	0.8 Nm			
Contact Resistance	20 M Ω			
MV drop at 16 A DC	200 MV			
Type	Non Illuminated			
Function	Push, Push - Push, Push turn, Selector			
Colour	RED/GREEN/BLACK/YELLOW/WHITE/BLUE/AMBER			
Disposition of Contact				

Exploded view of Entegral Actuator



UL Correlation sheet for Gen Next Entegral Actuator

Mushroom Head Push Function	
Esbee CAT NO.	UL CAT NO.
EE1RMD1	EE02MD1R
EE1GMD1	EE02MD1G
EE1YMD1	EE02MD1Y
EE1CMD1	EE02MD1C
EE2RMD1	EE02MD2R
EE2GMD1	EE02MD2G
EE2YMD1	EE02MD2Y
EE2CMD1	EE02MD2C
EE3RMD1	EE02MD3R
EE3GMD1	EE02MD3G
EE3YMD1	EE02MD3Y
EE3CMD1	EE02MD3C
EE4RMD1	EE02MD4R
EE4GMD1	EE02MD4G
EE4YMD1	EE02MD4Y
EE4CMD1	EE02MD4C
EE5RMD1	EE02MD5R
EE5GMD1	EE02MD5G
EE5YMD1	EE02MD5Y
EE5CMD1	EE02MD5C

Mushroom Head Push Turn	
Esbee CAT NO.	UL CAT NO.
EE1RMH1	EE02MH1R
EE1GMH1	EE02MH1G
EE1YMH1	EE02MH1Y
EE1CMH1	EE02MH1C
EE2RMH1	EE02MH2R
EE2GMH1	EE02MH2G
EE2YMH1	EE02MH2Y
EE2CMH1	EE02MH2C
EE3RMH1	EE02MH3R
EE3GMH1	EE02MH3G
EE3YMH1	EE02MH3Y
EE3CMH1	EE02MH3C
EE4RMH1	EE02MH4R
EE4GMH1	EE02MH4G
EE4YMH1	EE02MH4Y
EE4CMH1	EE02MH4C
EE5RMH1	EE02MH5R
EE5GMH1	EE02MH5G
EE5YMH1	EE02MH5Y
EE5CMH1	EE02MH5C

Lock & Key 2 Position	
Esbee CAT NO.	UL CAT NO.
EE1CKK1	EE02KK1C
EE1CKR1	EE02KR1C
EE1CKI1	EE02KI1C
EE2CKK1	EE02KK2C
EE2CKR1	EE02KR2C
EE2CKI1	EE02KI2C
EE3CKK1	EE02KK3C
EE3CKR1	EE02KR3C
EE3CKI1	EE02KI3C
EE4CKK1	EE02KK4C
EE4CKR1	EE02KR4C
EE4CKI1	EE02KI4C
EE5CKK1	EE02KK5C
EE5CKR1	EE02KR5C
EE5CKI1	EE02KI5C

Lock & Key 3 Position	
Esbee CAT NO.	UL CAT NO.
EE3CKL1	EE02KL3C
EE3CKJ1	EE02KJ3C
EE6CKL1	EE02KL6C
EE6CKJ1	EE02KJ6C
EE4CKL1	EE02KL4C
EE4CKJ1	EE02KJ4C
EE5CKL1	EE02KL5C
EE5CKJ1	EE02KJ5C

All dimensions are in mm

UL Correlation sheet for Gen Next Entegral Actuator

Flush Head	
Esbee CAT NO.	UL CAT NO.
EE1RFD1	EE02FD1R
EE1GFD1	EE02FD1G
EE1YFD1	EE02FD1Y
EE1CFD1	EE02FD1C
EE1BFD1	EE02FD1B
EE1WFD1	EE02FD1W
EE1AFD1	EE02FD1A
EE2RFD1	EE02FD2R
EE2GFD1	EE02FD2G
EE2YFD1	EE02FD2Y
EE2CFD1	EE02FD2C
EE2BFD1	EE02FD2B
EE2WFD1	EE02FD2W
EE2AFD1	EE02FD2A
EE3RFD1	EE02FD3R
EE3GFD1	EE02FD3G
EE3YFD1	EE02FD3Y
EE3CFD1	EE02FD3C
EE3BFD1	EE02FD3B
EE3WFD1	EE02FD3W
EE3AFD1	EE02FD3A
EE4RFD1	EE02FD4R
EE4GFD1	EE02FD4G
EE4YFD1	EE02FD4Y
EE4CFD1	EE02FD4C
EE4BFD1	EE02FD4B
EE4WFD1	EE02FD4W
EE4AFD1	EE02FD4A
EE5RFD1	EE02FD5R
EE5GFD1	EE02FD5G
EE5YFD1	EE02FD5Y
EE5CFD1	EE02FD5C
EE5BFD1	EE02FD5B
EE5WFD1	EE02FD5W
EE5AFD1	EE02FD5A

Projecting Head Push Function	
Esbee CAT NO.	UL CAT NO.
EE1RPD1	EE02PD1R
EE1GPD1	EE02PD1G
EE1YPD1	EE02PD1Y
EE1CPD1	EE02PD1C
EE1BPD1	EE02PD1B
EE1WPD1	EE02PD1W
EE1APD1	EE02PD1A
EE2RPD1	EE02PD2R
EE2GPD1	EE02PD2G
EE2YPD1	EE02PD2Y
EE2CPD1	EE02PD2C
EE2BPD1	EE02PD2B
EE2WPD1	EE02PD2W
EE2APD1	EE02PD2A
EE3RPD1	EE02PD3R
EE3GPD1	EE02PD3G
EE3YPD1	EE02PD3Y
EE3CPD1	EE02PD3C
EE3BPD1	EE02PD3B
EE3WPD1	EE02PD3W
EE3APD1	EE02PD3A
EE4RFD1	EE02PD4R
EE4GFD1	EE02PD4G
EE4YFD1	EE02PD4Y
EE4CFD1	EE02PD4C
EE4BFD1	EE02PD4B
EE4WFD1	EE02PD4W
EE4AFD1	EE02PD4A
EE5RFD1	EE02PD5R
EE5GFD1	EE02PD5G
EE5YFD1	EE02PD5Y
EE5CFD1	EE02PD5C
EE5BFD1	EE02PD5B
EE5WFD1	EE02PD5W
EE5AFD1	EE02PD5A

Symmetric Head 2 Position	
Esbee CAT NO.	UL CAT NO.
EE1CSK1	EE02SK1C
EE1CSR1	EE02SR1C
EE1CSI1	EE02SI1C
EE2CSK1	EE02SK2C
EE2CSR1	EE02SR2C
EE2CSI1	EE02SI2C
EE3CSK1	EE02SK3C
EE3CSR1	EE02SR3C
EE3CSI1	EE02SI3C
EE4CSK1	EE02SK4C
EE4CSR1	EE02SR4C
EE4CSI1	EE02SI4C
EE5CSK1	EE02SK5C
EE5CSR1	EE02SR5C
EE5CSI1	EE02SI5C
EE4CMD1	EE02MD4C
EE5RMD1	EE02MD5R
EE5GMD1	EE02MD5G
EE5YMD1	EE02MD5Y
EE5CMD1	EE02MD5C

Symmetric Head 3 Position	
Esbee CAT NO.	UL CAT NO.
EE6CSL1	EE02SL6C
EE6CSJ1	EE02SJ6C
EE4CSL1	EE02SL4C
EE4CSJ1	EE02SJ4C
EE5CSL1	EE02SL5C
EE5CSJ1	EE02SJ5C

Lever Head 2 Position	
Esbee CAT NO.	UL CAT NO.
EE1CLK1	EE02LK1C
EE1CLI1	EE02LI1C
EE2CLK1	EE02LK2C
EE2CLI1	EE02LI2C
EE3CLK1	EE02LK3C
EE3CLI1	EE02LI3C
EE4CLK1	EE02LK4C
EE4CLI1	EE02LI4C
EE5CLK1	EE02LK5C
EE5CLI1	EE02LI5C

Lever Head 3 Position	
Esbee CAT NO.	UL CAT NO.
EE3CLL1	EE02LL3C
EE3CLJ1	EE02LJ3C
EE6CLL1	EE02LL6C
EE6CLJ1	EE02LJ6C
EE4CLL1	EE02LL4C
EE4CLJ1	EE02LJ4C
EE5CLL1	EE02LL5C
EE5CLJ1	EE02LJ5C