

## Compact size 5\*10/100Base-TX Industrial Ethernet Switch

LT-IS3005F-5TX-M-AD



### Features:

- 5\*10/100Base-TX RJ45 ports
- AC 15-40V, DC 12~36V input, redundant power supply with polarity reverse/over-voltage protection
- Support 10K Bytes Jumbo frame
- Support 4KV surge protection and ESD: Air-15kV, Contact-8kV Protection
- IP40 fan-less and Din-rail hardware design
- Operation temperature: -40 °C ~+75°C

### Overview

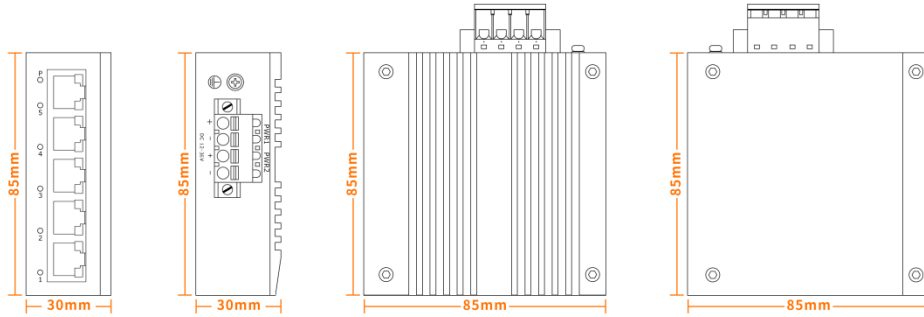
The SmartByte LT-IS3005F-5TX-M is the compact size unmanaged industrial grade Ethernet switch with 5-port 10/100Base-TX RJ45. It is also a high cost-effective easy-to-use device, which provides essential industrial Ethernet networking function, such as wide range power input 12-36VDC, redundant power design with polarity reverse/over-voltage protection, robust IP40 fan-less housing with Din-rail installation, wide operation temperature from -40 °C ~+75°C as well as high-level EMI/EMC capability and so on. It is the best choice for heavy industrial field where installation space are limited and restricted

## Technical specification

<b>Model No.</b>	LT-IS3005F-5TX-M-AD	
<b>Interface</b>	Fiber port	Copper RJ45 ports
	0	5
<b>Ethernet</b>	5*10/100Base-TX RJ45	
<b>Standard</b>	IEEE 802.3 10Base-T Ethernet IEEE 802.3u Fast Ethernet IEEE 802.3x Full-Duplex Flow Control IEEE 802.3az Energy Efficient Ethernet	
<b>LED Indicators</b>	P(Power indicator) Green	Off: the device is power off or failed
		On: the device power on is normal
	1-5(Copper ports) Green Link/act indicators	Off: ports link down
		On: ports link up
		Blinking: data on TX/RX
<b>Power parameters</b>		
Input voltage	15-40VAC, 12-36VDC, redundant power input	
Input current	0.5A Max	
Total power consumption	Full loading ≤4W	
Connector	Removable 5-pin terminal block	
Reverse polarity protection	Support	
Over-voltage protection	Support	
<b>Switching features</b>		
Switching capacity	1G	
Packet forwarding rate	0.744 Mpps	
MAC address table	2K	
VLAN	4K	
Buffer	2K	
Forwarding delay	<10us	
Jumbo Frame	Support 2Kbytes	
MDX/MIDX	Support	

Watchdog	Support
<b>Network Topology</b>	
Star topology	Support
Bus topology	Support
Tree Topology	Support
<b>Mechanical structure</b>	
Case protection	IP40
Installation method	Din-rail
Dimension(W*D*H)mm	30*85*85mm
Weight	0.4 kg
<b>Operating environment</b>	
Operating temperature	-40°C~+ 75°C
Storage/transportation temperature	-40°C~+85°C
Relative humidity	5%~95% (non-condensing)
<b>Industrial Standard</b>	Surge protection of power: IEC 61000-4-5 Level 3 (4KV/2KV) (8/20us)
	Surge protection of Ethernet ports: IEC 61000-4-5 Level 3 (4KV/2KV) (10/700us)
	ESD: IEC 61000-4-2 Level 4 (8K/15K)
	Shock: IEC 60068-2-27
	Free fall: IEC 60068-2-32
	Vibration: IEC 60068-2-6
<b>Certification</b>	CCC/CE/FCC/RoHS
<b>Warranty</b>	5 years

## Structure diagram



## Order information

Model	Description
LT-IS3005F-5TX-M	Compact size 5-port 10/100Base-TX RJ45 industrial Ethernet switch , DC12-36V input, redundant dual power supply. Operation temperature: $-40^{\circ}\text{C} \sim +75^{\circ}\text{C}$