

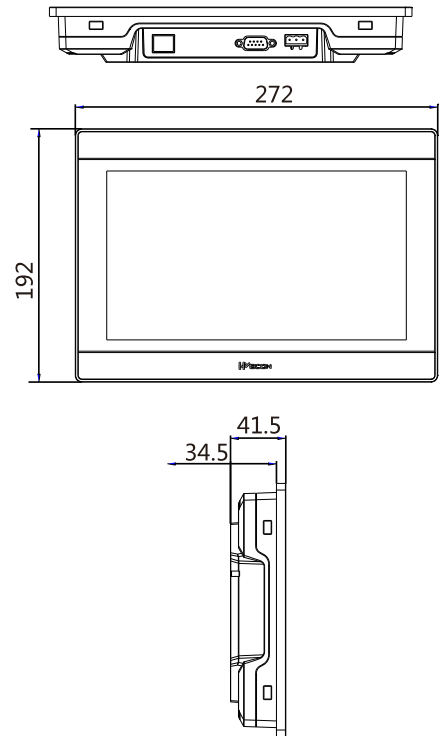
## SPECIFICATIONS

## OVERVIEW

	Model	PI3102i
Main	OS	Linux 4.9.11 QT based
	Processor	Cortex A7 528MHz
	Size	10.2"
Display	Screen	TFT
	Resolution	1024*600
	Color	16,000k colors
	Brightness (cd/m <sup>2</sup> )	300.0
	Backlight	LED
	Backlight Lifetime	50,000 hours
	Touch Panel	High precision four-wire resistive
Storage	Memory	128 MB
	Flash	128 MB
	SD Card Slot	--
	USB Port	USB2.0 Host + USB2.0 Client
RTC	Real-time clock	Yes
	Calendar	Yes
	COM1	CN1:RS422/RS485 CN2: RS232
	COM2	--
I/O Port	COM3	--
	Ethernet	x1
	CANopen	--
	Wi-Fi	--
Power	4G LTE	--
	Rated Power	< 10W
	Power Voltage	DC 24V
	Input range	DC 12 ~ 28V
Enclosure	Shell Color	Grey
	Shell Material	PC+ABS
	Overall Size (mm)	272.0W*190.0H*41.5D
	Mounting Size (mm)	260.0W*179.0H
	Mounting Method	Panel Mount
	Weight (Kg)	1.31
Environment	Working Temperature	-10 ~ 60°C
	Storage Temperature	-20 ~ 70°C
	Humidity	10 ~ 85%RH (Non-condensing)
	Vibration Resistance	17 ~ 25 Hz (X, Y, Z direction 2G/30 minutes)
Software	Cooling	Air Cooling
	Programming	PIStudio
	Remote Access	--
	Email Alarm	--
	IP Camera	--
	Audio Output	--
Certificates	Video Player	--
	IP Code	IP65 (Front panel)
	CE	CE Marked
	FCC	FCC Class A
	UL	--



## DIMENSION



## SOFTWARE

