









Panel Cutout 16 mm



CE c **UL** us

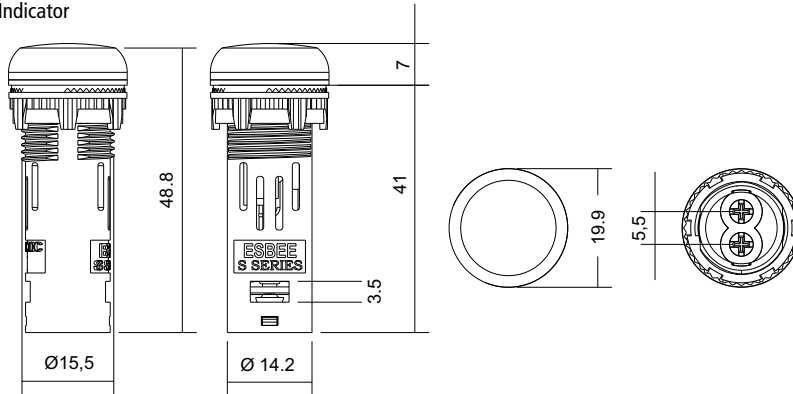


Voltage	Part No.	Part No.	Part No.	Part No.	Part No.	Part No.
						
12V AC/DC	SILR012C	SILG012C	SILB012C	SILY012C	SILA012C	SILW012C
24V AC/DC	SILR024C	SILG024C	SILB024C	SILY024C	SILA024C	SILW024C
48V AC/DC	SILR048C	SILG048C	SILB048C	SILY048C	SILA048C	SILW048C
64V AC/DC	SILR064C	SILG064C	SILB064C	SILY064C	SILA064C	SILW064C
110V AC/DC	SILR110C	SILG110C	SILB110C	SILY110C	SILA110C	SILW110C
240V AC	SILR240A	SILG240A	SILB240A	SILY240A	SILA240A	SILW240A

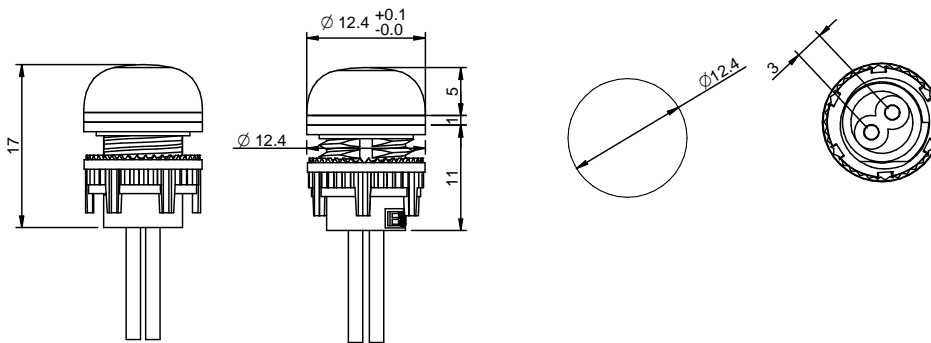


16 mm Gen Next LED Indicators

16 mm Indicator



10 mm Indicator



Test Parameters	Specification
Product	16 mm Gen Next LED Indicators
Rated Voltage	12V AC/DC, 24V AC/DC, 30V AC/DC, 48V AC/DC, 64V AC/DC, 110V AC/DC, 240V AC
Operating Voltage	-20% to +10% of rated voltage
Type of LED	SMD LED
Available Colours	Red / Green / Yellow / Amber / Blue / White
Life / Warranty	0.5 Million burning hours/36 month*
Operating Frequency	50 / 60 Hz
Operating Temperature	-25°C to 65°C
Storage Temperature	-30°C to 70°C
Wire Termination Capacity	0.5 mm ² , 1.5 mm ²
Terminal Torque	0.8 Nm
LVGP	Available
Surge Test	2kV
HV test for 60 sec.	1.5kV
Degree of Protection	Above panel: IP65 For terminals: IP20
LED Arrangement	Cluster Type
International Approvals	CE, UL

* To be used in standard environmental conditions.