

# UK207/211/215 Distribution terminal blocks

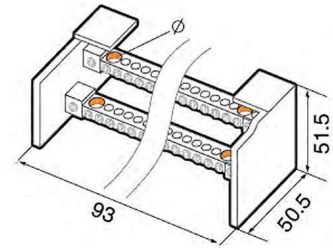


CE RoHS

**UK 207** 125A 500V

Dimensional drawing

Solid core lead multistrand lead (mm<sup>2</sup>)  
 1.5-6mm<sup>2</sup>; 6-16mm<sup>2</sup>  
 For type  
 Size : L×H×W/93×51.5×50.5mm  
 Flame retardant : UL94-V0  
 Terminals per pole : 2 pole



Metric system	** Or common jumper wire.	mm <sup>2</sup>	mm <sup>2</sup>		Ø		I(N.m)
		10...35	10...35	×1	9.5		6-7
		2.5...6	1.5...6	×5	5.5		2-3
		10...25	6...16	×1	7.5		2-3

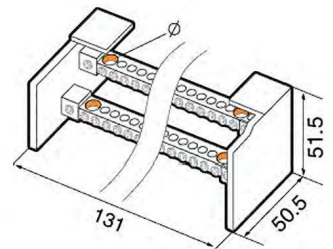


CE RoHS

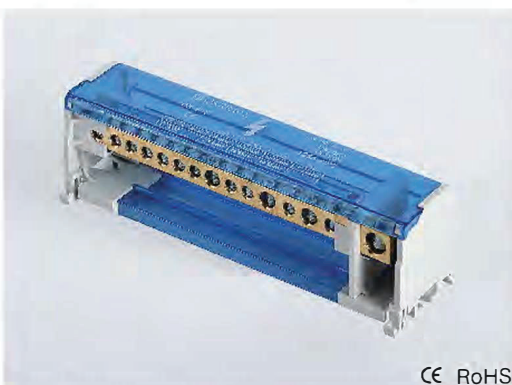
**UK 211** 125A 500V

Dimensional drawing

Solid core lead multistrand lead (mm<sup>2</sup>)  
 1.5-6mm<sup>2</sup>; 6-16mm<sup>2</sup>; 10-16mm<sup>2</sup>;  
 10-25mm<sup>2</sup>; 10-35mm<sup>2</sup>  
 For type  
 Size : L×H×W/131×51.5×50.5mm  
 Flame retardant : UL94-V0  
 Terminals per pole : 2 pole



Metric system	** Or common jumper wire.	mm <sup>2</sup>	mm <sup>2</sup>		Ø		I(N.m)
		10...35	10...25	×1	8.5		2-3
		1.5...4	0.75...4	×7	4.5		1.2-1.5
		2.5...6	1.5...6	×3	5.5		2-3

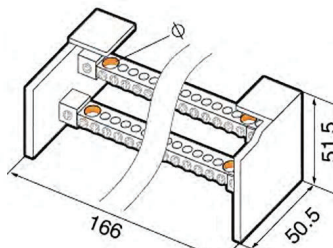


CE RoHS

**UK 215** 125A 500V

Dimensional drawing

Solid core lead multistrand lead (mm<sup>2</sup>)  
 1.5-6mm<sup>2</sup>; 6-16mm<sup>2</sup>; 2.5-6mm<sup>2</sup>;  
 10-25mm<sup>2</sup>; 10-35mm<sup>2</sup>  
 For type  
 Size : L×H×W/166×51.5×50.5mm  
 Flame retardant : UL94-V0  
 Terminals per pole : 2 pole



Metric system	** Or common jumper wire.	mm <sup>2</sup>	mm <sup>2</sup>		Ø		I(N.m)
		10...35	10...25	×1	8.5		2-3
		1.5...4	0.75...4	×11	4.5		1.2-1.5
		2.5...6	1.5...6	×3	5.5		2-3

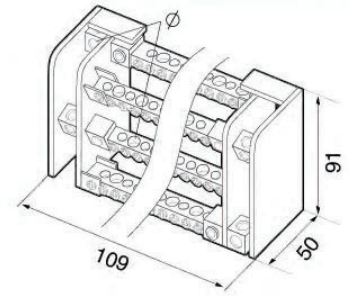


CE RoHS

## UK 407 125A 500V

Solid core lead multistrand lead (mm\*)  
 1.5-6mm<sup>2</sup>; 6-16mm<sup>2</sup>; 2.5-6mm<sup>2</sup>; 10-25mm<sup>2</sup>  
 For type  
 Size : L×H×W/109×91×50mm  
 Flame retardant : UL94-V0  
 Terminals per pole : 4 pole

### Dimensional drawing



Metric system	** Or common jumper wire.	mm <sup>2</sup>	mm <sup>2</sup>		∅		I(N.m)
		10...35	10...35	×1	9.5		6-7
		2.5...6	1.5...6	×5	5.5		2-3
		10...25	6...16	×1	7.5		2-3

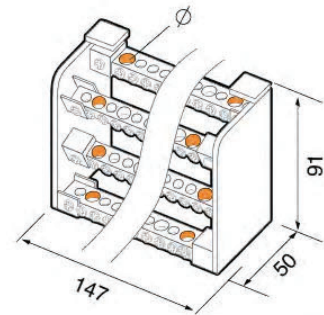


CE RoHS

## UK 411 125A 500V

Solid core lead multistrand lead (mm\*)  
 1.5-6mm<sup>2</sup>; 6-16mm<sup>2</sup>; 10-16mm<sup>2</sup>;  
 10-25mm<sup>2</sup>; 10-35mm<sup>2</sup>  
 For type  
 Size : L×H×W/147×91×50mm  
 Flame retardant : UL94-V0  
 Terminals per pole : 4 pole

### Dimensional drawing



Metric system	** Or common jumper wire.	mm <sup>2</sup>	mm <sup>2</sup>		∅		I(N.m)
		10...35	10...25	×1	8.5		2-3
		1.5...4	0.75...4	×7	4.5		1.2-1.5
		2.5...6	1.5...6	×3	5.5		2-3

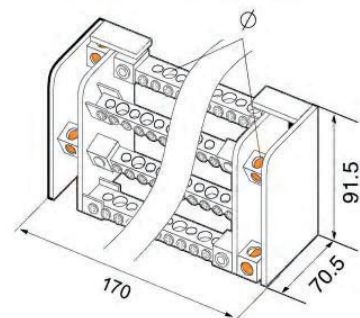


CE RoHS

## UK 412 160A 500V

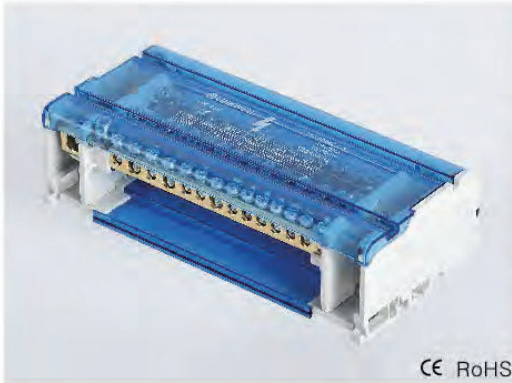
Solid core lead multistrand lead (mm\*)  
 1.5-6mm<sup>2</sup>; 6-16mm<sup>2</sup>; 2.5-6mm<sup>2</sup>;  
 10-25mm<sup>2</sup>; 10-35mm<sup>2</sup>  
 For type  
 Size : L×H×W/170×91.5×70.5mm  
 Flame retardant : UL94-V0  
 Terminals per pole : 4 pole

### Dimensional drawing



Metric system	** Or common jumper wire.	mm <sup>2</sup>	mm <sup>2</sup>		∅		I(N.m)
		10...50	10...25	×1	12		8-10
		10...35	10...25	×3	8.5		2-3
		2.5...16	1.5...16	×8	7		2-3

# UK415 Distribution terminal blocks

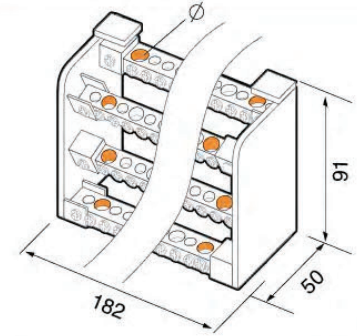


CE RoHS

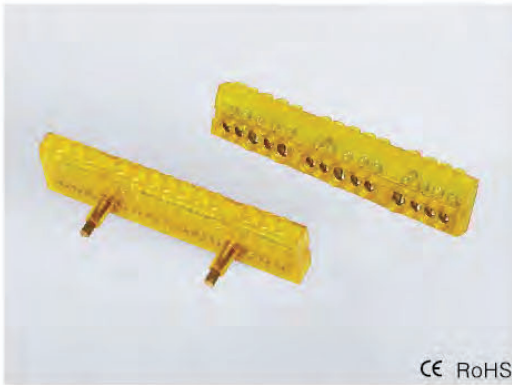
**UK 415 125A 500V**

- Solid core lead multistrand lead (mm\*)
- 1.5-6mm<sup>2</sup>; 6-16mm<sup>2</sup>; 2.5-6mm<sup>2</sup>;
- 10-25mm<sup>2</sup>; 10-35mm<sup>2</sup>
- For type
- Size: L×H×W/182×91×50mm
- Flame retardant: UL94-V0
- Terminals per pole: 4 pole

Dimensional drawing



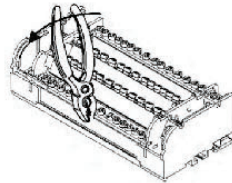
Metric system	** Or common jumper wire.	mm <sup>2</sup>	mm <sup>2</sup>		∅	(N.m)
		10...35	10...25	×1	8.5	
		1.5...4	0.75...4	×11	4.5	
		2.5...6	1.5...6	×3	5.5	



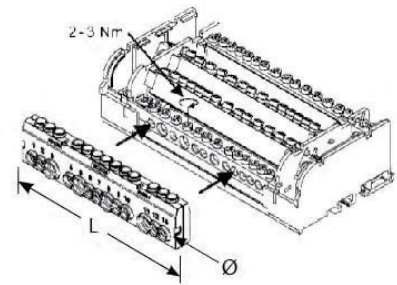
CE RoHS

**Neutral wire 125A/160A**

- Improved wire connectivity
- Direct electrical connection
- Reliable and safe mounting
- Transparent cover



Dimensional drawing



NB 125 A I = 125 A IEC · I<sub>cw</sub> kA rms 1s : 4,5 · IPk kA : 30

	mm <sup>2</sup>	mm <sup>2</sup>		∅	(N.m)
	10-25	6-16	×3	7.5	
	2,5-6	1,5-6	×9	5.5	

NB 160 A I = 160 A IEC · I<sub>cw</sub> kA rms 1s : 6.2 · IPk kA : 35

	mm <sup>2</sup>	mm <sup>2</sup>		∅	(N.m)
	10-35	10-25	×4	8,5	
	2,5-16	1,5-16	×10	7.2	