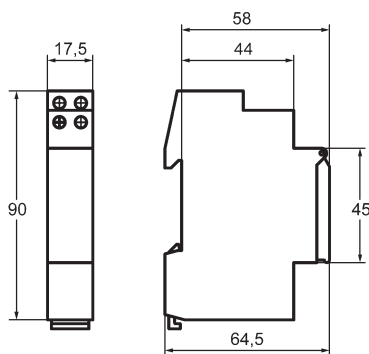




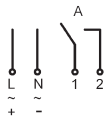
- Daily program
- Slim format 17.5 mm
- Captive setting keys
- Manual override switch
- Permanently ON / AUTO

**Highlights**

- Easy programming with captive setting keys
- Easy to read switching program
- Manual override switch Permanently ON / AUTO
- Simple to install



111 120 / 114 120



**Analogue Time Switches 111 120 / 114 120 for DIN-rail mounting**

Technical data	
<b>Voltages</b>	230 V, 50–60 Hz
<b>Power consumption</b> (real power)	0.4 W
<b>Switch</b> (potential-free)	Normally open, gap < 3 mm (μ)
<b>Contact material</b>	AgCdO
<b>Switching capacity</b>	16 A / 250 V~ at cosφ=1 2.5 A with inductive load cosφ=0.6 max. filament lamp load 2000 W
<b>Min. switching power</b>	120 mW (12 V / 100 mA)
<b>Minimum switching interval</b>	15 min.
<b>Time base</b>	Quartz
<b>Power back-up</b> (at 20°C)	approx. 100 h.
<b>Accuracy</b> (at 20°C)	≤ ±1.5 sec./day
<b>Permitted ambient temperature</b>	-5°...+50°C
<b>Enclosure</b>	self-extinguishing thermoplastic
<b>Dimensions</b>	45 x 17.5 x 58 mm
<b>DIN-rail mounting</b>	35 mm section rail (DIN EN 60715)
<b>Type of connection</b>	Screw terminals
<b>Type of protection</b>	IP 20 to DIN EN 60529
<b>Class of protection</b>	II when installed according to regulations

Order number	Version
paladin 111 120	Day without reserve
paladin 114 120	Day with reserve
▾ Housing colour	